

Multipole Cable Assembly Kitset – Custom Breakaway



<http://www.casa.co.nz>

01/12/15

Type: **11MS4P-21MS4S+11MS4P-PE**

MS3101 Class E



MS3106 Class E



MS3100 Class E



MS3102 Class A/E/R



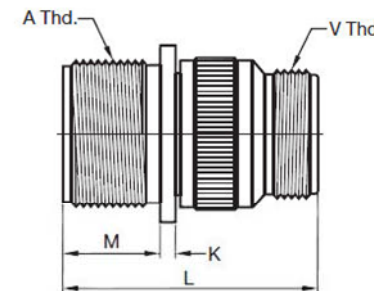
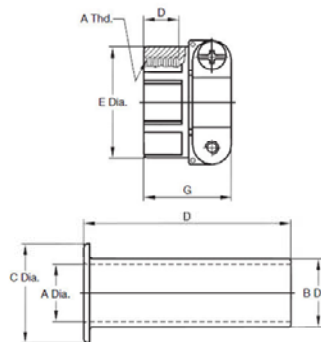
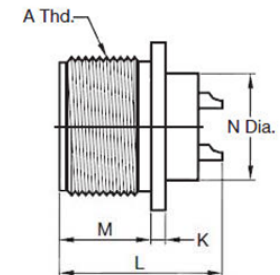
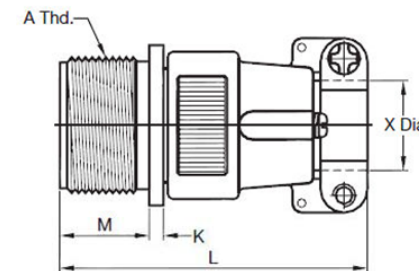
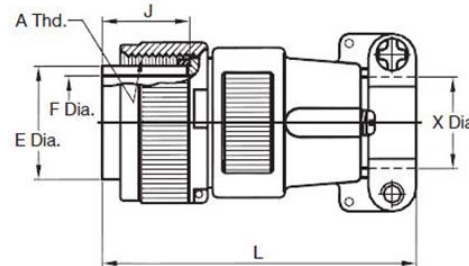
Refer to original maker's drawings and specifications for full details on each item

General Connector Data & Options

- Style:** Mil-C-5015 series
Brand: Various
Contacts: 4 or more (as available)
Shell-Size: 18~24 (or 16~16S as available)
OEM #: TBA
Voltage: 24 Vdc. (working)
Current: 15A (nominal)
Wires: 4 (4 core flexible) 12mm OD
Arrangement (options):
 16S-8 (5 x 16g)
 16S-1 (7 x 16g)
 18-4 (4 x 16g)
18-10 (4 x 12g)
 18-15 (4 x 12g)
20-4 (4 x 12g)
 22-10 (4 x 16g)
 22-22 (4 x 8g)
 22-28 (7 x 12g)
 24-2 (7 x 12g)
 24-22 (4 x 8g)
 24-27 (7 x 16g)

Condition: New (or refurbished or recovered / tested with customer approval)

Comments: optional cable-sleeves and other accessories selected to suit application



MS3100 Class A



Client may choose best options from available stocks at time of order to ensure timely delivery.

NOTICE – the information on this page is not guaranteed for accuracy – CASA accepts no responsibility (neither expressed nor implied) for any errors or the consequence therefrom.