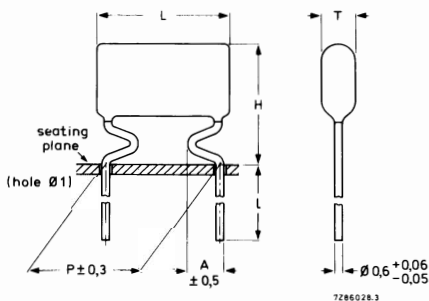


For detailed information on these and other types see Data Handbook C22

Rated capacitance (E-12 series)	0.0047 to 1 μF
Upper tolerance on rated capacitance	-10%
Lower tolerance on rated capacitance	+10%
Rated voltage U_R (d.c.)	63 V, 100 V, 250 V, 400 V
Rated voltage U_R (a.c.), 50/60 Hz	40 V, 63 V, 160 V, 220 V
Minimum category temperature	-40 °C
Maximum category temperature	+100 °C
Climatic category	40/100/56
at norm	IEC 68
Related specification	IEC 384-2
Dielectric	PETP



63 V-range; pitch (P) = 7.62 mm

rated cap. μF	T_{max} mm	H_{max} mm	L_{max} mm	A mm	l = 4 mm cat. number	l = 17 mm cat. number
0.15	4	12	10	2	2222 366 15154	2222 366 11154
0.22	4	12	10	2	2222 366 15224	2222 366 11224
0.33	5	13.5	10.5	2	2222 366 15334	2222 366 11334
0.47	5.5	14	10.5	2	2222 366 15474	2222 366 11474
0.68	5.5	14.5	10.5	2	2222 366 15684	2222 366 11684
1	5.5	14.5	10.5	2	2222 366 15105	2222 366 11105

63 V-range; pitch (P) = 5.08 mm

rated cap. μF	T_{max} mm	H_{max} mm	L_{max} mm	A mm	l = 4 mm cat. number	l = 17 mm cat. number
0.047	3.5	12.5	7.5	1.7	2222 366 75473	2222 366 71473
0.068	3.5	12.5	7.5	1.7	2222 366 75683	2222 366 71683
0.1	3.5	12.5	7.5	1.7	2222 366 75104	2222 366 71104
0.15	4	13	7.5	1.7	2222 366 75154	2222 366 71154
0.22	4.5	13.5	7.5	1.7	2222 366 75224	2222 366 71224
0.33	5.5	14.5	7.5	1.7	2222 366 75334	2222 366 71334
0.47	6	15.5	7.5	1.7	2222 366 75474	2222 366 71474
0.68	5.5	14.5	7.5	1.7	2222 366 75684	2222 366 71684
1	6.5	15.5	7.5	1.7	2222 366 75105	2222 366 71105



For detailed information on these and other types see Data Handbook C22

100 V-range; pitch (P) = 7.62 mm

rated cap. μF	T_{max} mm	H_{max} mm	L_{max} mm	A mm	l = 4 mm cat. number	l = 17 mm cat. number
0.047	4	12	10	2	2222 366 25473	2222 366 21473
0.068	4	11	10	2	2222 366 25683	2222 366 21683
0.1	4	13	10	2	2222 366 25104	2222 366 21104
0.15	5	13	10.5	2	2222 366 25154	2222 366 21154
0.22	5.5	13.5	10.5	2	2222 366 25224	2222 366 21224
0.33	6	15	10.5	2	2222 366 25334	2222 366 21334
0.47	6	15	10.5	2	2222 366 25474	2222 366 21474

100 V-range; pitch (P) = 5.08 mm

rated cap. μF	T_{max} mm	H_{max} mm	L_{max} mm	A mm	l = 4 mm cat. number	l = 17 mm cat. number
0.01	3.5	12.5	7.5	1.7	2222 366 85103	2222 366 81103
0.015	3.5	12.5	7.5	1.7	2222 366 85153	2222 366 81153
0.022	3.5	12.5	7.5	1.7	2222 366 85223	2222 366 81223
0.033	3.5	12.5	7.5	1.7	2222 366 85333	2222 366 81333
0.047	4	13	7.5	1.7	2222 366 85473	2222 366 81473
0.068	4.5	13.5	7.5	1.7	2222 366 85683	2222 366 81683
0.1	4.5	13.5	7.5	1.7	2222 366 85104	2222 366 81104

250 V-range; pitch (P) = 7.62 mm

rated cap. μF	T_{max} mm	H_{max} mm	L_{max} mm	A mm	l = 4 mm cat. number	l = 17 mm cat. number
0.022	4	13	10	2	2222 366 45223	2222 366 41223
0.033	4	13	10	2	2222 366 45333	2222 366 41333
0.047	4	13	10	2	2222 366 45473	2222 366 41473

400 V-range; pitch (P) = 7.62 mm

rated cap. μF	T_{max} mm	H_{max} mm	L_{max} mm	A mm	l = 4 mm cat. number	l = 17 mm cat. number
0.0047	4	12	10	2	2222 366 55472	2222 366 51472
0.0068	4	13	10	2	2222 366 55682	2222 366 51682
0.01	4	13	10	2	2222 366 55103	2222 366 51103
0.015	4	13	10	2	2222 366 55153	2222 366 51153

