

For detailed information on these and other types see Data Handbook C22

250 V-range

rated cap. μF	T_{max} mm	H_{max} mm	L_{max} mm	P mm	d mm	l = 4 mm cat. number	l = 17 mm cat. number
0.033	4	12	12.5	10.16	0.6	2222 368 45333	2222 368 41333
0.047	4	12	12.5	10.16	0.6	2222 368 45473	2222 368 41473
0.068	4.5	12.5	12.5	10.16	0.6	2222 368 45683	2222 368 41683
0.1	5	13	12.5	10.16	0.6	2222 368 45104	2222 368 41104
0.15	5	14	17.5	15.24	0.8	2222 368 45154	2222 368 41154
0.22	6	15	17.5	15.24	0.8	2222 368 45224	2222 368 41224
0.33	7	16	17.5	15.24	0.8	2222 368 45334	2222 368 41334
0.47	5.5	17.5	26	22.86	0.8	2222 368 45474	2222 368 41474
0.68	6.5	18.5	26	22.86	0.8	2222 368 45684	2222 368 41684
1	7.5	19.5	30	27.94	0.8	2222 368 45105	2222 368 41105
1.5	8.5	20.5	30	27.94	0.8	2222 368 45155	2222 368 41155
2.2	10.5	22.5	30	27.94	0.8	2222 368 45225	2222 368 41225

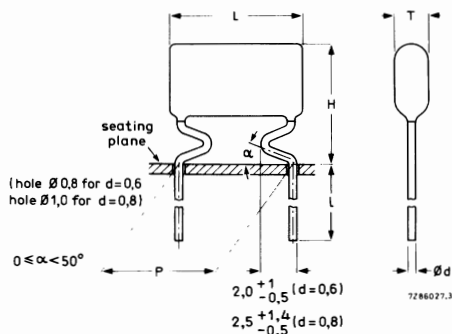
400 V-range

rated cap. μF	T_{max} mm	H_{max} mm	L_{max} mm	P mm	d mm	l = 4 mm cat. number	l = 17 mm cat. number
0.0010	4	12	12.5	10.16	0.6	2222 368 55102	2222 368 51102
0.0015	4	12	12.5	10.16	0.6	2222 368 55152	2222 368 51152
0.0022	4	12	12.5	10.16	0.6	2222 368 55222	2222 368 51222
0.0033	4	12	12.5	10.16	0.6	2222 368 55332	2222 368 51332
0.0047	4	12	12.5	10.16	0.6	2222 368 55472	2222 368 51472
0.0068	4	12	12.5	10.16	0.6	2222 368 55682	2222 368 51682
0.010	4	12	12.5	10.16	0.6	2222 368 55103	2222 368 51103
0.015	4	12	12.5	10.16	0.6	2222 368 55153	2222 368 51153
0.022	4	12	12.5	10.16	0.6	2222 368 55223	2222 368 51223
0.033	4.5	12.5	12.5	10.16	0.6	2222 368 55333	2222 368 51333
0.047	5	14	17.5	15.24	0.8	2222 368 55473	2222 368 51473
0.068	5	14	17.5	15.24	0.8	2222 368 55683	2222 368 51683
0.1	6	15	17.5	15.24	0.8	2222 368 55104	2222 368 51104
0.15	7	16	17.5	15.24	0.8	2222 368 55154	2222 368 51154
0.22	5.5	17.5	26	22.86	0.8	2222 368 55224	2222 368 51224
0.33	6.5	18.5	26	22.86	0.8	2222 368 55334	2222 368 51334
0.47	8	20	26	22.86	0.8	2222 368 55474	2222 368 51474
0.68	8.5	20.5	30	27.94	0.8	2222 368 55684	2222 368 51684
1	11	23	30	27.94	0.8	2222 368 55105	2222 368 51105



For detailed information on these and other types see Data Handbook C22

Rated capacitance (E-12 series)	0.001 to 6.8 μ F
Upper tolerance on rated capacitance	- 10%
Lower tolerance on rated capacitance	+ 10%
Rated voltage U_R (d.c.)	100 V, 250 V, 400 V
Rated voltage U_R (a.c.), 50/60 Hz	63 V, 160 V, 220 V
Minimum category temperature	- 40 °C
Maximum category temperature	+ 100 °C
Climatic category	40/100/56
at norm	IEC 68
Related specification	IEC 384-2
Performance grade	grade 1 (LL)
Dielectric	PETP



100 V-range

rated cap. μ F	T_{max} mm	H_{max} mm	L_{max} mm	P mm	d mm	l = 5 mm cat. number	l = 17 mm cat. number
0.068	4	12	12.5	10.16	0.6	2222 368 25683	2222 368 21683
0.10	4	12	12.5	10.16	0.6	2222 368 25104	2222 368 21104
0.15	4	12	12.5	10.16	0.6	2222 368 25154	2222 368 21154
0.22	5	13	12.5	10.16	0.6	2222 368 25224	2222 368 21224
0.33	5	14	17.5	15.14	0.8	2222 368 25334	2222 368 21334
0.47	5.5	14.5	17.5	15.14	0.8	2222 368 25474	2222 368 21474
0.68	6.0	15.0	17.5	15.14	0.8	2222 368 25684	2222 368 21684
1.0	7.5	16.5	17.5	15.14	0.8	2222 368 25105	2222 368 21105
1.5	6.0	18.0	26	22.86	0.8	2222 368 25155	2222 368 21155
2.2	6.5	18.5	26	22.86	0.8	2222 368 25225	2222 368 21225
3.3	8.5	20.5	26	22.86	0.8	2222 368 25335	2222 368 21335
4.7	9.5	21.5	30	22.86	0.8	2222 368 25475	2222 368 21475
6.8	11.5	23.5	30	22.86	0.8	2222 368 25685	2222 368 21685

