

Deltron Product Specifications

[Email this page](#) [Print](#) [Close](#)



Precision Series Ball Slides - Inch

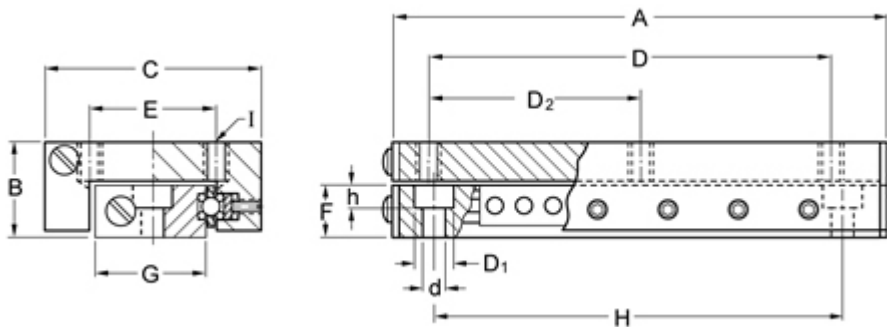
Family: S3-SS

Model: S3-2SS

Price: \$ 141.00

The standard finish is a black anodize carriage and black anodize base. Other finishes are available on request.

[Add to cart](#)



All dimensions in inches unless otherwise specified

Model	Price \$	Travel	Load (lbs)	Weight (lbs)	Length A	B	C	D	d	D1	D2	E	F	G	H	h	I
S3-2SS	141.00	2	64	1	4.00	1.00	2.62	3.000	0.204	0.328	-	1.250	0.61	1.50	3.375	0.205	#10-32

[Life Calculator](#)

[Moment Load Calculator](#)

[Solid Model Drawings](#)

Del-tron Precision, Inc. • 5 Trowbridge Dr. • Bethel CT 06801 • 800-245-5013