

KUOYUH<sup>®</sup>

## 88A Thermal Circuit Protectors

---

Issue: KUOYUH W.L. Enterprise Co., Ltd.

Date: 2008.10.01

Author: Hunter Huang

Edition: A/0

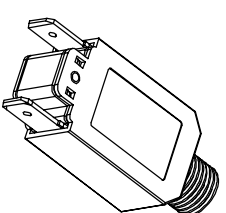
KUOYUH W.L. Enterprise Co., Ltd.

647 NO. 11-6 HsiMei, TameiTusuen, Tsutang Hsiang, YunLin Hsien, Taiwan R.O.C.

TEL: 886 5 5850138 5850148

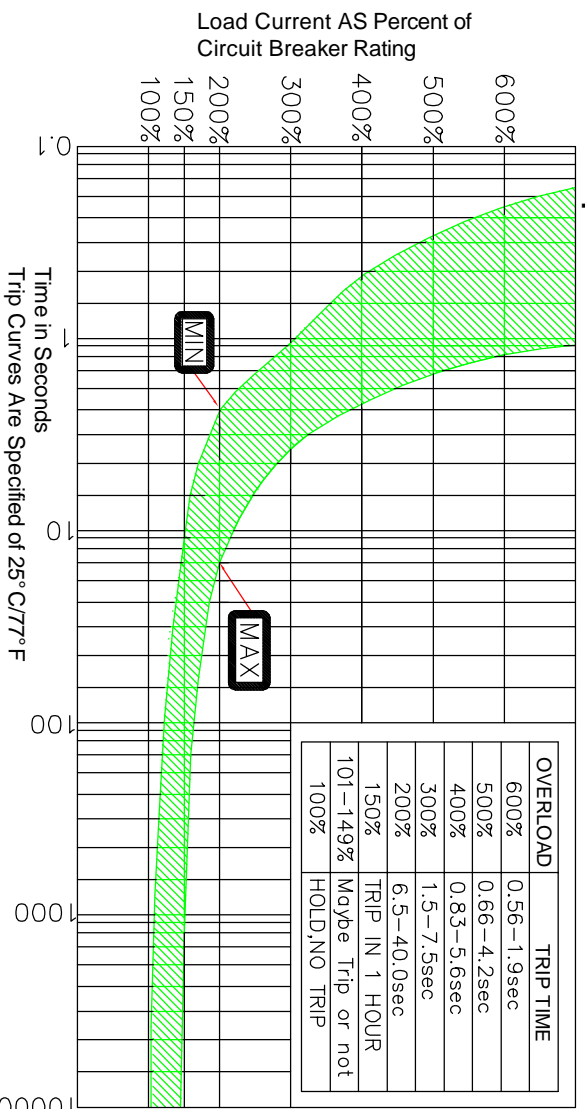
Fax: 8865 5850149

# 88A Series Circuit Breaker



**Rating: 3A-20A**  
**Input Power: 125/250Vac, 32Vdc**  
**Interruption Capacity: 1000AX125Vac, 200AX250Vac**  
**Dillectric Strength: 1,500VacX1 minute**  
**Voltage Drop: Less than 0.25V**  
**Insuation Resistance: >500Mohms**  
**Reset Time: Within 60sec**  
**Contact Endurance: 125VacX150% of rated current >500 cycles**

## Trip Time Curves

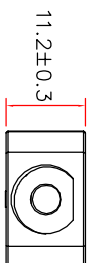
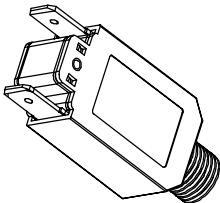


The time/current characteristic curve depends on the ambient temperature prevailing, In order to eliminate nuisance tripping. Please multiply the current breaker current ratings by the derating factor shown below.

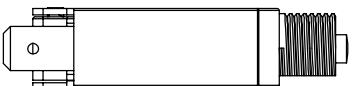
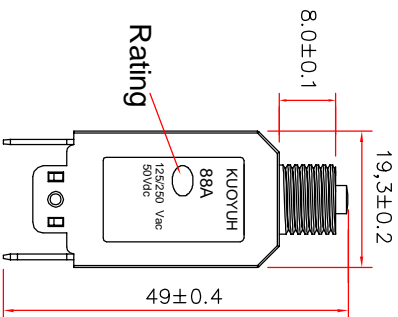
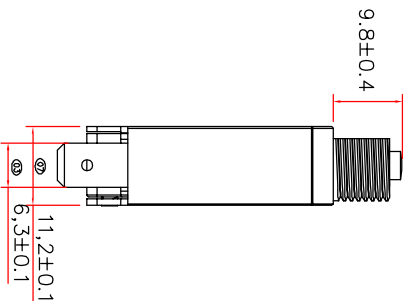
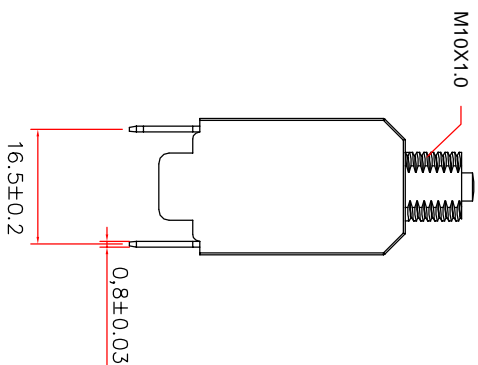
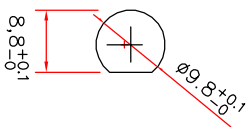
Ambient Temperature Multiplication Factor	-10°C	0°C	10°C	25°C	40°C	50°C	60°C
	1.25	1.15	1.05	1.00	0.9	0.8	0.7

NO	DESCRIPTION	APPROVED	DATE	TOLERANCE		APPROVED	CHECK	DESING	DRAWER	UNIT	SCALE	mm
				DIMENSION	TOLERANCE							
4				XX.XX	±0.05	總經理 2008.10.01	製造部 2008.10.01	品研部 2008.10.01	品研部 2008.10.01	SCALE	1:1	
3				XX.X	±0.1	黃繼明	林登松	黃信凱	李約翰	REV	A/0	
2				XX	±0.15					DATE		
1				ANGLE	TOLERANCE	FILE NO	88A Thermal Circuit Protectors			TITLE		Data
				X.X	±1°					DRAWING NO		971001-1
				X.X	±0.5°	KUOYUH W.L. Enterprise Co., Ltd.						

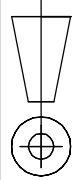
88A Thermal Circuit Protectors

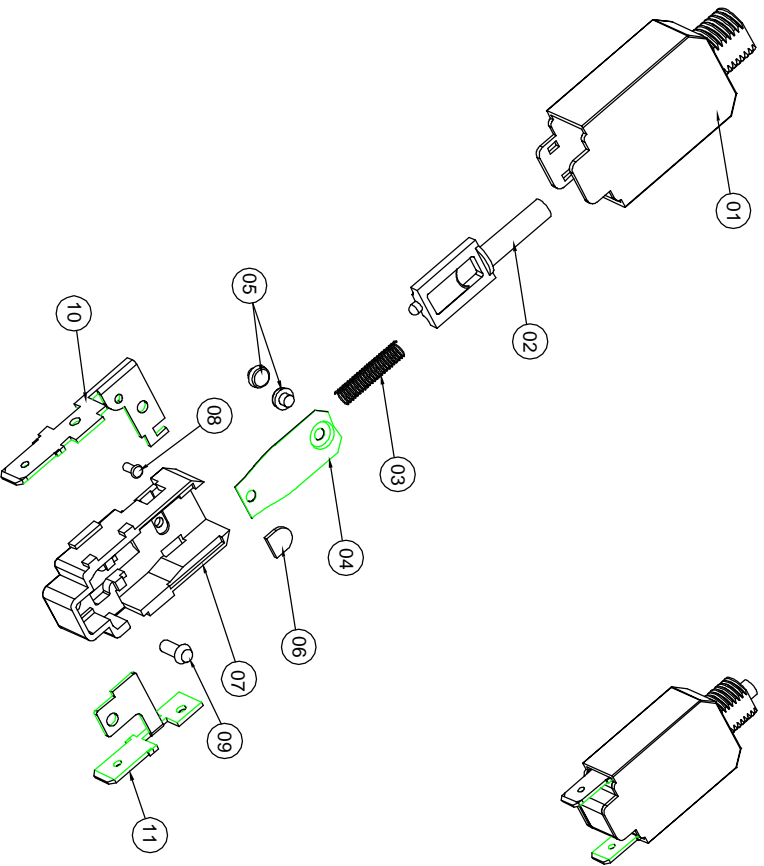


Panel Cutout



NO	DESCRIPTION	APPROVED	DATE	TOLERANCE		APPROVED	CHECK	DESING	DRAWER	UNIT	SCALE	mm
				DIMENSION	TOLERANCE							
4											1:1	
3				XX.XX	±0.05	總經理 2008.10.01	製造部 2008.10.01	品研部 2008.10.01	品研部 2008.10.01	REV	DATE	
2				XX.X	±0.1	黃耀明	林登松	黃晉新	李約翰	REV	DATE	2008.10.01
1				XX	±0.15					TITLE		Dim
				X	±1°					TITLE		
				X.X	±0.5°					DRAWING NO		971001-2





4	TOLERANCE		APPROVED	CHECK	DESING	DRAWER	UNIT	mm		
	DIMENSION							TOLERANCE		
	XX.XX	±0.05								
	XX.X	±0.1								
2	XX	±0.15	2008.10.01							
1	ANGLE	TOLERANCE	FILE NO	88A Thermal Circuit Protectors		TITLE	List			
	X	±1°								
	X.X	±0.5°								
NO	DESCRIPTION	APPROVED	DATE	KUOYUH W.L. Enterprise Co., Ltd.			DRAWING NO	971001-3		

11	Terminal #2	1	Copper Alloy
10	Terminal #1	1	Copper Alloy
09	Rivet #2	1	Aluminum Alloy
08	Rivet #1	1	Aluminum Alloy
07	Case	1	PBT
06	Washer	1	Copper Alloy
05	Contact	2	Silver plated copper alloy
04	Elastic Sheet	1	Bimetal
03	Spring	1	Stainless Steel
02	Push Rod	1	Phenolic
01	Enclosure	1	Phenolic
NO	Part Name	qty	Designation