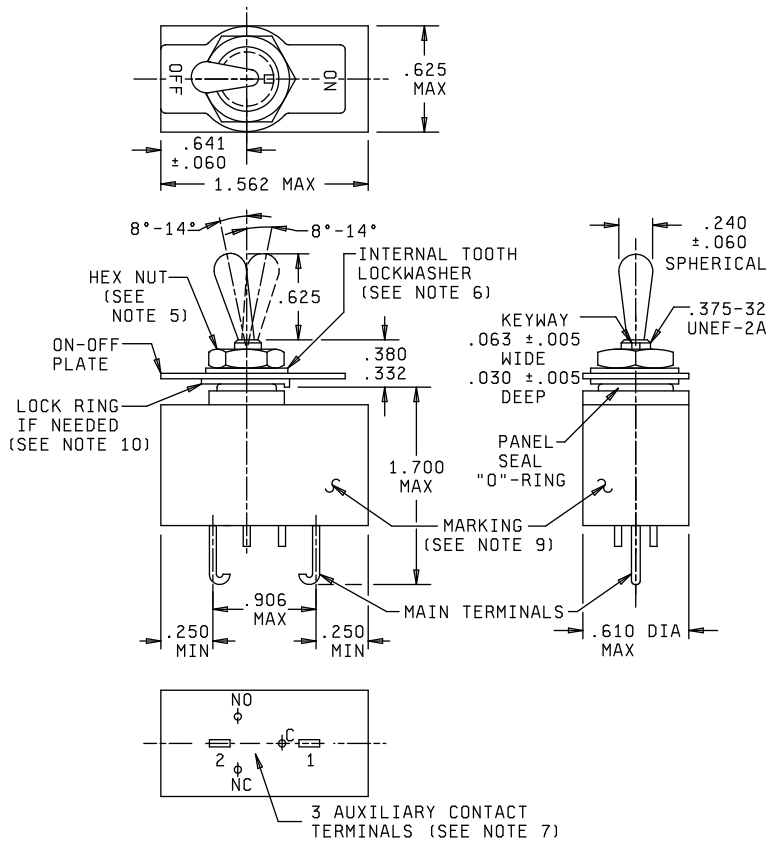


PERFORMANCE SPECIFICATION SHEET

CIRCUIT BREAKERS, MAGNETIC, LOW-POWER, SEALED, TRIP-FREE
ONE-POLE, AUXILIARY CONTACTS

This specification is approved for use by all Departments
and Agencies of the Department of Defense.

The requirements for acquiring the product described herein shall consist of
this specification sheet and [MIL-PRF-39019](#).



CONFIGURATION 1

FIGURE 1. Circuit breaker configuration.

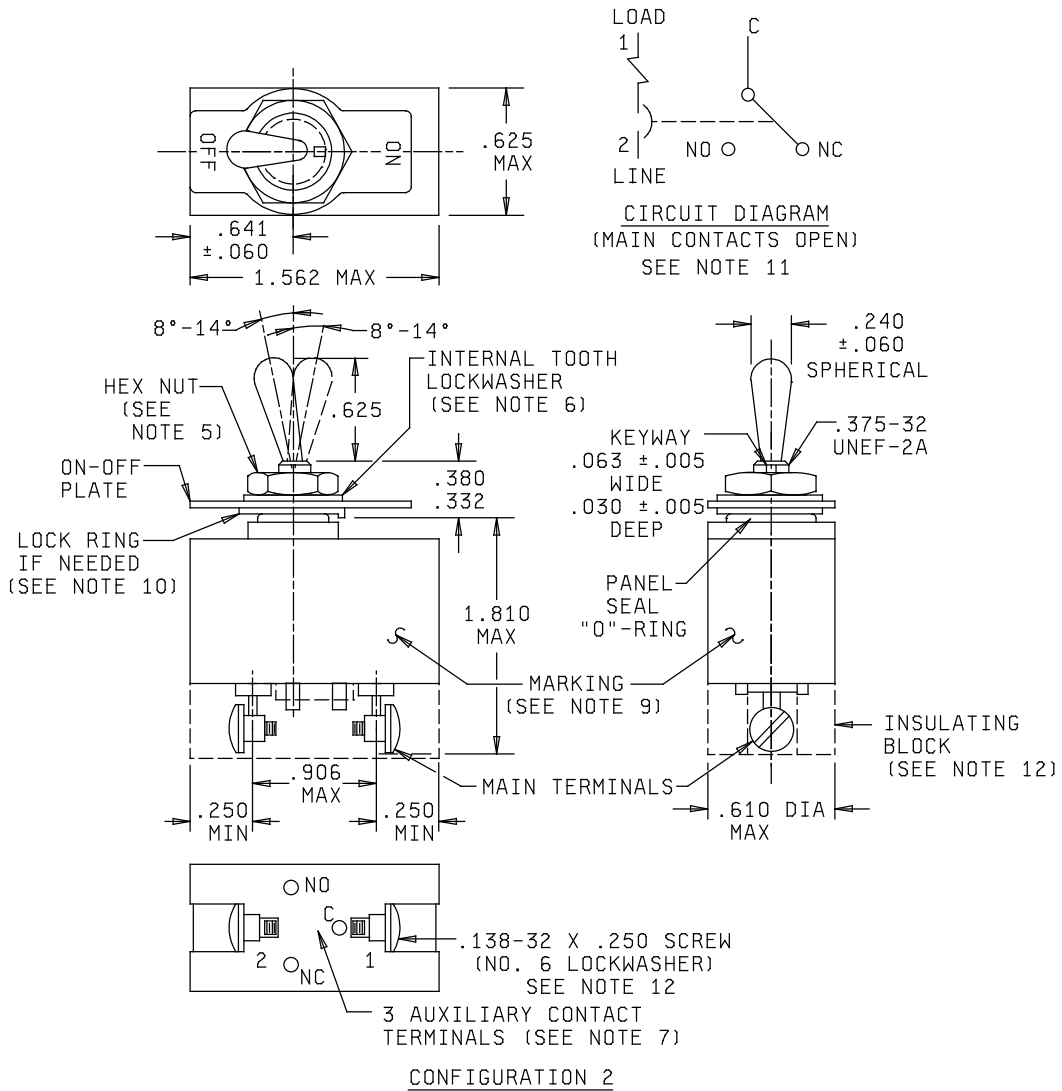
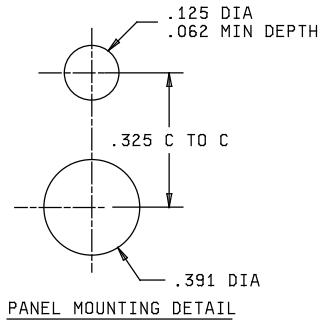


FIGURE 1. Circuit breaker configuration - Continued.

MIL-PRF-39019/2H



| Inches | mm | Inches | mm |
|--------|------|--------|-------|
| .005 | 0.13 | .382 | 9.70 |
| .030 | 0.76 | .391 | 9.93 |
| .060 | 1.52 | .392 | 9.96 |
| .062 | 1.57 | .493 | 12.52 |
| .063 | 1.60 | .507 | 12.88 |
| .125 | 3.18 | .610 | 15.49 |
| .138 | 3.51 | .625 | 15.88 |
| .240 | 6.10 | .641 | 16.28 |
| .250 | 6.35 | .906 | 23.01 |
| .325 | 8.26 | 1.562 | 39.67 |
| .332 | 8.43 | 1.700 | 43.18 |
| .375 | 9.52 | 1.780 | 45.21 |
| .380 | 9.65 | | |

NOTES:

1. Dimensions are in inches.
2. Metric equivalents are given for general information only.
3. Unless otherwise specified, tolerance is ± 0.031 (0.79 mm).
4. The shape of the circuit breaker is shown for information only. Slight deviations from this outline drawing, which do not alter the functional aspect of the device, are acceptable.
5. Hex mounting nut .375-32 UNEF-2B thread, $.093 \pm 0.005$ (2.36 mm ± 0.13 mm) thick or equivalent MS25082-20,-B20.
6. Internal tooth lockwasher, .507/.493 O.D., .392/.382 I.D., $.025 \pm 0.005$ (0.64 mm ± 0.13 mm) thick, stainless steel or equivalent MS35333-134.
7. Auxiliary contact terminals shall be located on the back side of the circuit breaker (same surface as main terminals), but otherwise their location, style, and form shall be optional, consistent with dimensional or other specified requirements. Auxiliary contact terminals shall accommodate two number 20 AWG wires.
8. The effective bushing thread length (not including mounting hardware) is .280 (7.11 mm) minimum.
9. Marking may appear on any surface except the mounting surface.
10. Lock ring not required if on-off plate has locking tab.
11. Numerical marking optional on circuit diagram.
12. For configuration 2 add "S" at end of dash number for screw terminals with insulating block (see table I). When circuit breakers are subjected to the resistance to solvents test, the insulating block shall be removed and shall not be tested. Main terminal screw MS35265-26 or equivalent.

FIGURE 1. Circuit breaker configuration - Continued.

MIL-PRF-39019/2H

REQUIREMENTS:

Dimensions and configuration: See figure 1 and note 12.

Weight: For reference only, approximately 50 grams.

Mounting hardware: See figure 1.

Terminals: See figure 1.

Voltage and frequency rating: 50 V dc, maximum and 240 V ac, maximum at 60 Hz and 400 Hz.

High inrush: 800 percent at 60 Hz and dc, 1,400 percent at 400 Hz (see table I).

Current rating: See table I.

Circuit diagram: See figure 1.

Time delay: See table I.

Resistance or impedance: See table I.

Part or Identifying Number (PIN): The PIN shall be M39019/02-(dash number taken from table I) (e.g., M39019/02-200, M39019/02-200S).

Cross reference: See table II.

TABLE I. Circuit breaker dash numbers and applicable characteristics.

| Dash number <u>1/</u> | | Current rating (amps) | Time delay | Resistance or impedance (ohms - max) <u>2/</u> | | |
|-----------------------|-------------|-----------------------|------------|--|-------|--------|
| Standard delay | High inrush | | | DC | 60 Hz | 400 Hz |
| 200 | 300 | 0.05 | A | 680.0 | 690.0 | 710.0 |
| 201 | 301 | 0.05 | B | 680.0 | 690.0 | 710.0 |
| 202 | --- | 0.05 | C | 680.0 | 690.0 | 710.0 |
| 203 | 302 | 0.1 | A | 150.0 | 170.0 | 180.0 |
| 204 | 303 | 0.1 | B | 150.0 | 170.0 | 180.0 |
| 205 | --- | 0.1 | C | 150.0 | 170.0 | 180.0 |
| 206 | 304 | 0.25 | A | 20.0 | 26.0 | 27.0 |
| 207 | 305 | 0.25 | B | 20.0 | 26.0 | 27.0 |
| 208 | --- | 0.25 | C | 20.0 | 26.0 | 27.0 |
| 209 | 306 | 0.5 | A | 5.4 | 6.0 | 6.6 |
| 210 | 307 | 0.5 | B | 5.4 | 6.0 | 6.6 |
| 211 | --- | 0.5 | C | 5.4 | 6.0 | 6.6 |
| 212 | 308 | 0.75 | A | 2.5 | 2.7 | 2.8 |
| 213 | 309 | 0.75 | B | 2.5 | 2.7 | 2.8 |
| 214 | --- | 0.75 | C | 2.5 | 2.7 | 2.8 |
| 215 | 310 | 1.0 | A | 1.35 | 1.5 | 1.61 |

See footnotes at end of table.

MIL-PRF-39019/2H

TABLE I. Circuit breaker dash numbers and applicable characteristics - Continued.

| Dash number <u>1/</u> | | Current rating (amps) | Time delay | Resistance or impedance (ohms - max) <u>2/</u> | | |
|-----------------------|-------------|-----------------------|------------|--|-------|--------|
| Standard delay | High inrush | | | DC | 60 Hz | 400 Hz |
| 216 | 311 | 1.0 | B | 1.35 | 1.5 | 1.61 |
| 217 | --- | 1.0 | C | 1.35 | 1.5 | 1.61 |
| 218 | 312 | 2.0 | A | 0.40 | 0.40 | 0.50 |
| 219 | 313 | 2.0 | B | 0.40 | 0.40 | 0.50 |
| 220 | --- | 2.0 | C | 0.40 | 0.40 | 0.50 |
| 221 | 314 | 2.5 | A | 0.25 | 0.25 | 0.27 |
| 222 | 315 | 2.5 | B | 0.25 | 0.25 | 0.27 |
| 223 | --- | 2.5 | C | 0.25 | 0.25 | 0.27 |
| 224 | 316 | 3.0 | A | 0.15 | 0.15 | 0.17 |
| 225 | 317 | 3.0 | B | 0.15 | 0.15 | 0.17 |
| 226 | --- | 3.0 | C | 0.15 | 0.15 | 0.17 |
| 227 | 318 | 4.0 | A | 0.10 | 0.10 | 0.12 |
| 228 | 319 | 4.0 | B | 0.10 | 0.10 | 0.12 |
| 229 | --- | 4.0 | C | 0.10 | 0.10 | 0.12 |
| 230 | 320 | 5.0 | A | 0.061 | 0.063 | 0.072 |
| 231 | 321 | 5.0 | B | 0.061 | 0.063 | 0.072 |
| 232 | --- | 5.0 | C | 0.061 | 0.063 | 0.072 |
| 233 | 322 | 6.0 | A | 0.042 | 0.043 | 0.050 |
| 234 | 323 | 6.0 | B | 0.042 | 0.043 | 0.050 |
| 235 | --- | 6.0 | C | 0.042 | 0.043 | 0.050 |
| 236 | 324 | 7.0 | A | 0.036 | 0.036 | 0.040 |
| 237 | 325 | 7.0 | B | 0.036 | 0.036 | 0.040 |
| 238 | --- | 7.0 | C | 0.036 | 0.036 | 0.040 |
| 239 | 326 | 7.5 | A | 0.031 | 0.031 | 0.038 |
| 240 | 327 | 7.5 | B | 0.031 | 0.031 | 0.038 |
| 241 | --- | 7.5 | C | 0.031 | 0.031 | 0.038 |
| 242 | 328 | 8.0 | A | 0.027 | 0.028 | 0.035 |
| 243 | 329 | 8.0 | B | 0.027 | 0.028 | 0.035 |
| 244 | --- | 8.0 | C | 0.027 | 0.028 | 0.035 |
| 245 | 330 | 9.0 | A | 0.022 | 0.022 | 0.028 |
| 246 | 331 | 9.0 | B | 0.022 | 0.022 | 0.028 |
| 247 | --- | 9.0 | C | 0.022 | 0.022 | 0.028 |
| 248 | 332 | 10.0 | A | 0.018 | 0.021 | 0.024 |
| 249 | 333 | 10.0 | B | 0.018 | 0.021 | 0.024 |
| 250 | --- | 10.0 | C | 0.018 | 0.021 | 0.024 |

See footnotes at end of table.

MIL-PRF-39019/2H

TABLE I. Circuit breaker dash numbers and applicable characteristics - Continued.

| Dash number <u>1/</u> | | Current rating (amps) | Time delay | Resistance or impedance (ohms - max) <u>2/</u> | | |
|-----------------------|-------------|-----------------------|------------|--|-------|--------|
| Standard delay | High inrush | | | DC | 60 Hz | 400 Hz |
| 251 | 334 | 12.5 | A | 0.012 | 0.013 | 0.015 |
| 252 | 335 | 12.5 | B | 0.012 | 0.013 | 0.015 |
| 253 | --- | 12.5 | C | 0.012 | 0.013 | 0.015 |
| 254 | 336 | 15.0 | A | 0.009 | 0.009 | 0.010 |
| 255 | 337 | 15.0 | B | 0.009 | 0.009 | 0.010 |
| 256 | --- | 15.0 | C | 0.009 | 0.009 | 0.010 |
| 257 | 338 | 20.0 | A | 0.006 | 0.006 | 0.007 |
| 258 | 339 | 20.0 | B | 0.006 | 0.006 | 0.007 |
| 259 | --- | 20.0 | C | 0.006 | 0.006 | 0.007 |
| 260 | 340 | 1.25 | A | 0.9 | 1.0 | 1.1 |
| 261 | 341 | 1.25 | B | 0.9 | 1.0 | 1.1 |
| 262 | --- | 1.25 | C | 0.9 | 1.0 | 1.1 |
| 263 | 342 | 1.5 | A | 0.65 | 0.70 | 0.75 |
| 264 | 343 | 1.5 | B | 0.65 | 0.70 | 0.75 |
| 265 | --- | 1.5 | C | 0.65 | 0.70 | 0.75 |

1/ For configuration 2, add "S" at end of dash number.

2/ The corresponding maximum wattage losses, which in no case shall exceed 3.0 watts, may be calculated as I^2R or I^2Z .

MIL-PRF-39019/2H

TABLE II. Cross reference of superseded part numbers.

| Superseded MIL-C-39019/2B part number M39019/2- | New part number M39019/02- | Superseded MIL-C-39019/2B part number M39019/2- | New part number M39019/02- | Superseded MIL-C-39019/2B part number M39019/2- | New part number M39019/02- |
|--|----------------------------------|--|----------------------------------|--|----------------------------------|
| 1 | 200 | 41 | 230 | 81 | 218 |
| 2 | 201 | 42 | 231 | 82 | 219 |
| 3 | 200 | 43 | 230 | 83 | 218 |
| 4 | 201 | 44 | 231 | 84 | 219 |
| 5 | 200 | 45 | 230 | 85 | 218 |
| 6 | 201 | 46 | 231 | 86 | 219 |
| 7 | 200 | 47 | 230 | 87 | 227 |
| 8 | 201 | 48 | 231 | 88 | 228 |
| 9 | 200 | 49 | 230 | 89 | 227 |
| 10 | 201 | 50 | 231 | 90 | 228 |
| 11 | 209 | 51 | 248 | 91 | 227 |
| 12 | 210 | 52 | 249 | 92 | 228 |
| 13 | 209 | 53 | 248 | 93 | 233 |
| 14 | 210 | 54 | 249 | 94 | 234 |
| 15 | 209 | 55 | 248 | 95 | 233 |
| 16 | 210 | 56 | 249 | 96 | 234 |
| 17 | 209 | 57 | 248 | 97 | 233 |
| 18 | 210 | 58 | 249 | 98 | 234 |
| 19 | 209 | 59 | 248 | 99 | 236 |
| 20 | 210 | 60 | 249 | 100 | 237 |
| 21 | 215 | 61 | 254 | 101 | 236 |
| 22 | 216 | 62 | 255 | 102 | 237 |
| 23 | 215 | 63 | 254 | 103 | 236 |
| 24 | 216 | 64 | 255 | 104 | 237 |
| 25 | 215 | 65 | 254 | 105 | 242 |
| 26 | 216 | 66 | 255 | 106 | 243 |
| 27 | 215 | 67 | 254 | 107 | 242 |
| 28 | 216 | 68 | 255 | 108 | 243 |
| 29 | 215 | 69 | 254 | 109 | 242 |
| 30 | 216 | 70 | 255 | 110 | 243 |
| 31 | 224 | 71 | 257 | 111 | 245 |
| 32 | 225 | 72 | 258 | 112 | 246 |
| 33 | 224 | 73 | 257 | 113 | 245 |
| 34 | 225 | 74 | 258 | 114 | 246 |
| 35 | 224 | 75 | 257 | 115 | 245 |
| 36 | 225 | 76 | 258 | 116 | 246 |
| 37 | 224 | 77 | 257 | 117 | 251 |
| 38 | 225 | 78 | 258 | 118 | 252 |
| 39 | 224 | 79 | 257 | 119 | 251 |
| 40 | 225 | 80 | 258 | 120 | 252 |
| | | | | 121 | 251 |
| | | | | 122 | 252 |

The margins of this specification are marked with vertical lines to indicate where changes from the previous issue were made. This was done as a convenience only and the Government assumes no liability whatsoever for any inaccuracies in these notations. Bidders and contractors are cautioned to evaluate the requirements of this document based on the entire content irrespective of the marginal notations and relationship to the last previous issue.

Custodians:

Army - CR
Navy - EC
Air Force - 85
DLA - CC

Preparing activity:

Army - CR

Agent:

DLA - CC

Review activities:

Army - AT, AV, MI
Navy - AS, MC
Air Force - 19, 99

(Project 5925-2009-033)

NOTE: The activities listed above were interested in this document as of the date of this document. Since organizations and responsibilities can change, you should verify the currency of the information above using the ASSIST Online database at <https://assist.daps.dla.mil>.