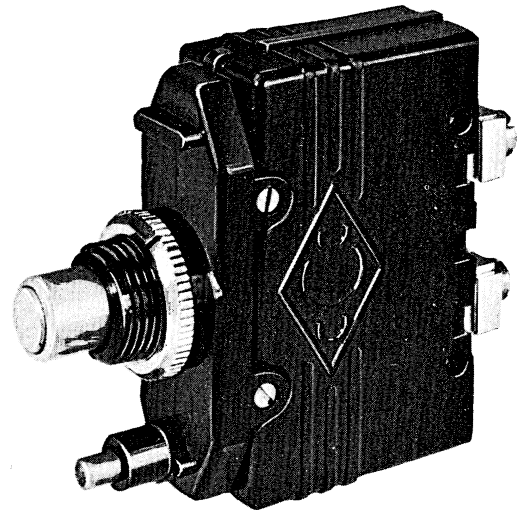


MINIATURE CIRCUIT BREAKERS

Preferred Current Ratings (I_r):	0.3, 0.5, 0.7, 1, 2, 3, 5, 8, 10, 15 and 20 A The circuit breakers will hold in indefinitely on all currents up to 1.1 times the rated value			
Breaking Capacity (maximum):	300 A for ratings up to 3 A } at 0.8 500 A for ratings of 5 A and over } power factor			
Tripping Times:	At 1.5 × I _r < 5 min *At 10 × I _r a.c. < 10 ms At 2 × I _r < 60 s *At 15 × I _r d.c. < 10 ms At 5.5 × I _r < 7 s *Magnetic			
Breakdown Voltage (d.c.):	> 4 kV between terminals > 6 kV between linked terminals and metal panel			
Working Voltage (maximum):	275 V a.c. (r.m.s.) 60 V d.c.			
Insulation Resistance:	> 10 ³ M Ω			
Insertion Resistance:	Rating	L5100	L5200	Tol.
	0.3 A	8.1 Ω	9.2 Ω	±16 %
	0.5 A	2.9 Ω	3.3 Ω	±16 %
	0.7 A	1.6 Ω	1.8 Ω	±16 %
	1 A	0.8 Ω	0.9 Ω	±16 %
	2 A	95 mΩ	0.12 Ω	±16 %
	3 A	70 mΩ	80 mΩ	±16 %
	5 A	46 mΩ	50 mΩ	±16 %
	8 A	24 mΩ	26 mΩ	±16 %
	10 A	17 mΩ	18.5 mΩ	±25 %
	15 A	9 mΩ	10 mΩ	±30 %
	20 A	6 mΩ	6 mΩ	±50 %
Temperature Range:	-55 ° to +70 °C			
Heat Cycles:	H5 (DEF-5011)			
Altitude:	D1: Satisfactory to 9 000 m 30 000 ft (DEF-5011)			
Acceleration:	A1: Satisfactory to over 35 g (DEF-5011)			
Signalling Contacts: (if fitted)	Single pole change-over Maximum rating 1 A at 250 V a.c. or 50 V d.c., substantially non-inductive.			
Maximum Wire Size:	7/0-029 inch			
Weight (average):	According to type, 1.9 oz 54 g minimum 2.3 oz 65 g maximum			



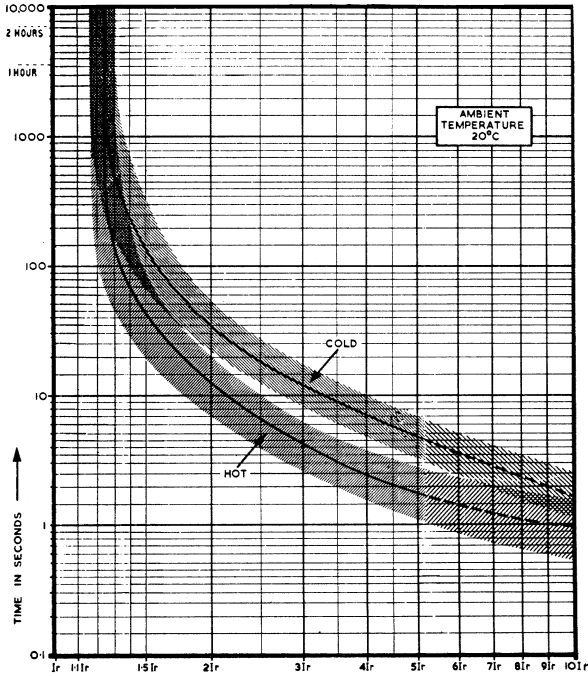
L5000

**SECUREX
MINIATURE
CIRCUIT
BREAKERS**

CIRCUIT PROTECTION

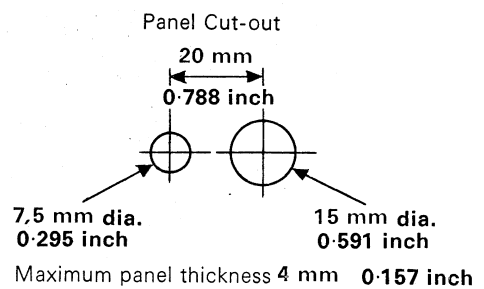
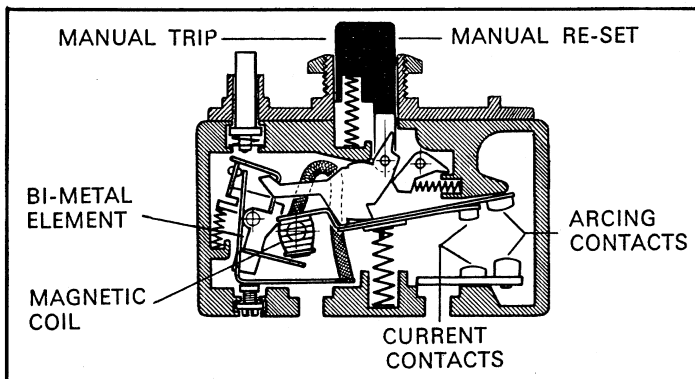
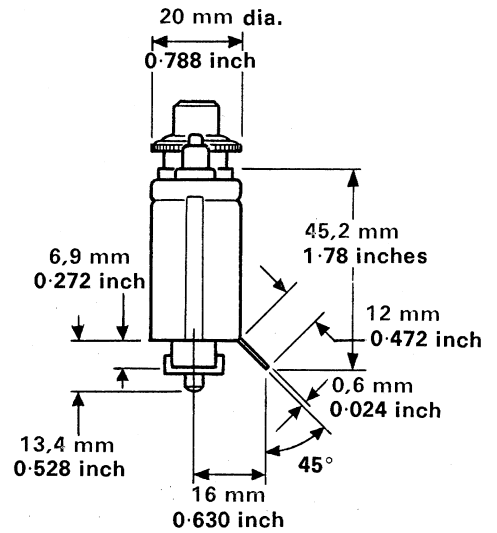
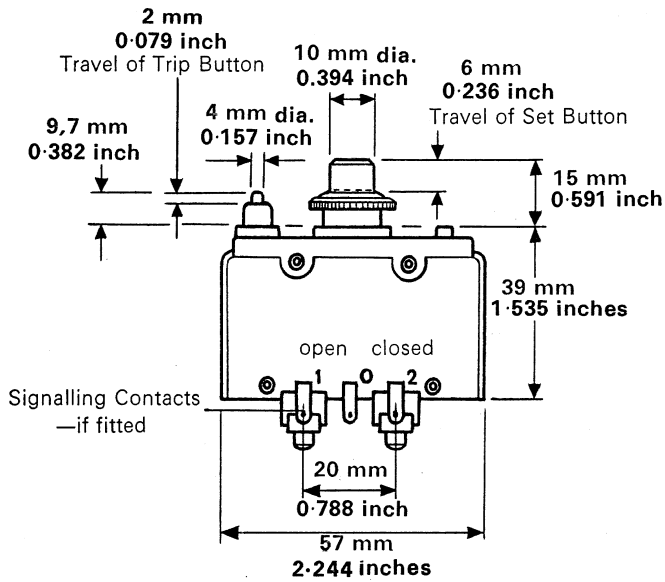
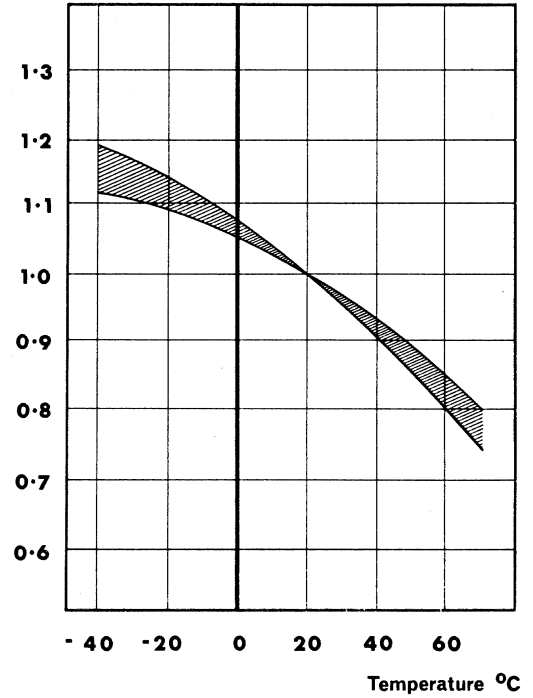
SECUREX

TYPICAL THERMAL RELEASE CHARACTERISTICS



LIMITS OF THE INFLUENCE OF TEMPERATURE

Correction Factor



BELLING & LEE LTD GREAT CAMBRIDGE RD ENFIELD MIDDX ENGLAND

Telephone : 01 363 5393 Telex : 263265 Cables : Radiobel, Enfield