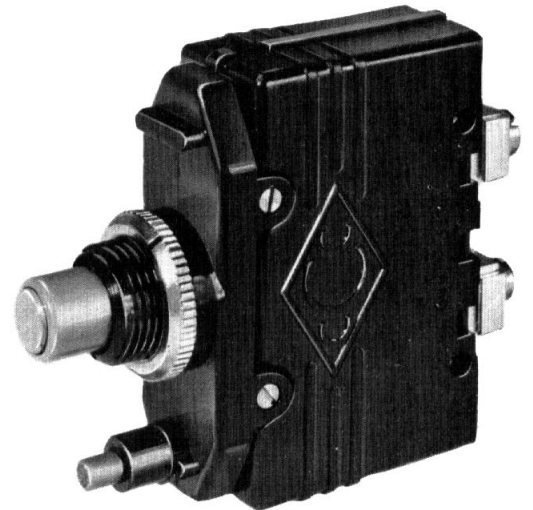


# MINIATURE CIRCUIT BREAKERS

<b>Preferred Current Ratings (I<sub>r</sub>):</b>	0.3, 0.5, 0.7, 1, 2, 3, 5, 8, 10, 15 and 20 A The circuit breakers will hold in indefinitely on all currents up to 1.1 times the rated value																																																
<b>Breaking Capacity (maximum):</b>	300 A for ratings up to 3 A } at 0.8 500 A for ratings of 5 A and over } power factor																																																
<b>Tripping Times:</b>	At 1.5 × I <sub>r</sub> < 5 min    *At 10 × I <sub>r</sub> a.c. < 10 ms At 2 × I <sub>r</sub> < 60 s       *At 15 × I <sub>r</sub> d.c. < 10 ms At 5.5 × I <sub>r</sub> < 7 s       *Magnetic																																																
<b>Breakdown Voltage (d.c.):</b>	> 4 kV between terminals > 6 kV between linked terminals and metal panel																																																
<b>Working Voltage (maximum):</b>	275 V a.c. (r.m.s.) 60 V d.c.																																																
<b>Insulation Resistance:</b>	> 10 <sup>3</sup> M Ω																																																
<b>Insertion Resistance:</b>	<table border="1"> <thead> <tr> <th>Rating</th> <th>L5100</th> <th>L5200</th> <th>Tol.</th> </tr> </thead> <tbody> <tr> <td>0.3 A</td> <td>8.1 Ω</td> <td>9.2 Ω</td> <td>±16 %</td> </tr> <tr> <td>0.5 A</td> <td>2.9 Ω</td> <td>3.3 Ω</td> <td>±16 %</td> </tr> <tr> <td>0.7 A</td> <td>1.6 Ω</td> <td>1.8 Ω</td> <td>±16 %</td> </tr> <tr> <td>1 A</td> <td>0.8 Ω</td> <td>0.9 Ω</td> <td>±16 %</td> </tr> <tr> <td>2 A</td> <td>95 mΩ</td> <td>0.12 Ω</td> <td>±16 %</td> </tr> <tr> <td>3 A</td> <td>70 mΩ</td> <td>80 mΩ</td> <td>±16 %</td> </tr> <tr> <td>5 A</td> <td>46 mΩ</td> <td>50 mΩ</td> <td>±16 %</td> </tr> <tr> <td>8 A</td> <td>24 mΩ</td> <td>26 mΩ</td> <td>±16 %</td> </tr> <tr> <td>10 A</td> <td>17 mΩ</td> <td>18.5 mΩ</td> <td>±25 %</td> </tr> <tr> <td>15 A</td> <td>9 mΩ</td> <td>10 mΩ</td> <td>±30 %</td> </tr> <tr> <td>20 A</td> <td>6 mΩ</td> <td>6 mΩ</td> <td>±50 %</td> </tr> </tbody> </table>	Rating	L5100	L5200	Tol.	0.3 A	8.1 Ω	9.2 Ω	±16 %	0.5 A	2.9 Ω	3.3 Ω	±16 %	0.7 A	1.6 Ω	1.8 Ω	±16 %	1 A	0.8 Ω	0.9 Ω	±16 %	2 A	95 mΩ	0.12 Ω	±16 %	3 A	70 mΩ	80 mΩ	±16 %	5 A	46 mΩ	50 mΩ	±16 %	8 A	24 mΩ	26 mΩ	±16 %	10 A	17 mΩ	18.5 mΩ	±25 %	15 A	9 mΩ	10 mΩ	±30 %	20 A	6 mΩ	6 mΩ	±50 %
Rating	L5100	L5200	Tol.																																														
0.3 A	8.1 Ω	9.2 Ω	±16 %																																														
0.5 A	2.9 Ω	3.3 Ω	±16 %																																														
0.7 A	1.6 Ω	1.8 Ω	±16 %																																														
1 A	0.8 Ω	0.9 Ω	±16 %																																														
2 A	95 mΩ	0.12 Ω	±16 %																																														
3 A	70 mΩ	80 mΩ	±16 %																																														
5 A	46 mΩ	50 mΩ	±16 %																																														
8 A	24 mΩ	26 mΩ	±16 %																																														
10 A	17 mΩ	18.5 mΩ	±25 %																																														
15 A	9 mΩ	10 mΩ	±30 %																																														
20 A	6 mΩ	6 mΩ	±50 %																																														
<b>Temperature Range:</b>	-55 ° to +70 °C																																																
<b>Heat Cycles:</b>	H5 (DEF-5011)																																																
<b>Altitude:</b>	D1: Satisfactory to 9 000 m 30 000 ft (DEF-5011)																																																
<b>Acceleration:</b>	A1: Satisfactory to over 35 g (DEF-5011)																																																
<b>Signalling Contacts: (if fitted)</b>	Single pole change-over Maximum rating 1 A at 250 V a.c. or 50 V d.c., substantially non-inductive.																																																
<b>Maximum Wire Size:</b>	7/0.029 inch																																																
<b>Weight (average):</b>	According to type, 1.9 oz 54 g minimum 2.3 oz 65 g maximum																																																



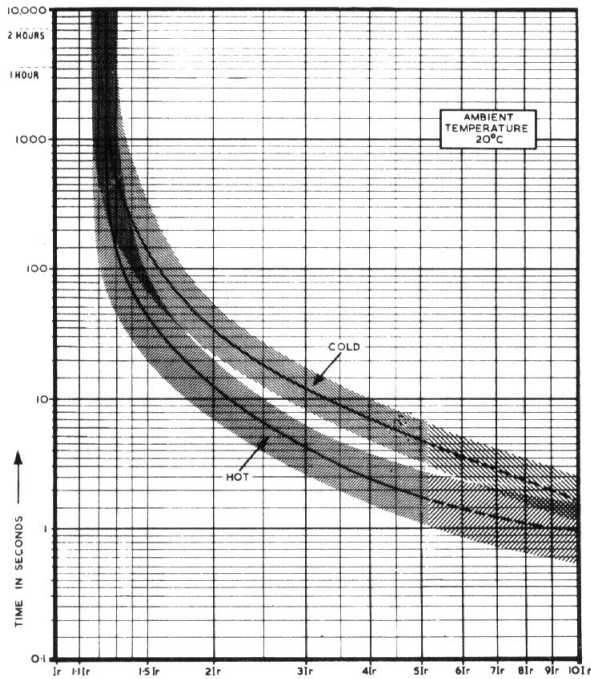
**L5000**

**SECUREX  
MINIATURE  
CIRCUIT  
BREAKERS**

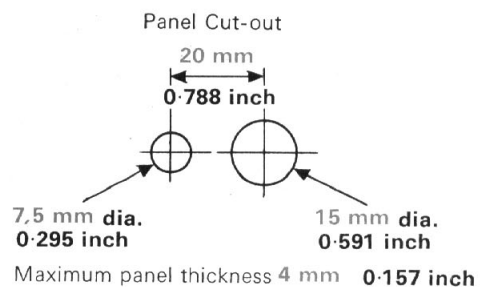
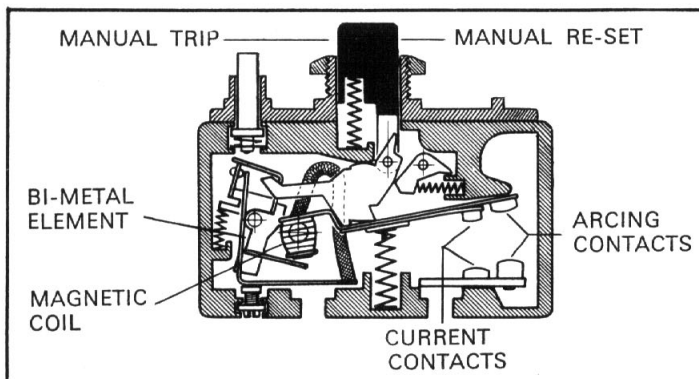
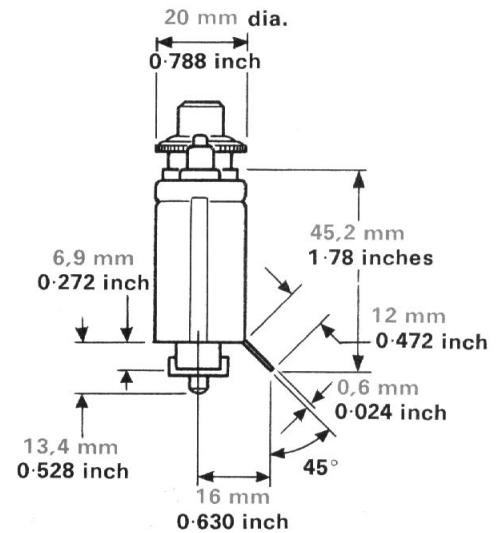
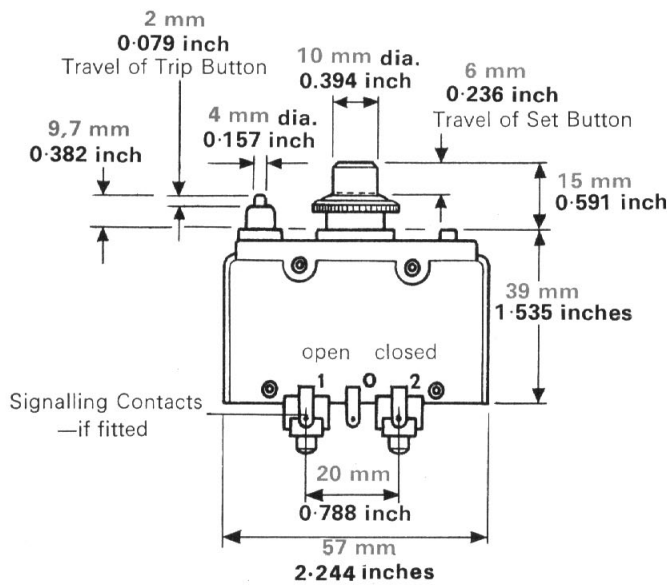
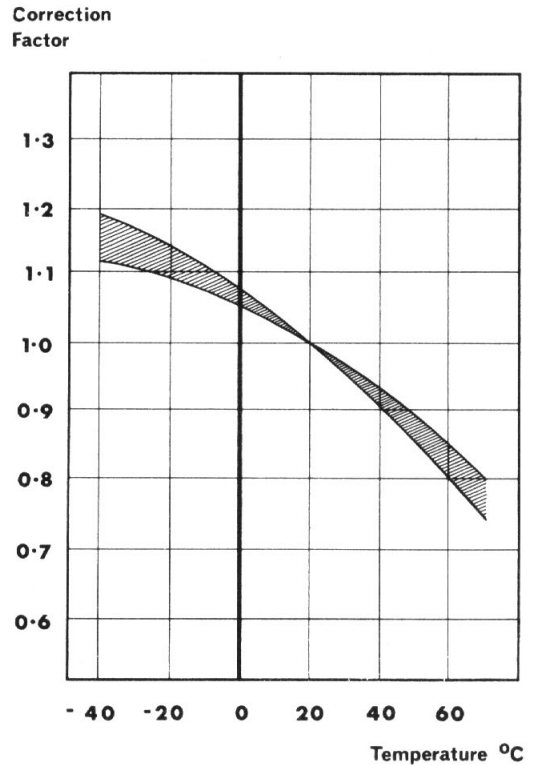
# CIRCUIT PROTECTION

## SECUREX

**TYPICAL THERMAL RELEASE CHARACTERISTICS**



**LIMITS OF THE INFLUENCE OF TEMPERATURE**



**BELLING & LEE LTD GREAT CAMBRIDGE RD ENFIELD MIDDX ENGLAND**

Telephone : 01 363 5393 Telex : 263265 Cables : Radiobel, Enfield