

EAGLE FIVE & SIX

High performance
universal opening for
all automatic doors



Design

- very compact size which means minimal visual impact and high ease of fitting
- sophisticated design to answer to the most exacting architect's requirements
- vandal-proof thanks to a robust ABS cover and a special housing fixing system
- available in metal, black and white colours

Technology

- planar antenna technology in K-band that ensures high precision of the sensing field dimensions
- the unidirectional Eagle Five sensor is fitted with the M.T.F mode (Motion Tracking feature).

As soon as the sensor detects a movement in the oncoming direction, it switches automatically to the bi-directional mode and maintains the bidirectional mode as long as the target stays in movement in the sensing field. This function allows to increase the safety of the door against hesitating movement keeping the advantage of building energy savings due to the unidirectional mode

- digital electronics controlled by a powerful microprocessor with high filtering capabilities

Detection

- very wide sensing field for greater user comfort and very good side detection due to the oval sensing field shape
- as option, 6 elements antenna for narrow sensing field
- very precise sensing field with reduced dead zone

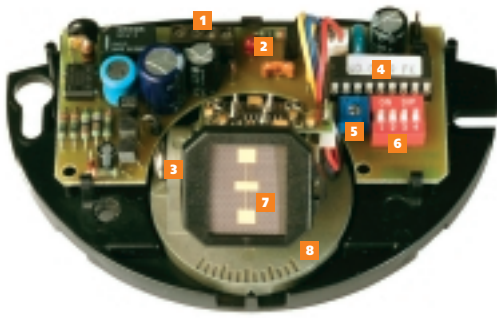
Adjustements for universal use

- 3 D antenna adjustment : the Eagle 5 and 6 antenna can be oriented along two axes :
 - frontal adjustment from 0° to 90° : this means you can place the Eagle sensor back to the ceiling without any further accessory
 - lateral adjustment from 30° left to 30° right : Eagle can be placed on the side of the door with the option of centring the field in front of the door
- high immunity setting in case of difficult situations
- mounting height up to 3 meters (Eagle TWO HM for high mounting situation up to 5 meters)

■ Microwave sensor controlled by microprocessor

Digital motion sensor : the most economical all-round solution for opening of all types of automatic doors (sliding, swinging, revolving, curved...). The sensor adapts itself to every application without the need of additional accessories

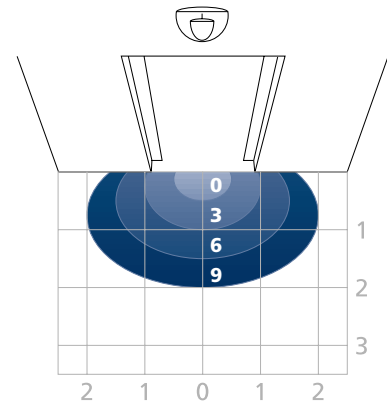




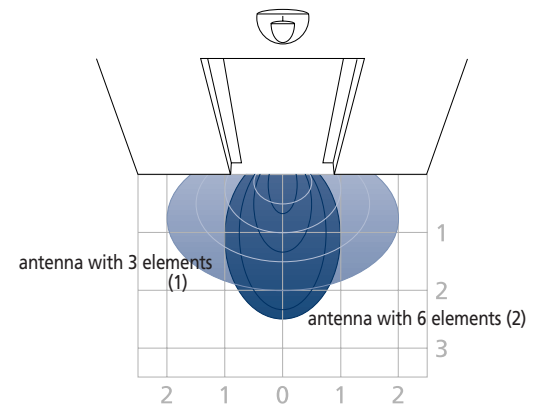
Description

- 1 Terminal block
- 2 LED
- 3 Antenna bracket front adjustment
- 4 Microprocessor
- 5 Potentiometer
- 6 Dip-switches
- 7 Planar antenna
- 8 Ring for lateral adjustment

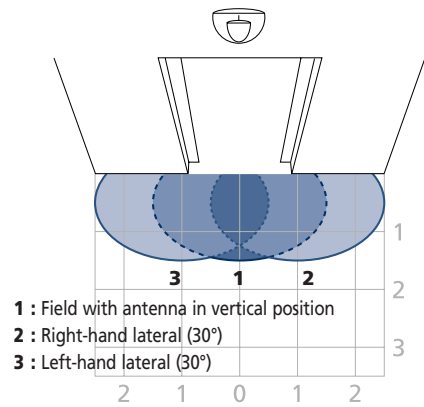
Sensing fields



Sensing fields in accordance with sensitivity setting
mounting height : 2.2 m



Sensings fields in accordance with type of antenna and sensitivity
mounting height : 2.2 m



Sensing fields in accordance with lateral position of antenna
mounting height : 2.2 m

Application



Accessories

- 1. **ECA** : Accessory for mounting in false ceiling
- 2. **ERA** : Rain cover accessory
- 3. **EBA** : another mounting possibility

Technical specifications

Technology	Microwave and microprocessor
Emitted frequency	24,175 GHz
Power density emitted	<< 5mW/cm ²
Mounting height	3 m maximum
Tilt angle	0° to 90° vertical -30° to +30° lateral
Detection area (typical)	
• wide sensing field	4 m (W) x 2 m (D)
• narrow sensing field (option)	2 m (W) x 2,5 m (D)
Detection mode	motion
Minimum speed	5 cm/sec (measured in radar axis)
Power supply	12 to 24 V AC ±10% 12 to 24 V DC +30% / -10%
Mains frequency	50 to 60 Hz
Power consumption	< 2 W
Standard output relay (free potential contact)	<ul style="list-style-type: none"> • Max contact voltage : 60 V DC / 42 V AC • Max contact current : 1 A (resistive) • Max switching power : 30 W (DC) / 60 VA(AC)
Output hold time	0,5 sec
Manual adjustments	<ul style="list-style-type: none"> • orientation of sensing field (mechanically) • shape of sensing field (choice of antenna - option) • sensitivity (by potentiometer) • detection mode (dip-switch #1 - only for Eagle 5) • relay configuration (dip-switch #2) • MTF mode (dip-switch #3 - only for Eagle 5) • immunity (dip-switch #4)
Temperature range	from -20°C to +55°C
Degree of protection	IP 54
Dimensions	80 mm (H) x 120 mm (W) x 50 mm (D)
Weight	0,215 kg
Material	ABS
Colour	Alu, black or white
Cable length	2,5 m

Subject to modifications

