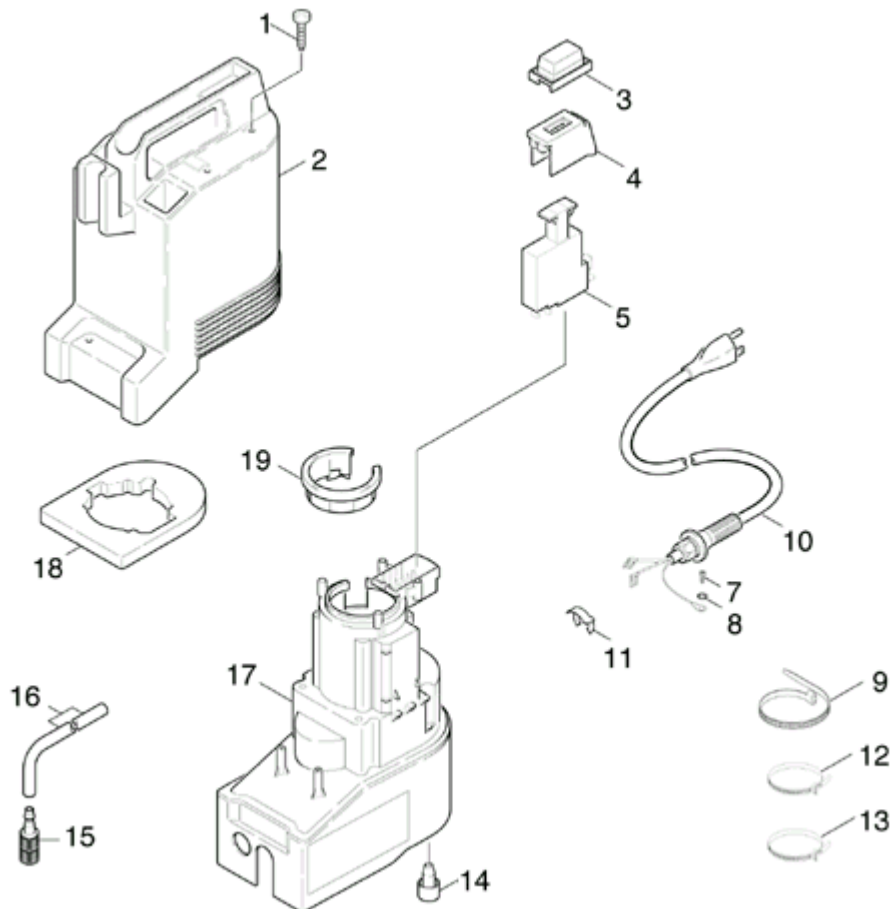


K 355 (1.786-700) Parts List as of July 2001

Karcher Canada

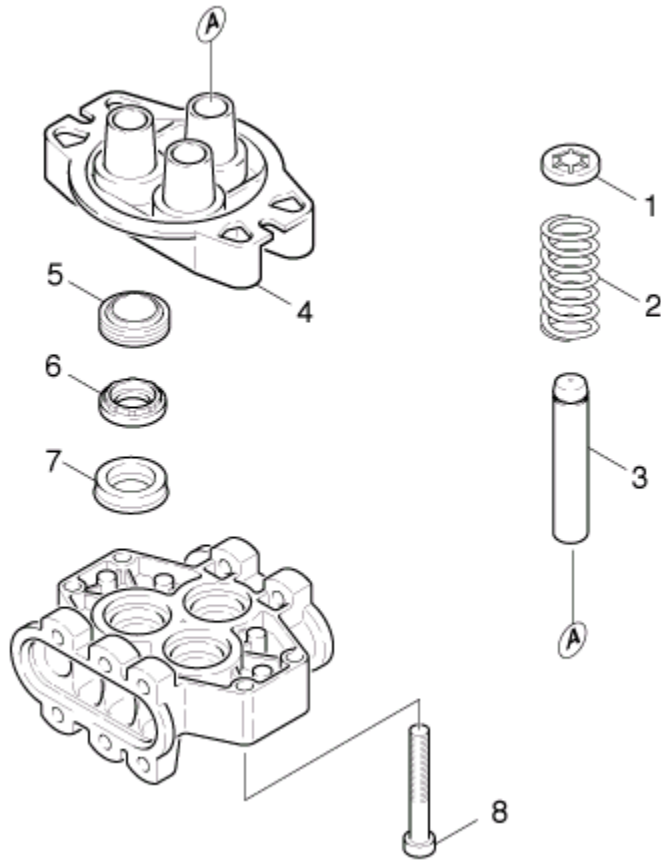
Caution: **Electrical Hazard.** Repairs or attempted repairs by untrained persons may result in damage to the pressure washer and/or personal injury as well as voiding any warranty. Customers are strongly advised to have their machine examined by a trained professional at an authorized Karcher service location.

1.0 Housing



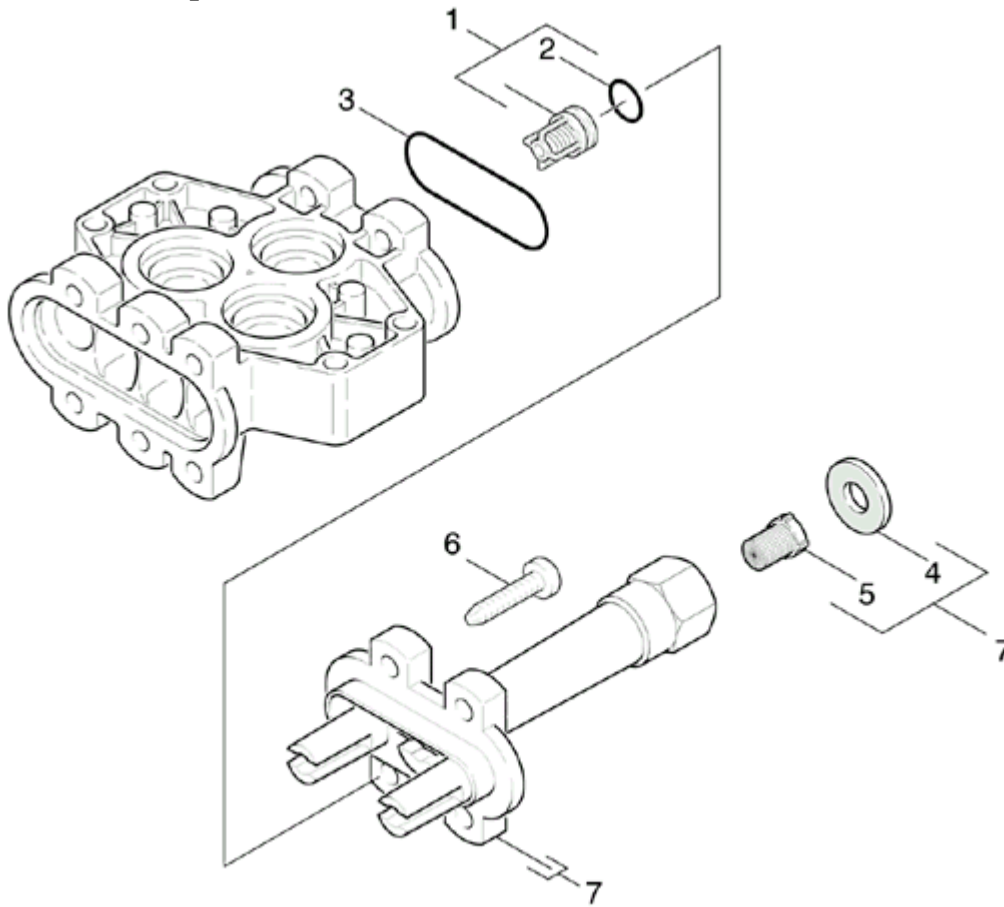
pos	description	part No.	qty	information
1	SCREW	6.303-125.0	6	
2	COVER	5.066-338.0	1	
3	PROTECTING CAP	6.631-550.0	1	
4	BRACKET	5.053-018.0	1	
5	SWITCH	6.631-573.0	1	
7	SCREW	7.303-031.0	1	
8	LOCK WASHER	7.312-163.0	1	
10	CABLE	6.647-021.0	1	
11	SECURING CLIP	6.343-170.0	1	
14	SUPPORT	5.057-042.0	4	IT IS ONLY NECESSARY FOR THE CAP 5.0
15	FILTER	5.731-040.0	1	
16	HOSE	6.388-216.0	1	TO ORDER AS CUT GOODS
17	COVER	5.066-569.0	1	
18	SPLASH GUARD	5.673-052.0	1	
19	PROFILE RING	5.015-052.0	1	

2.1 Piston



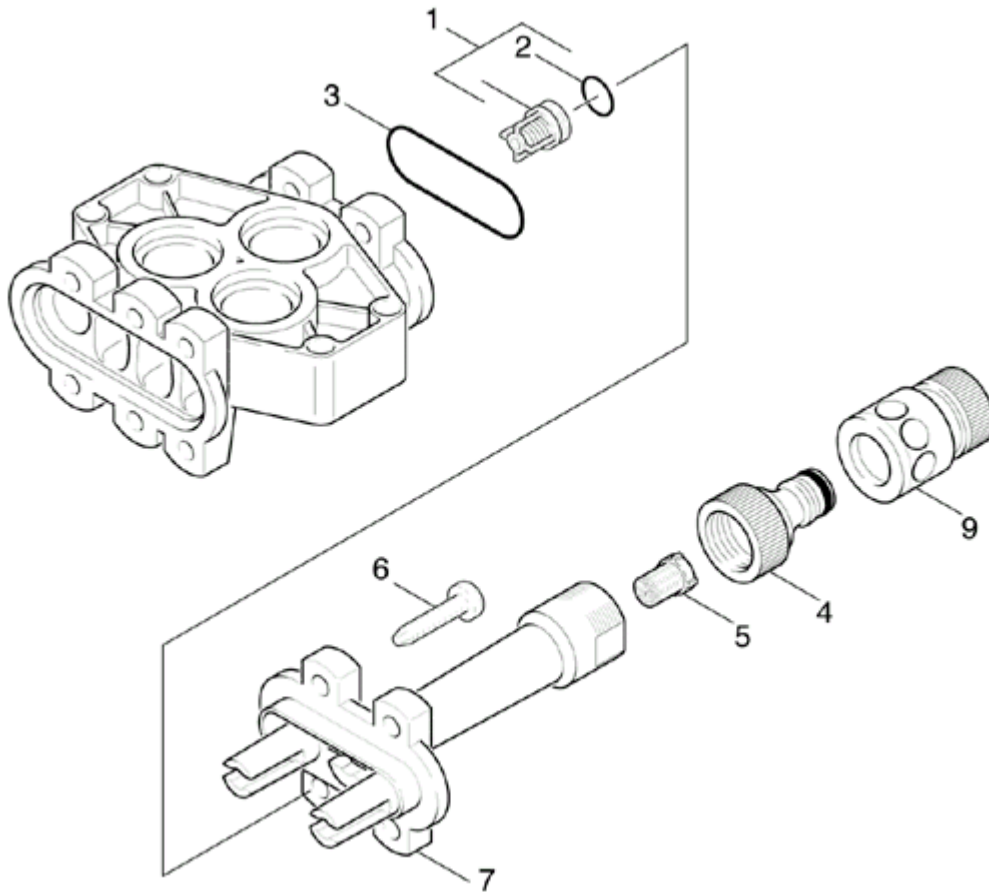
pos	description	part No.	qty	information
1	MOULDED PART	5.030-625.0	3	
2	HELICAL SPRING	5.332-251.0	3	
3	PISTON	5.553-231.0	3	
4	HOUSING	5.060-365.0	1	
5	GROOVED RING	6.365-340.0	3	
6	WASHER	5.115-471.0	3	
7	GROOVED RING	6.365-341.0	3	
8	CHEESE HEAD SCREW	6.304-034.0	4	
100	PUMP SET	2.883-228.0	1	

2.2 Suction (up to serial # 69880)



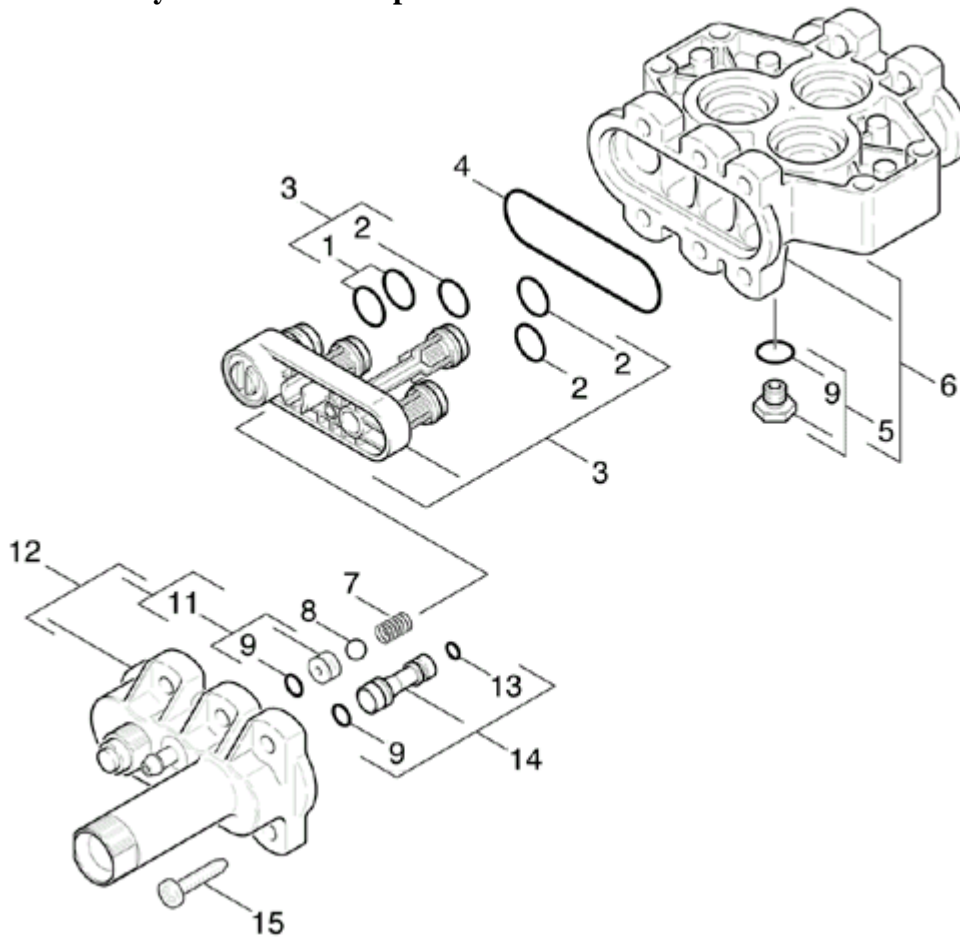
pos	description	part No.	qty	information
1	VALVE	4.580-205.0	3	
2	GASKET	6.362-077.0	3	USE IT ONLY FOR THE
SYNTHETIC VALVE				
2	GASKET	6.362-728.0	3	USE IT ONLY FOR THE
STAINLESS VALVE				
3	GASKET	6.362-216.0	1	
4	SEAL	5.364-129.0	1	
5	STRAINER	6.414-384.0	1	
6	SELF-TAPPING SCREW	6.303-143.0	4	
7	COVER	4.063-152.0	1	
100	PUMP SET	2.883-228.0	1	

2.3 Suction (after serial #69880)



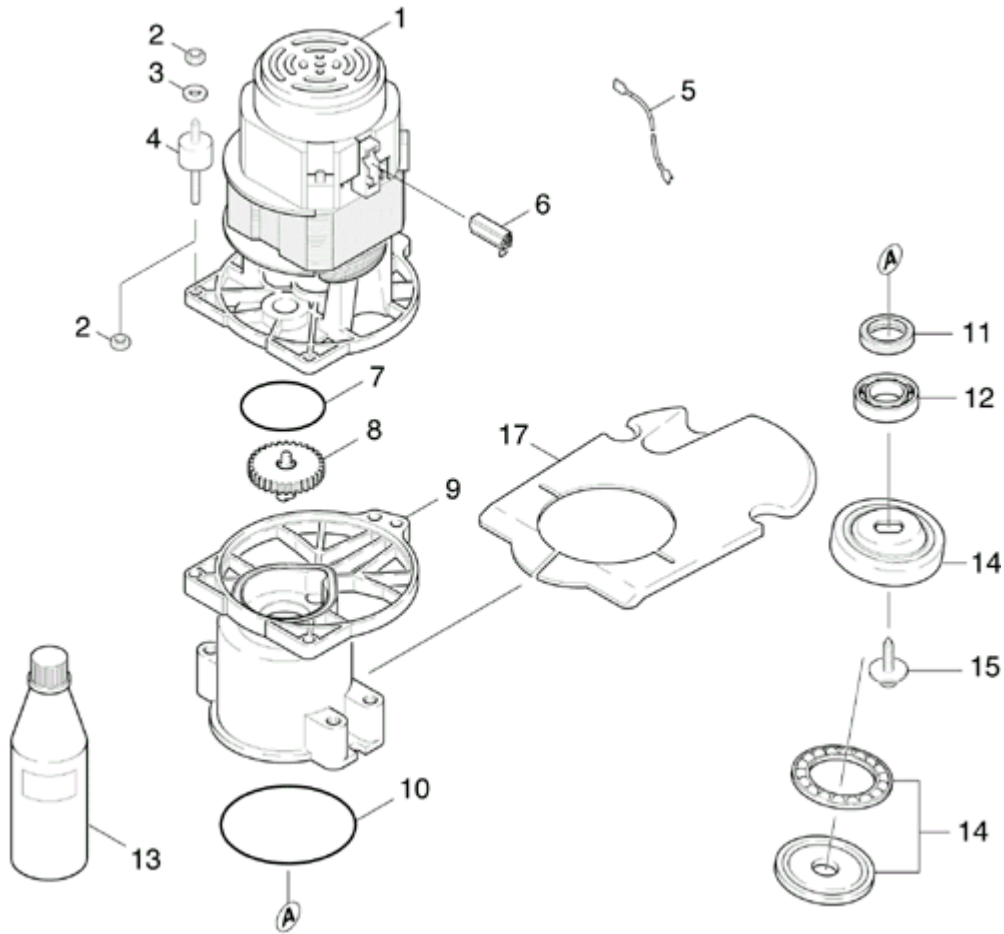
pos	description	part No.	qty	information
1	VALVE	4.580-205.0	3	
2	GASKET	6.362-077.0	3	USE IT ONLY FOR THE SYNTHETIC VALVE
2	GASKET	6.362-728.0	3	USE IT ONLY FOR THE STAINLESS VALVE
3	GASKET	6.362-216.0	1	
4	CONNECTION	6.389-870.0	1	
5	STRAINER	6.414-384.0	1	
6	SELF-TAPPING SCREW	6.303-143.0	4	
7	COVER	5.063-424.0	1	
9	HOSE COUPLING	6.389-716.0	1	
100	PUMP SET	2.883-228.0	1	

2.4 Delivery Side of the Pump



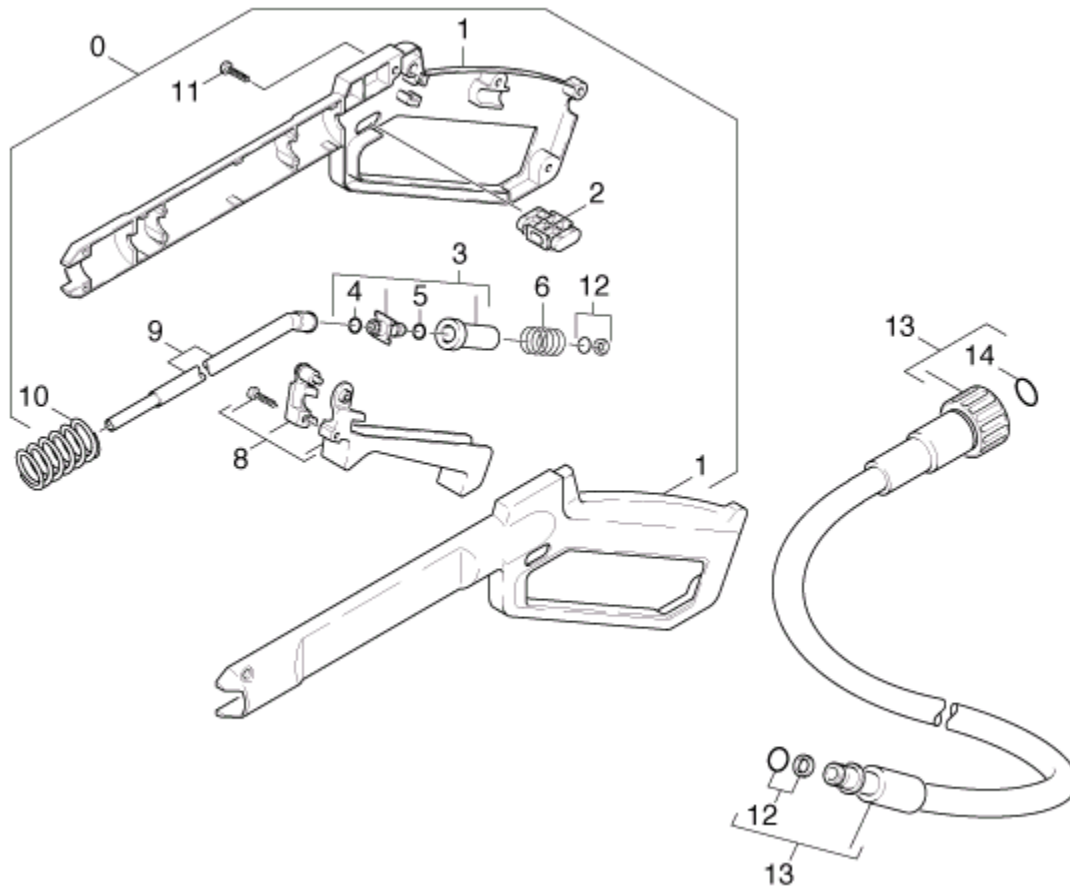
pos	description	part No.	qty	information
1	GASKET	6.362-458.0	2	
2	GASKET	6.362-077.0	3	
3	PRESSURE VALVE	4.580-204.0	1	
4	GASKET	6.362-095.0	1	
5	CLOSING SCREW	4.411-003.0	1	
6	CYLINDER HEAD	4.550-210.0	1	
7	HELICAL SPRING	5.332-258.0	1	
8	BALL	7.401-909.0	1	
9	GASKET	6.362-113.0	3	
11	VALVE SEAT	4.581-017.0	1	
12	LID	4.063-168.0	1	
13	GASKET	6.362-486.0	1	
14	NOZZLE INSERT	4.769-020.0	1	
15	SELF-TAPPING SCREW	6.303-143.0	6	
100	PUMP SET	2.883-228.0	1	

3.0 Motor



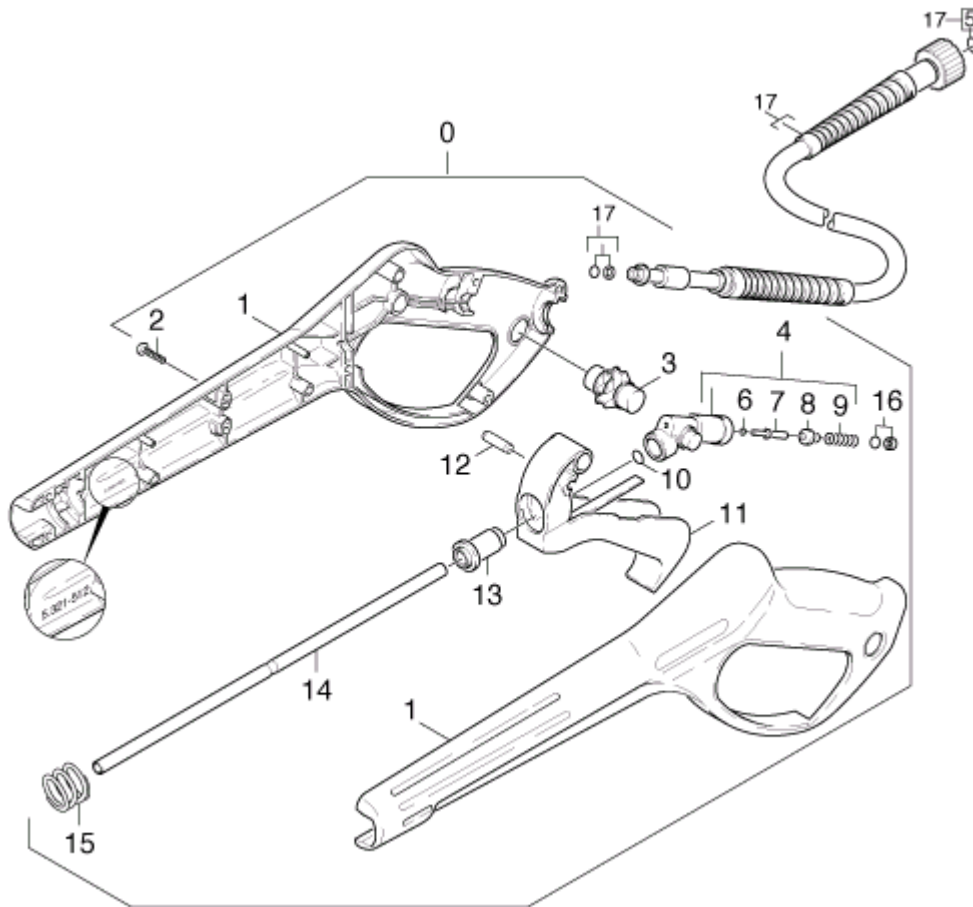
pos	description	part No.	qty	information
1	MOTOR	6.612-232.0	1	
2	HEXAGON NUT	7.311-512.0	1	
3	WASHER	5.115-471.0	1	
4	RUBBER BUFFER	6.339-107.0	1	
5	CABLE	6.647-024.0	1	
6	CARBON BRUSHES	6.610-081.0	1	
7	GASKET	6.362-682.0	1	
8	GEAR WHEEL	4.352-005.0	1	
9	HOUSING	5.060-366.0	1	
10	GASKET	6.362-471.0	1	
11	ROTARY SHAFT SEAL	6.367-014.0	1	
12	BALL BEARING	7.401-121.0	1	
13	ENGINE OIL	6.288-050.0	1	
14	SWASH PLATE	6.401-193.0	1	
15	CHEESE HEAD SCREW	6.304-048.0	1	
17	BOTTOM	5.033-054.0	1	

4.1 Trigger Gun Version 1



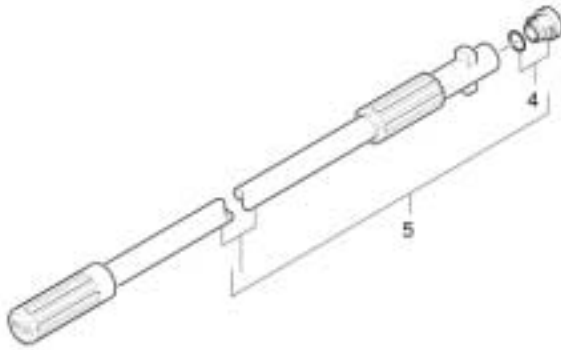
pos	description	part No.	qty	information
0	TRIGGER GUN	4.775-128.0	1	VERSION 1 /
1	HANDLES	5.321-355.0	1	
2	MOULDED PART	5.030-620.0	1	
3	VALVE DISC	4.582-008.0	1	
4	GASKET	6.362-182.0	1	
5	GASKET	6.362-658.0	1	
6	HELICAL SPRING	5.332-248.0	1	
8	SPARE PARTS KIT	2.883-109.0	1	
9	PIPE	5.028-097.0	1	
10	HELICAL SPRING	5.332-247.0	1	
11	OVAL HEAD SCREW	6.303-122.0	6	
12	GASKET	6.363-115.0	1	
13	HIGH PRESSURE HOSE	6.389-555.0	1	
14	SPARE PARTS KIT	2.880-296.0	1	

4.2 Trigger Gun Version 2



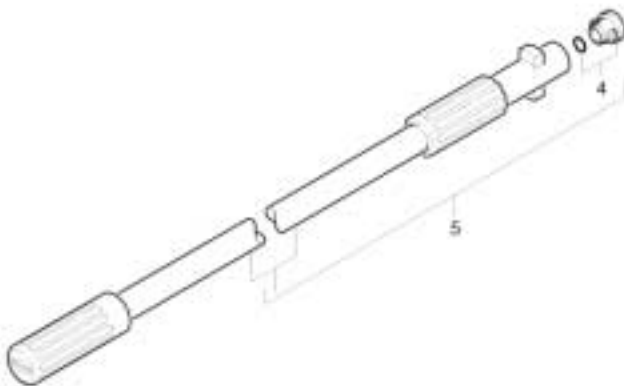
pos	description	part No.	qty	information
0	PISTOL	4.775-264.0	1	
1	HANDLES	5.321-512.0	1	
2	OVAL HEAD SCREW	6.303-122.0	9	
3	LEVER	5.481-189.0	1	
4	MANIFOLD	4.427-178.0	1	
5	SPARE PARTS KIT	2.880-296.0	1	
6	GASKET	7.362-502.0	1	
7	BAR	5.107-147.0	1	
8	VALVE DISC	5.582-058.0	1	
9	HELICAL SPRING	5.332-157.0	1	
10	GASKET	6.362-479.0	1	
11	LEVER	4.481-105.0	1	
12	PIN	5.314-082.0	1	
13	SLEEVE	5.110-539.0	1	
14	PIPE	5.028-905.0	1	
15	PRESSURE SPRING	5.332-349.0	1	
16	GASKET	6.363-115.0	1	
17	HIGH PRESSURE HOSE	6.389-555.0	1	

4.3 Nozzle Version 1



pos	description	part No.	qty	information
4	SPARE PARTS KIT	2.883-111.0	1	
5	JET PIPE	4.760-259.0	1	VERSION 1 /

Version 2 Nozzle



pos	description	part No.	qty	information
4	SPARE PARTS KIT	2.883-111.0	1	
5	JET PIPE	4.760-259.0	1	VERSION 2 /

Karcher Canada 1-888-705-9444