

TYPE 874-GAL ADJUSTABLE ATTENUATOR

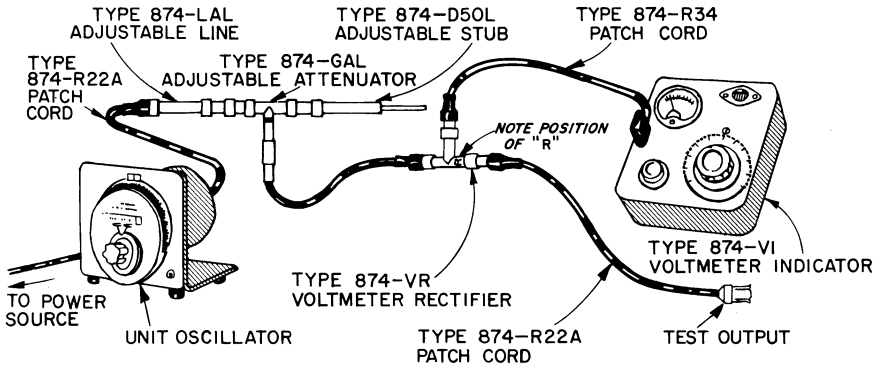


Figure 5. Block diagram of a simple signal generator using the adjustable attenuator and other Type 874 Coaxial Elements.

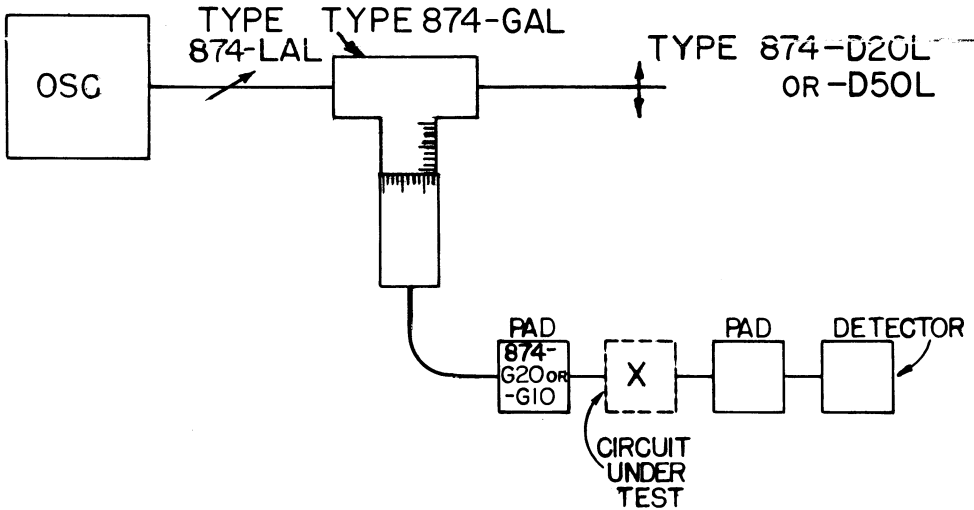


Figure 6. Block diagram of setup for measuring the attenuation of a network.