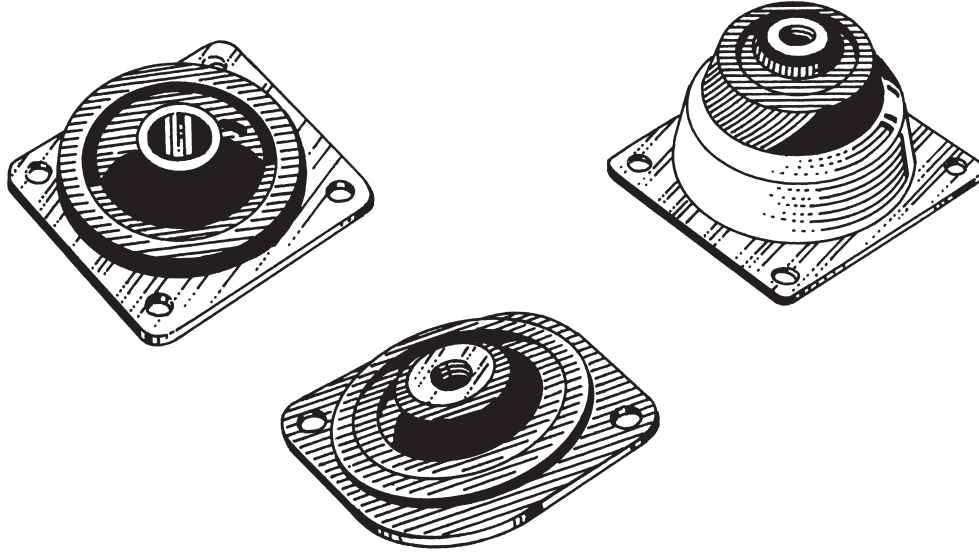


3000 SERIES ISOLATORS

PLATE MOUNTS



- *Medical Equipment*
- *Compressors*
- *Small Pumps*

TYPICAL APPLICATIONS

- *Business Equipment*
- *Office Machines*
- *Electronic Equipment*
- *Computers*
- *Instrumentation*
- *Appliances*

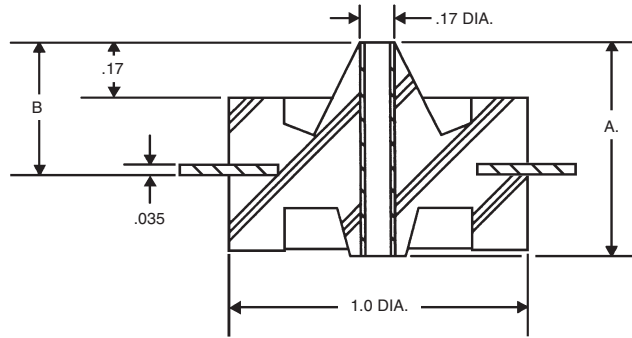
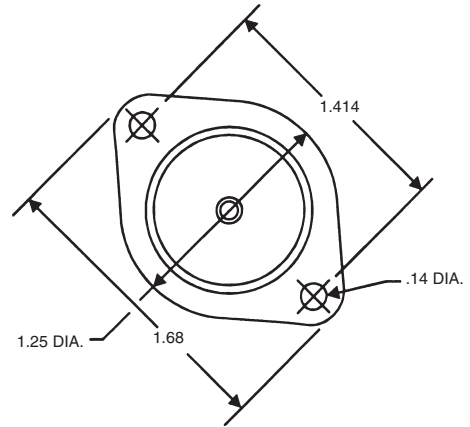
FEATURES

- Excellent isolation of low frequency vibration inputs
- Controls occasional shock inputs
- Prevent transmission of structure-borne noise
- Available in a wide varieties of sizes and load ranges

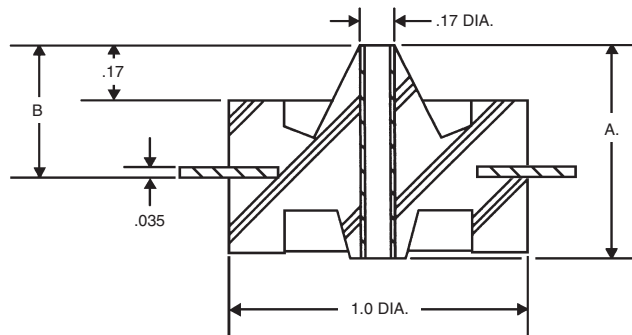
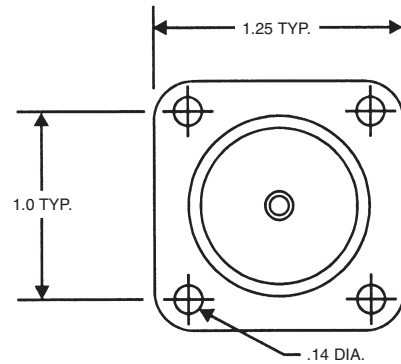
3000 SERIES ISOLATORS

PLATE MOUNTS

PART NUMBER	MAX STATIC LOAD (lbs.)	AXIAL SPRING RATE (lbs./in.)	A height	B height
3001-01	4	62	.75	.45
3001-02	8	125	.75	.45
3001-03	12	190	.75	.45
3001-04	20	330	.75	.45



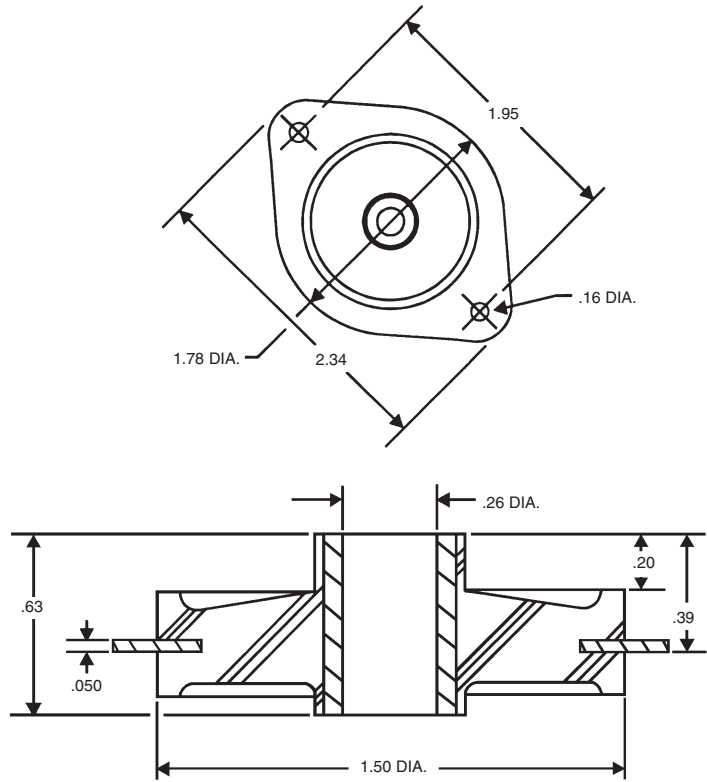
PART NUMBER	MAX STATIC LOAD (lbs.)	AXIAL SPRING RATE (lbs./in.)	A height	B height
3001-51	4	62	.75	.45
3001-52	8	125	.75	.45
3001-53	12	190	.75	.45
3001-54	20	330	.75	.45



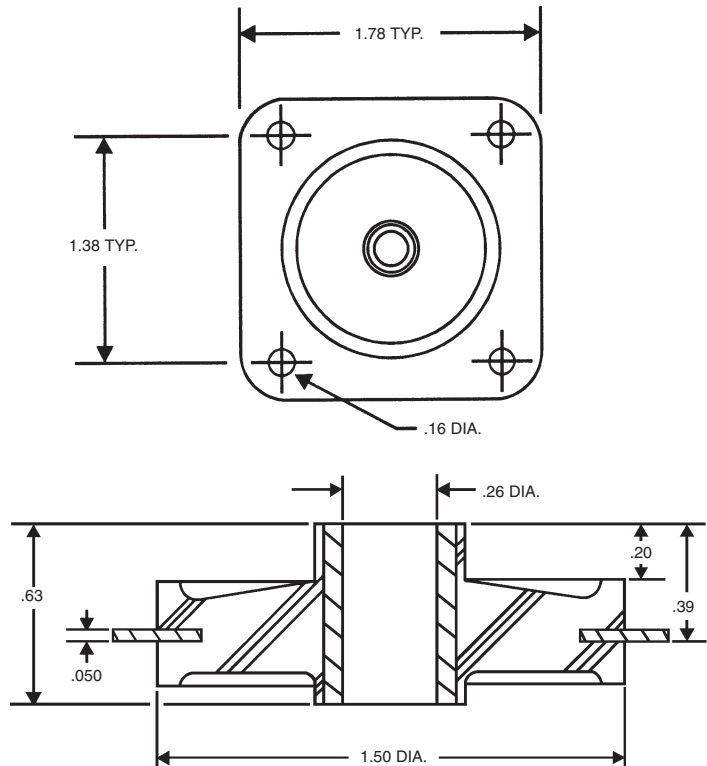
3000 SERIES ISOLATORS

PLATE MOUNTS

PART NUMBER	MAXIMUM STATIC (lbs.)	AXIAL SPRING RATE (lbs./in.)
3002-01	3	33
3002-02	6	63
3002-03	9	100
3002-04	12	130
3002-05	14	163
3002-06	17	192
3002-07	20	220
3002-08	26	290



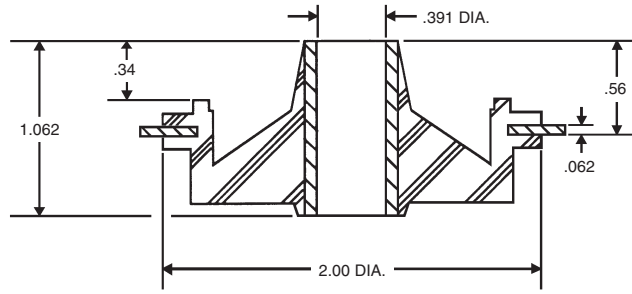
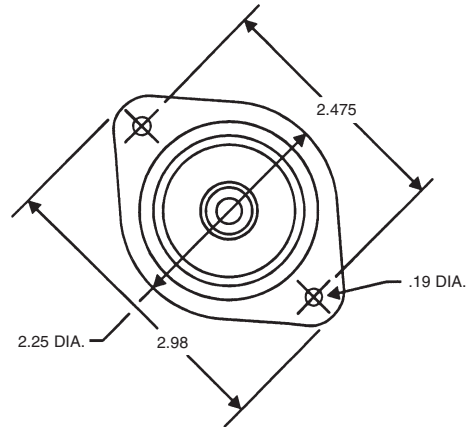
PART NUMBER	MAXIMUM STATIC (lbs.)	AXIAL SPRING RATE (lbs./in.)
3002-51	3	33
3002-52	6	63
3002-53	9	100
3002-54	12	130
3002-55	14	163
3002-56	17	192
3002-57	20	220
3002-58	26	290



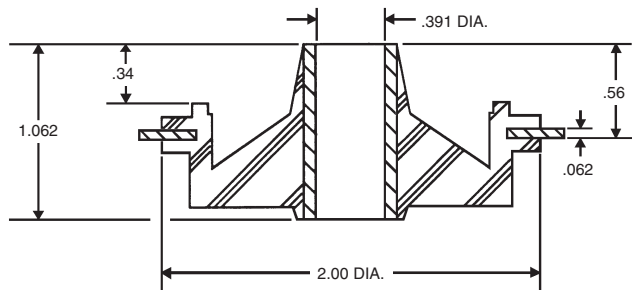
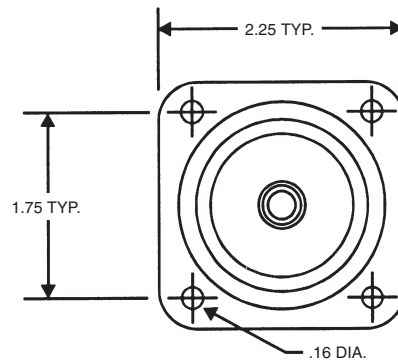
3000 SERIES ISOLATORS

PLATE MOUNTS

PART NUMBER	MAXIMUM STATIC (lbs.)	AXIAL SPRING RATE (lbs./in.)
3003-01	12	67
3003-02	20	110
3003-03	30	155
3003-04	45	240
3003-05	60	315



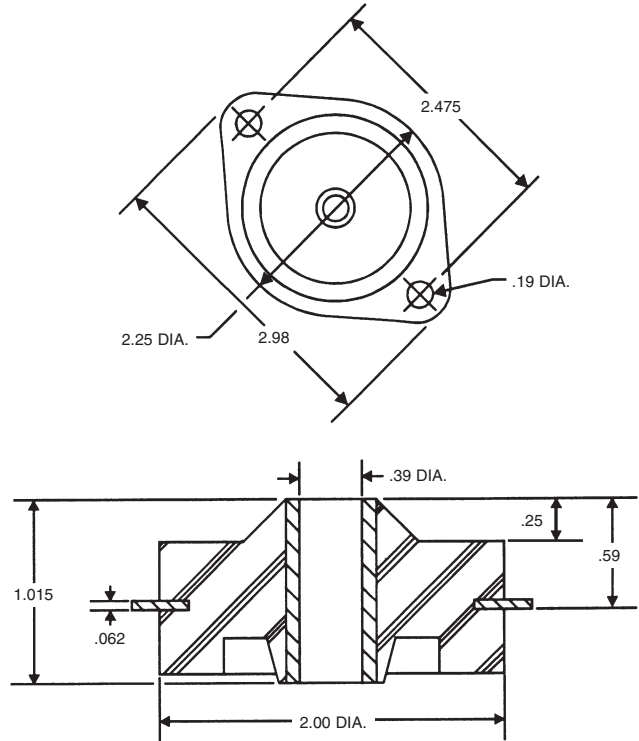
PART NUMBER	MAXIMUM STATIC (lbs.)	AXIAL SPRING RATE (lbs./in.)
3003-51	12	67
3003-52	20	110
3003-53	30	155
3003-54	45	240
3003-55	60	315



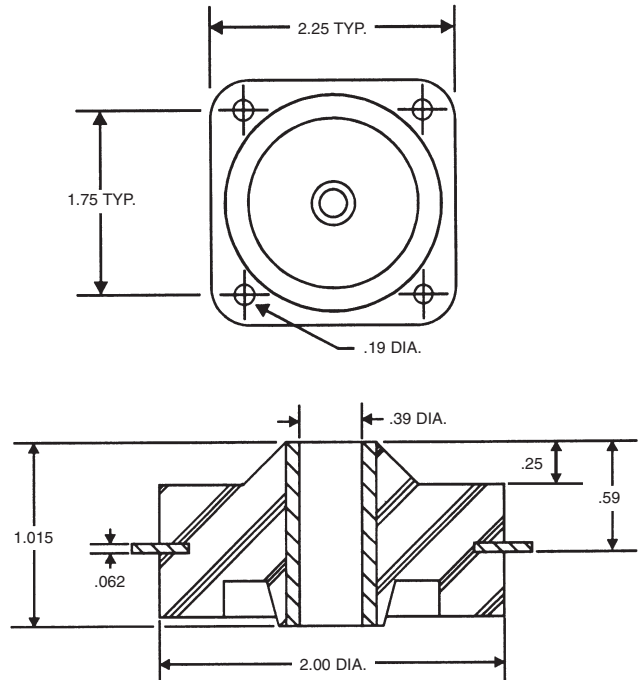
3000 SERIES ISOLATORS

PLATE MOUNTS

PART NUMBER	MAXIMUM STATIC (lbs.)	AXIAL SPRING RATE (lbs./in.)
3004-00	20	160
3004-01	30	230
3004-02	40	300
3004-03	50	385
3004-04	70	530
3004-05	90	690

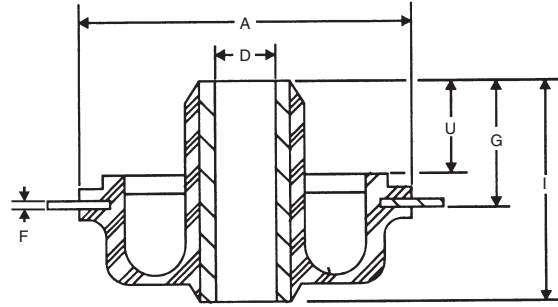
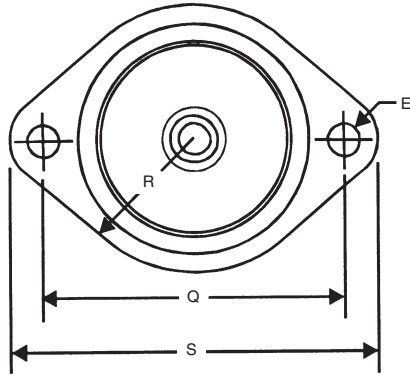


PART NUMBER	MAXIMUM STATIC (lbs.)	AXIAL SPRING RATE (lbs./in.)
3004-50	20	160
3004-51	30	230
3004-52	40	300
3004-53	50	385
3004-54	70	530
3004-55	90	690

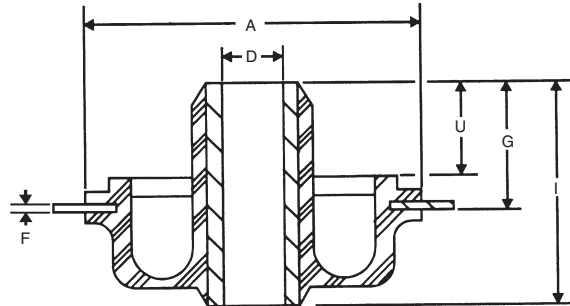
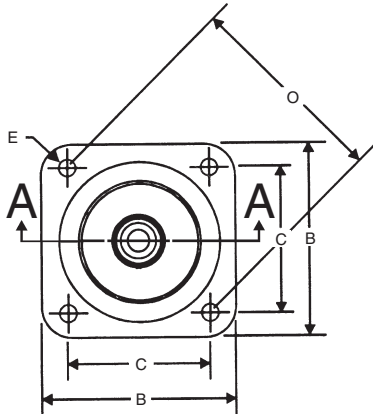


3000 SERIES ISOLATORS

PLATE MOUNTS



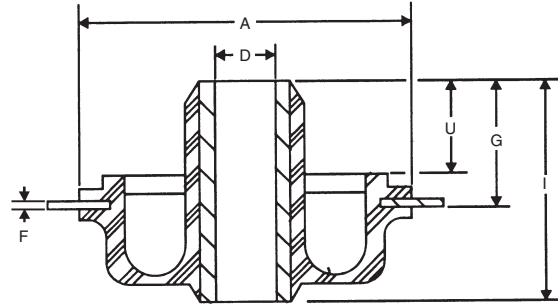
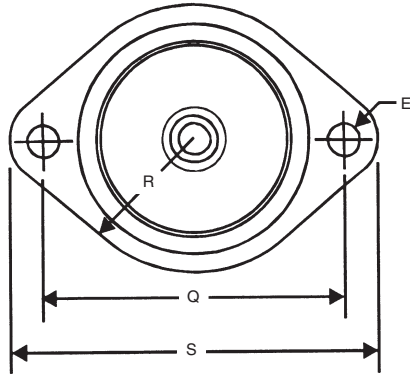
PART NUMBER	AXIAL SPRING RATE (lbs./in.)	MAX LOAD (lbs.)	A	D +0.008 -0.005	E +0.003 -0.002	F	G	I (MIN)	Q	R	S	U
3106-01	5	1	1.00	0.166	0.166	0.032	0.53	0.84	1.414	0.62	1.66	0.38
3106-02	11	2										
3106-03	16	3										
3106-04	21	4										
3106-05	32	6										



PART NUMBER	AXIAL SPRING RATE (lbs./in.)	MAX LOAD (lbs.)	A	B	C	D +0.008 -0.005	E +0.003 -0.002	F	G	I	O	U
3106-51	5	1	1.00	1.25	1.000	0.166	0.166	0.032	0.53	0.84	1.414	0.38
3106-52	11	2										
3106-53	16	3										
3106-54	21	4										
3106-55	32	6										

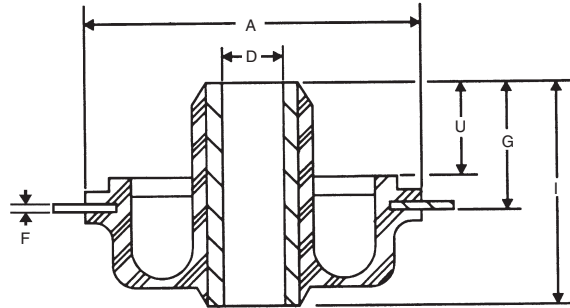
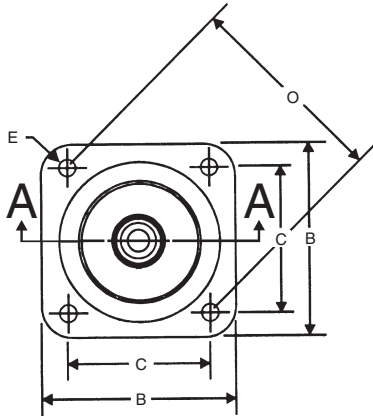
3000 SERIES ISOLATORS

PLATE MOUNTS



SECTION "A-A"

PART NUMBER	AXIAL SPRING RATE (lbs./in.)	MAX LOAD (lbs.)	A	D +.008 -.005	E +.003 -.002	F	G	I (MIN)	Q	R	S	U
3156-01	32	6	1.50	0.257	0.166	0.050	0.55	0.97	1.945	0.88	2.32	0.38
3156-02	48	9										
3156-03	69	13										
3156-04	85	16										

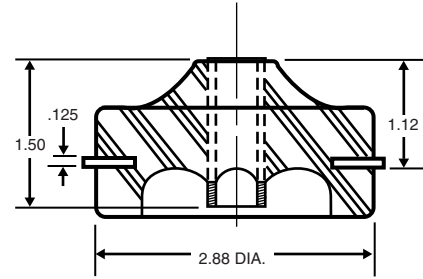
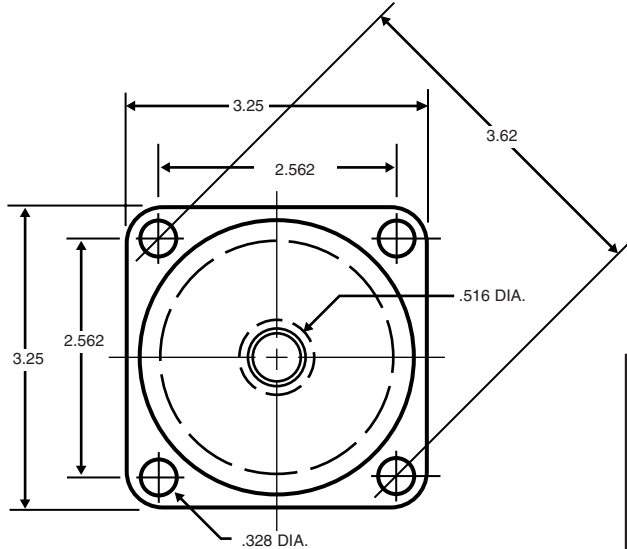


SECTION "A-A"

PART NUMBER	AXIAL SPRING RATE (lbs./in.)	MAX LOAD (lbs.)	A	B	C	D +.008 -.005	E +.003 -.002	F	G	I	O	U
3156-51	32	6	1.50	1.75	1.375	0.257	0.166	0.050	0.55	0.97	1.945	0.38
3156-52	48	9										
3156-53	69	13										
3156-54	85	16										

3000 SERIES ISOLATORS

PLATE MOUNTS



PART NUMBER	DUROMETER
3011-01	30
3011-02	40
3011-03	50
3011-04	60
3011-05	70