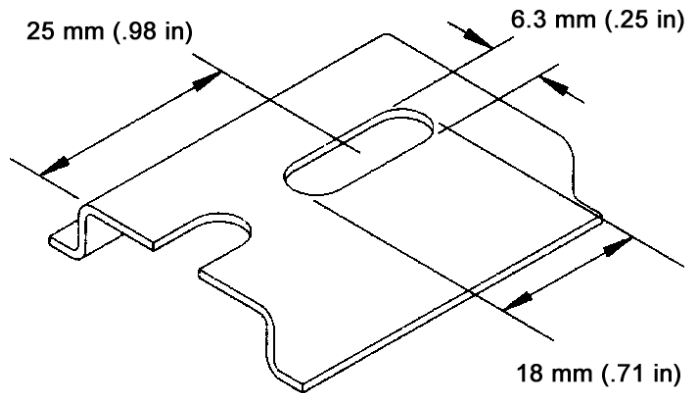


DIN Rail Makes Mounting a Snap

Model ERS35

Description

Model **ERS35** is a one meter length of steel 35mm DIN rail. The ERS35 can be used to easily mount any B&B DIN product. Perforations in the DIN rail make mounting of the rail an easy task. Coated for corrosion resistance.



Specifications

DIN type:	35 mm
Material:	Steel
Overall dimensions*:	1000 x 35 x 7.5 mm (39.4 x 1.38 x .3 in)
Perforation dimensions*:	18 x 6.3 mm (.71 x .25 in)
Perforation center to center spacing:	25 mm (.98 in)

**Note that the dimensions are approximate.*

B&B Electronics -- February 2000

Phone: (815) 433-5100
Office Fax: (815) 433-5105
Tech Fax: (815) 433-5104
Sales Fax: (815) 433-5109

B & B electronics
MANUFACTURING COMPANY
707 Dayton Road – P.O. Box 1040 – Ottawa, IL 61350 USA

Home Page: www.bb-elec.com
E-mail: sales@bb-elec.com
support@bb-elec.com
catrqt@bb-elec.com