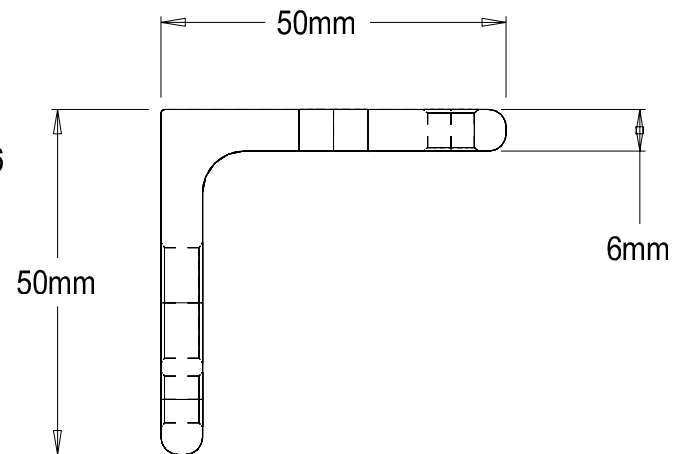
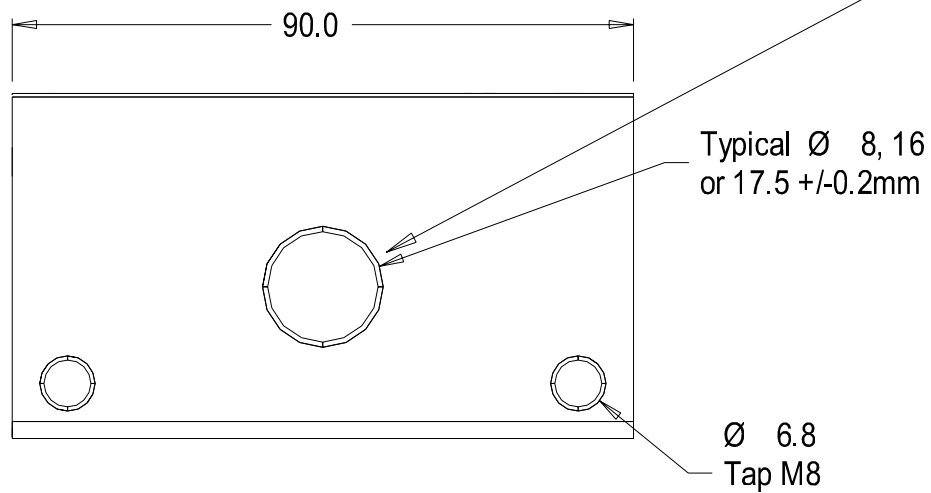



Typical EMP and/or  
Aerial Fixing  
(1 or 2 Holes)



MATERIAL	Angle
	50x50x6
ALLOY	SS-304
EST. AREA	xxx mm
EST. WEIGHT	xxx kg/m
EST. PERIPHERY	EXT: xxx mm
	TOT: xxx mm
TOLERANCE	
	0.00mm ±0.1mm
	00.0mm ±0.25mm
	000.0mm ±0.5mm
	0-600mm ±0.1mm
	> 600mm ±0.5mm
BS1474:1987	
APPLIES UNLESS OTHERWISE SPECIFIED	
JOB No.	3026

CASA Part Number = BKT-90x50x6-17-70-SS304(EXI)

 <b>Modular Systems</b> P.O. BOX 38-828, WELLINGTON, NEW ZEALAND TELEPHONE : (64-4) 5687 277 FACSIMILE : (64-4) 5685 161	CUSTOMER : <b>CASA Modular Systems</b>		SIZE	DRAWING Reference No.	ISSUE
	DESCRIPTION : <b>BRACKET 90x50x50x6 SS304</b>		<b>A4</b>	<b>BKT-EXIC</b>	<b>A</b>
DRAWN : <b>AWD</b>	DATE : <b>12/02/2000</b>	APPROVED : <b>?</b>	DWG. SCALE : <b>1:1</b>	© COPYRIGHT : CASA Modular Systems ALL RIGHTS RESERVED	