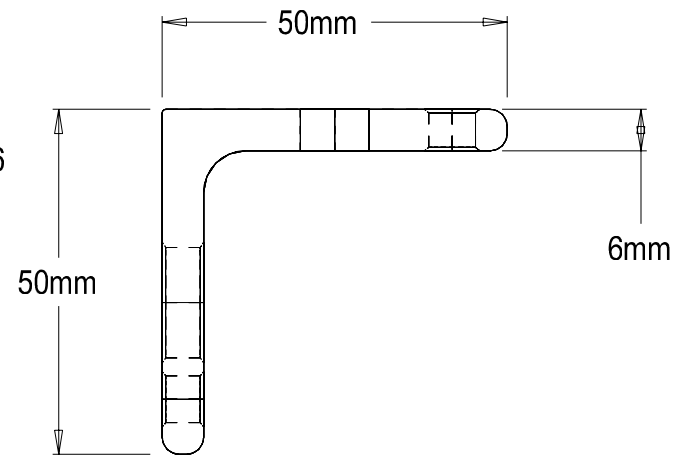
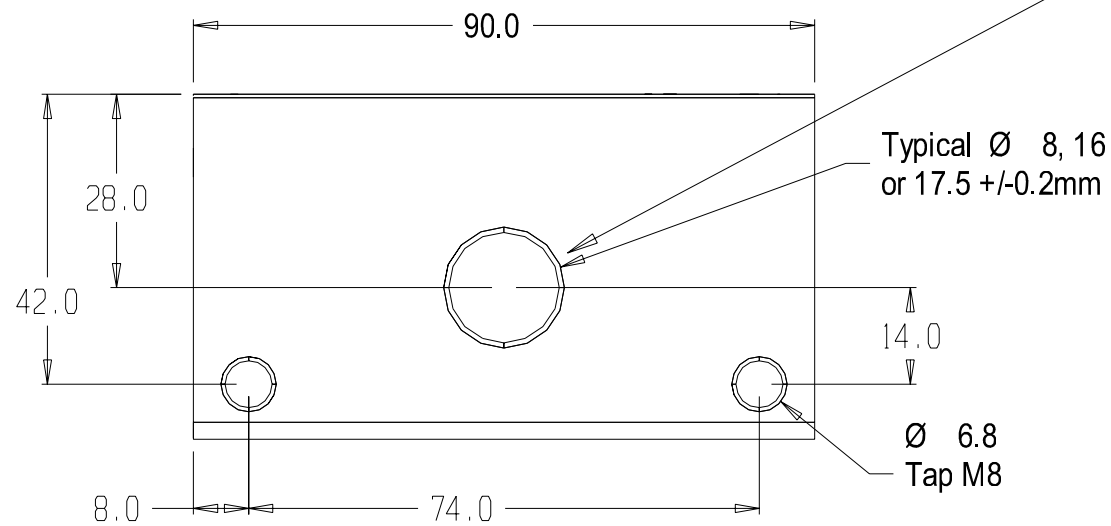


Typical EMP and/or
Aerial Fixing
(1 or 2 Holes)



MATERIAL	Angle
Angle	50x50x6
ALLBY	SS-304
EST. AREA	xxx nn
EST. WEIGHT	kg/n
EST. PERIPHERY	EXT: xxx nn
TOT: xxx nn	
TOLERANCE	
0-100mm	±0.1mm
100-200mm	±0.25mm
200-300mm	±0.5mm
300-600mm	±0.1mm
> 600mm	±0.5mm
BS1474:1987	
APPLIES UNLESS OTHERWISE SPECIFIED	
JOB No.	3026

CASA Part Number = BKT-90x50x50x6-17-70-SS304(EXI)

CASA Modular Systems
 P.O. BOX 38-828, WELLINGTON, NEW ZEALAND
 TELEPHONE : (64-4) 5687 277
 FACSIMILE : (64-4) 5685 161

CUSTOMER : CASA Modular Systems		SIZE	DRAWING Reference No.	ISSUE
DESCRIPTION : BRACKET 90x50x50x6 SS304		A4	BKT-EXIC	A
DRAWN : AWD	DATE : 24/08/98	APPROVED : ?	DWG. SCALE : 1:1	© COPYRIGHT : CASA Modular Systems ALL RIGHTS RESERVED