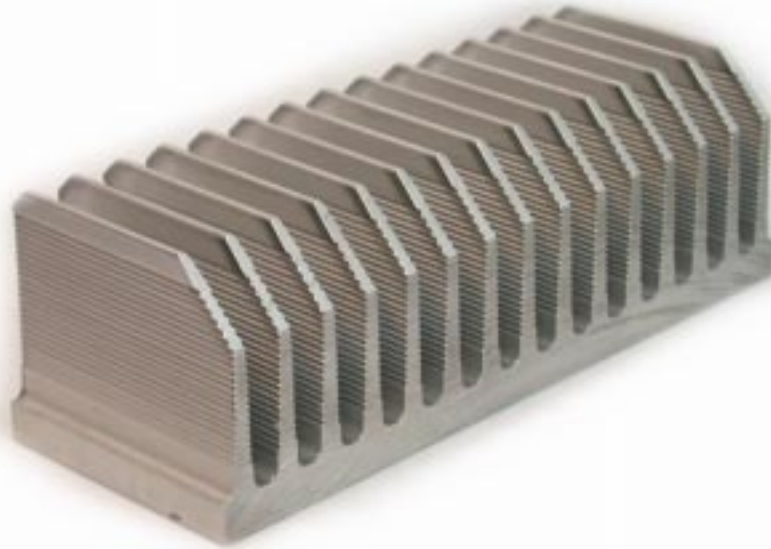


## Type 4149 Heatsink



Full Size illustration is Model = HS-4158-xx.....Source file = HS-4159-8.WMF

This proprietary FLAT-BACK Heatsink has been designed to satisfy applications where a high thermal mass (high transient dissipation) is required together with a flat mounting surface for RF, Audio, Industrial or other Semiconductor Power Devices. Custom machining can be undertaken by CASA to suit special requirements. "TEE" adaptors are available pre-punched for TO3 or manufactured to suit other packages and Customer special needs (please enquire giving details of desired features and facilities, quantities etc.). Standard STOCK lengths are chosen to match the Rear Panel Heights of CASA Rack Mounting Modules. Other lengths (in any quantity 1-10,000) can be quickly and economically processed. CASA has 20 years experience in professional quality Heatsink manufacturing and is happy to discuss adaptations of CASA standard extrusions, new designs and any other variations or features which you may require.

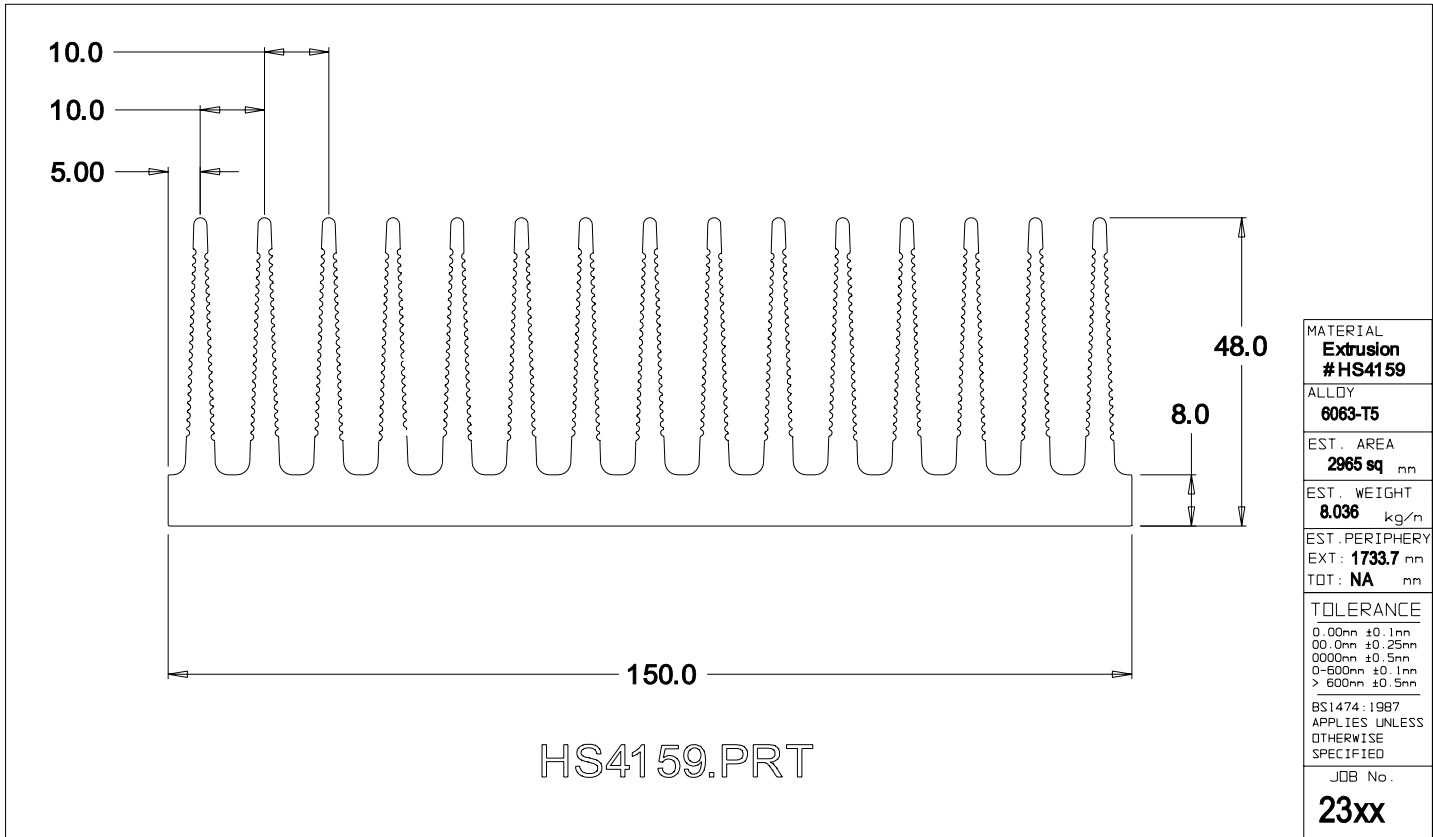
### Specification Details:-

→	<b>Standard Lengths:</b>	75mm (2 unit) 120mm (3 unit) 165mm (4 unit) 210mm (5 unit)
→	<b>Special Lengths to order:</b>	50mm-250mm
→	<b>Cutting Tolerance:</b>	+/- 0.1mm (to 500mm)
→	<b>Finishes:</b> (full deburring of all holes & edges is standard)	Natural Black Anodized
→	<b>Fixing Holes:</b>	Tapped M4/M5 etc (Custom mountings)
→	<b>Thermal Rating:</b> (measured on 75mm sample, natural finish)	est. 0.9°C/Watt @ 25°C ambient temperature
→	<b>Weight:</b>	8.036Kg/metre
→	<b>Periphery:</b> (multiply by length for surface area)	1733.7mm
→	<b>Crosssection:</b> (sectional area of extrusion)	2965.1sq mm
→	<b>Material:</b> (Extruded Aluminum Alloy to BS-1474)	AA6063-T5

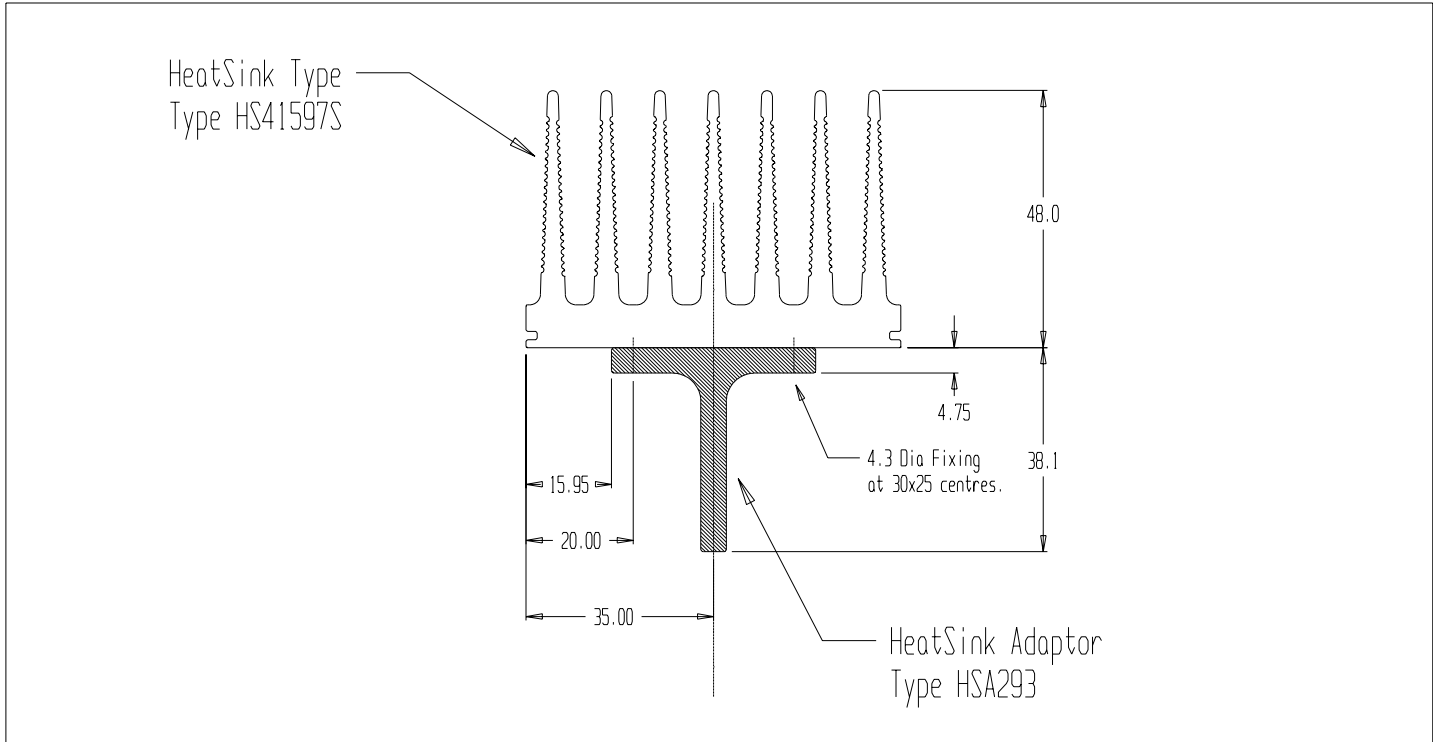
### Intelligent Part Number: HS-4159(Tz)-xx-F(special adder/suffix)

Please compose a Part Number according to this system and use on your official order.

<b>HS-</b>	Prefix to indicate "HEATSINK" or related products or accessories.
<b>4159-</b>	CASA's EXTRUSION or TYPE / Reference number.
<b>Tz-</b>	Optional Trim to custom size - where "z" = number of fins. (Remove brackets when used)
<b>xx-</b>	Overall cut LENGTH in millimeters
<b>F-</b>	The FINISH applied to the part (NA=Natural, BA=Black Anodized, AD=Alodine Dip)
<b>(-----)</b>	Special adder or suffix for brief customer reference detail.



 P.O. BOX 38-828, WELLINGTON, NEW ZEALAND TELEPHONE : (64-4) 9393 777 FACSIMILE : (64-4) 9393 778	CUSTOMER : <b>CASA Modular Systems</b> DESCRIPTION : <b>HEATSINK Outline &amp; Detail</b>	SIZE : <b>A4</b>	DRAWING Reference No. : <b>HS4159</b>	ISSUE : <b>A</b>
	DRAWN : <b>A.W.D</b> DATE : <b>17/06/00</b> APPROVED : <b>?</b> DWG. SCALE : <b>1:1</b>	© COPYRIGHT : CASA Modular Systems ALL RIGHTS RESERVED		



HeatSink Type  
Type HS41597S

JOB No.  
**23xx**

 P.O. BOX 38-828, WELLINGTON, NEW ZEALAND TELEPHONE : (64-4) 5687 277 FACSIMILE : (64-4) 5687 161	CUSTOMER : <b>CASA Modular Systems</b> DESCRIPTION : <b>Custom HEATSINK &amp; Adaptor</b>	SIZE : <b>A4</b>	DRAWING Reference No. : <b>HS4159TA</b>	ISSUE : <b>A</b>
	DRAWN : <b>A.W.D</b> DATE : <b>10/11/93</b> APPROVED : <b>?</b> DWG. SCALE : <b>1:1</b>	© COPYRIGHT : CASA Modular Systems ALL RIGHTS RESERVED		