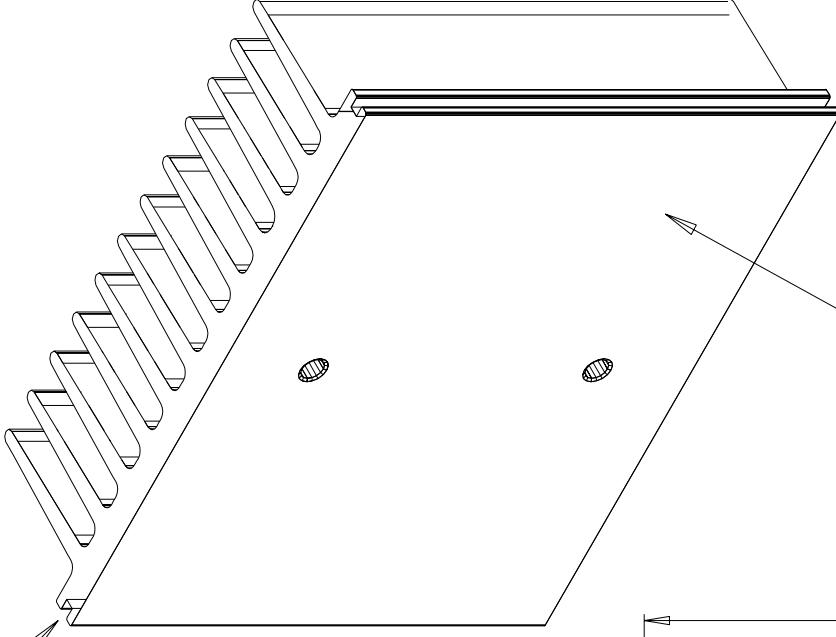
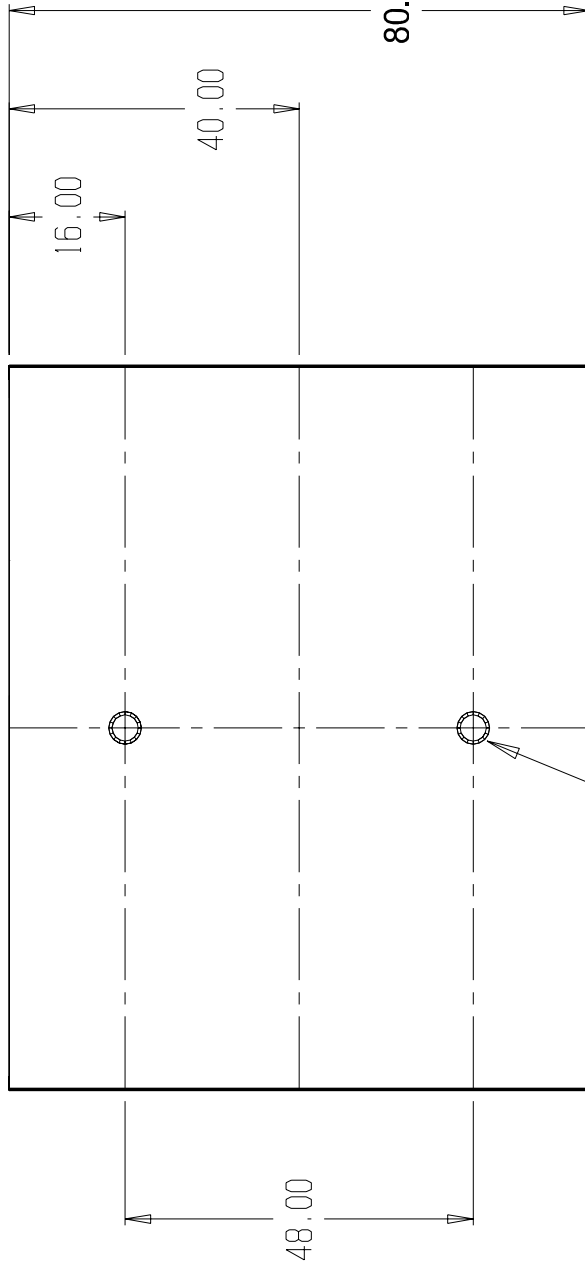
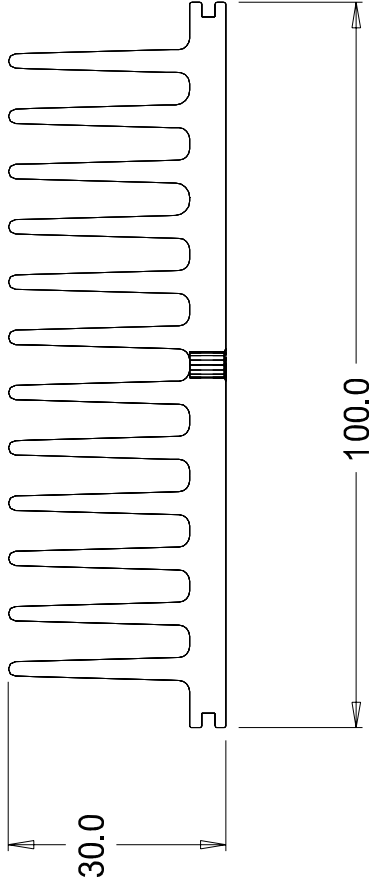


CASA Part No. = HS-5084-80N(SSR)  
 or for 120mm = HS-5084-120N(SSR)



Heatsink Extrusion  
 Reference HS-5084.PRT

2 Holes 3.6dia  
 Roll Tap M4x0.7

MATERIAL Aluminum Extrusion
ALLOY 6063-T5
EST. AREA 1145 mm
EST. WEIGHT 0.25 kg
EST. PERIPHERY EXT : 927 mm
TOT : 927 mm
TOLERANCE 0-60mm ±0.1mm 60-100mm ±0.25mm 100-300mm ±0.5mm 300-600mm ±0.7mm 600-900mm ±1.0mm > 900mm ±1.5mm
BS1474 : 1987 APPLIES UNLESS OTHERWISE SPECIFIED
JOB No. 2648

CUSTOMER : <b>CASA Modular Systems Ltd</b>	SIZE A4	DRAWING Reference No.   ISSUE HS5084-80SSR   A
DESCRIPTION : <b>Heatsink for SS Relay</b>		
DRAWN : <b>AWD</b>	DATE : 22/09/00	DWG. SCALE : 1:1
APPROVED : <b>?</b>		
COPYRIGHT : CASA Modular Systems ALL RIGHTS RESERVED		

<b>CASA</b> Modular Systems
P.O. BOX 38-828, WELLINGTON, NEW ZEALAND
TELEPHONE : (64-4) 5687 277
FACSIMILE : (64-4) 5685 161