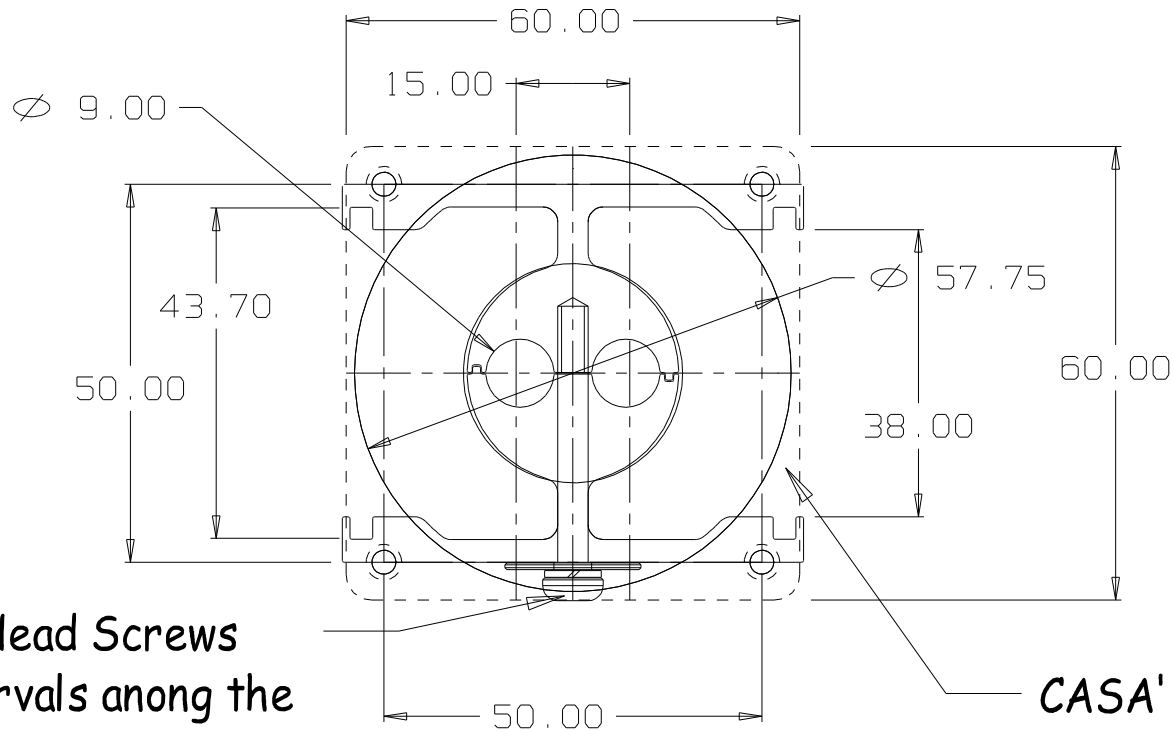


CASA Drawing Name
"Krypton-Fan-HS2.PRT"
25/10/04

Krypton Heatsink Tunnel
for 60mm fan with 29mm
central hub - Sunon type
KD1206PTS1/B1 or similar



M4 x 30mm Pan Head Screws
at 50~75mm intervals along the
central axis of assembly with
10mm OD x 0.9 Washer (or sub-
chassis) + Spring Washer under
the head

CASA's 1U x 3mm extruded panel