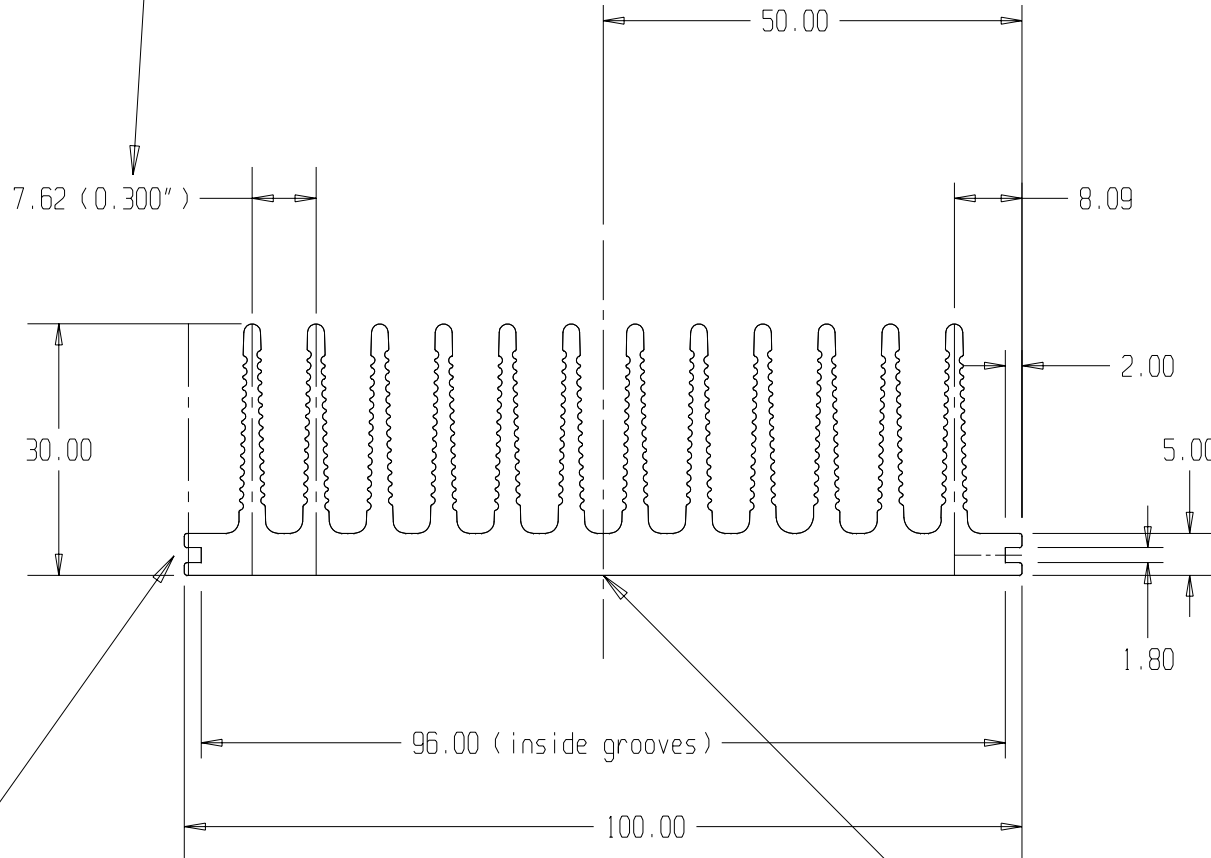


Fin Pitch = 0.300" to match
easy PCB Layout etc.



Grooves to match CB10~19 Corner Bars etc.

Pattern "HS5984.PTN"

MATERIAL Extrusion No UA2651
ALLOY 6063-T5
EST. AREA 1144.9 mm
EST. WEIGHT 3.102 kg/m
EST. PERIPHERY EXT: 927 mm TOT: 927 mm
TOLERANCE 0.00mm ±0.1mm 00.0mm ±0.25mm 0000mm ±0.5mm 0-600mm ±0.1mm > 600mm ±0.5mm
BS1474:1987 APPLIES UNLESS OTHERWISE SPECIFIED
JOB No. 26xx

 Modular Systems P.O. BOX 38-828, WELLINGTON, NEW ZEALAND TELEPHONE : (64-4) 9393 777 FACSIMILE : (64-4) 9393 778	CUSTOMER : CASA Modular Systems		SIZE : A4	DRAWING Reference No. : HS-5084	ISSUE : A
	DESCRIPTION : HEATSINK 100x30 Flat Back		© COPYRIGHT : CASA Modular Systems ALL RIGHTS RESERVED		
DRAWN : AWD	DATE : 07/02/00	APPROVED : ?	DWG. SCALE : 1:1		