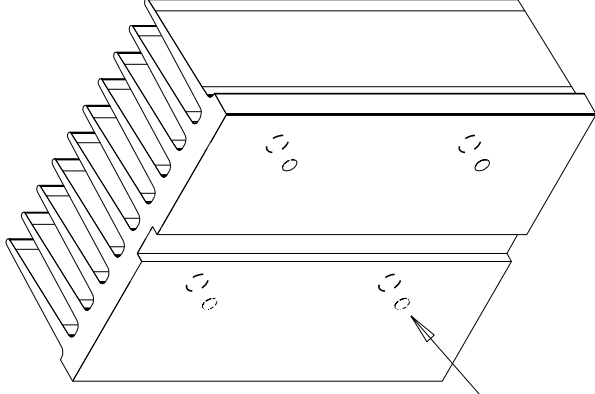
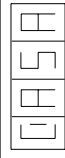


4 Holes 3.8mm Dia counterbored 6~6.35mm
from fin side 40mm deep (for M3 screws)



MATERIAL Extrusion No.4159	ALLOY 6063-T5	EST. AREA mm	EST. WEIGHT kg/m	EST. PERIPHERY EXT: XX TOT: XX	TOLERANCE 0-100mm ±0.1mm 100-250mm ±0.25mm 250-500mm ±0.5mm 500-600mm ±0.1mm > 600mm ±0.5mm	BSI.474:1987 APPLIES UNLESS OTHERWISE SPECIFIED	JOB No. XXXX
----------------------------------	------------------	-----------------	---------------------	--------------------------------------	--	--	-----------------

3								
2								
1	10mm x 3mm deep slot added	AWD	4/8/00					
No		REVISION DETAIL	DRAWN DATE	APP'D				



P.O. BOX 38-828, WELLINGTON, NEW ZEALAND
TELEPHONE : (64-4) 9393 777
FACSIMILE : (64-4) 9393 778

CUSTOMER : International Dynamometers		
DESCRIPTION : Custom Heatsink		
DRAWN : AWD	DATE : 04/08/00	APPROVED : ?
DWG. SCALE : 1:1		

DRAWING Reference No.	SIZE	ISSUE
HS415910ID	A4	A
		© COPYRIGHT : CASA Modular Systems ALL RIGHTS RESERVED