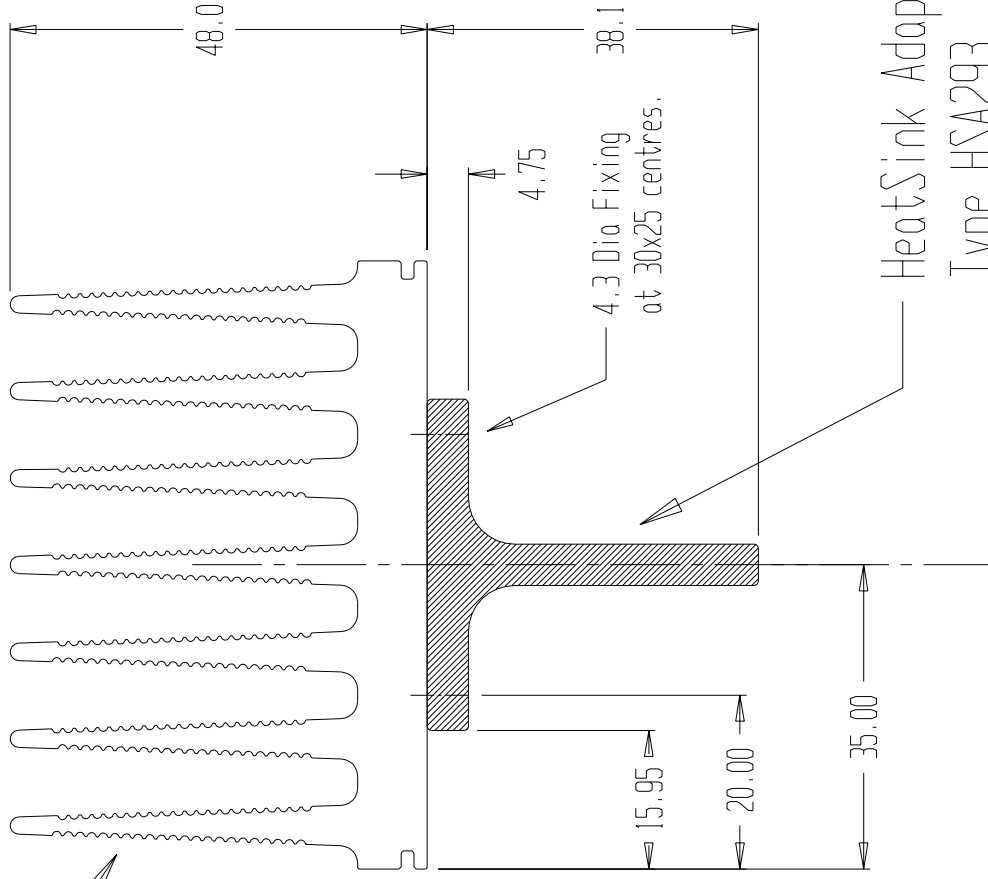


Heatsink Type
Type HS41597S



JOB No.
23XX

SIZE	DRAWING Reference No.	ISSUE
A4	HS4159TA	A

CUSTOMER : CASA Modular Systems		APPROVED : ?	
DESCRIPTION : Custom HEATSINK & Adaptor		DATE :	DWG. SCALE :
DRAWN :	10/11/93	1 : 1	
A. W. D			

CASA Modular Systems
P. O. BOX 38-828, WELLINGTON, NEW ZEALAND
TELEPHONE : (64-4) 5687 277
FACSIMILE : (64-4) 5687 161

© COPYRIGHT : CASA Modular Systems
ALL RIGHTS RESERVED