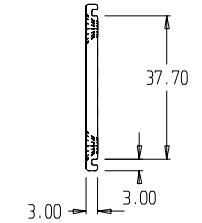
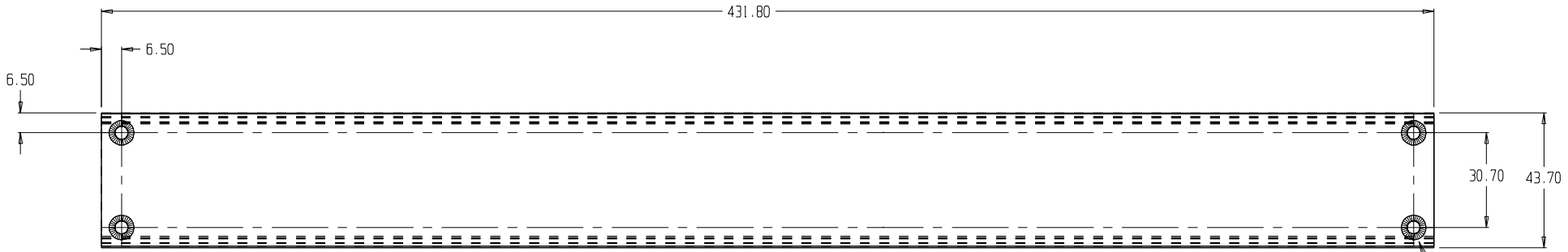


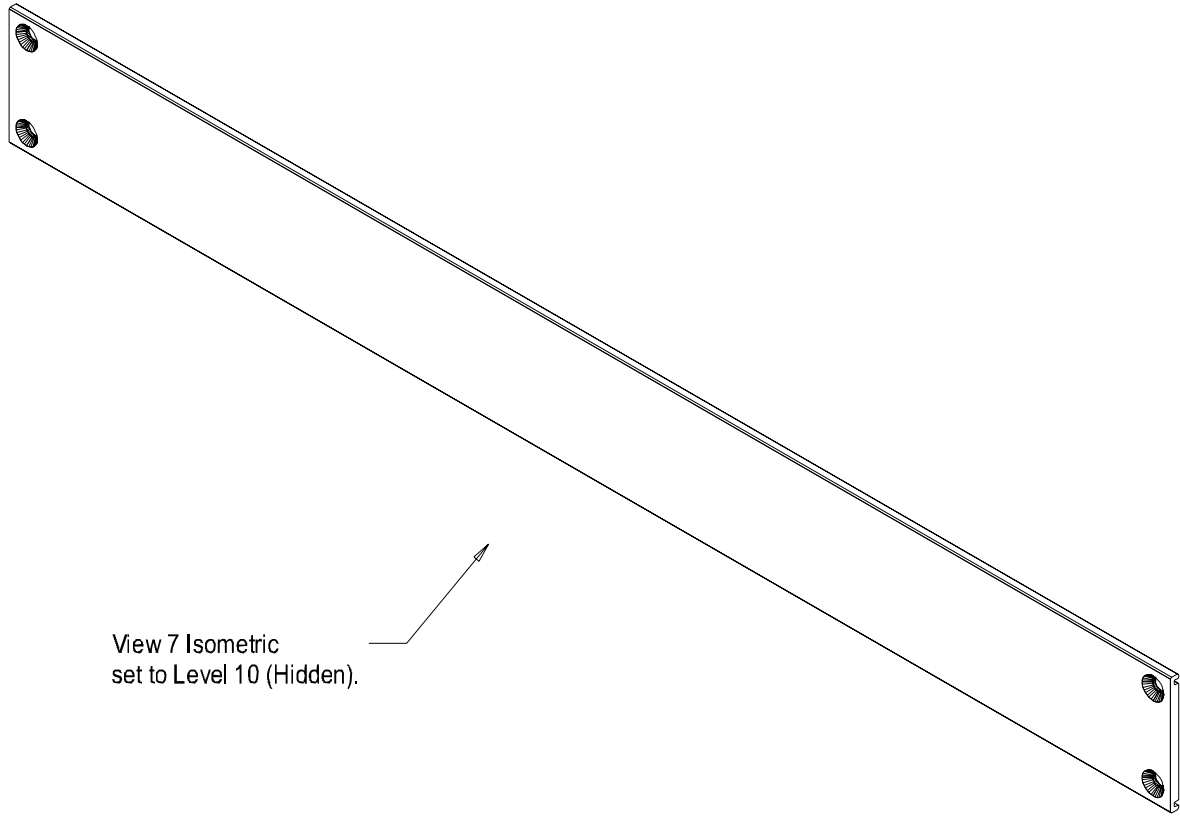
CASA Part Number = IMFP-1U-AL3...

CASA Extrusion Ref. PNL-2315



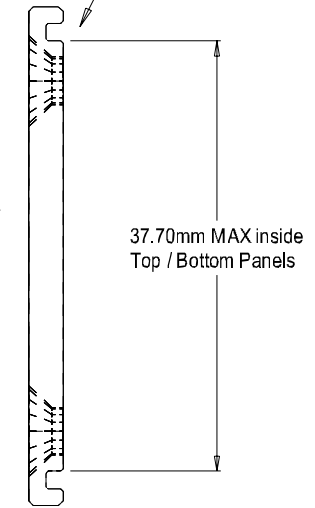
4 Holes 4.2 CSK to suit M4 screw.

2 Grooves 1.56 wide 1.5~1.7mm deep on rear of panel to captivate the top/bottom panels



View 7 Isometric set to Level 10 (Hidden).

End view 3 x Full Size



MATERIAL	Aluminum Extrusion
ALLOY	6063-T6
EST. AREA	xxx mm
EST. WEIGHT	0.38 kg/m
EST. PERIPHERY	EXT: 103 mm
	TOT: xxx mm
TOLERANCE	0.00mm ±0.1mm 00.0mm ±0.25mm 0000mm ±0.5mm 0-600mm ±0.1mm > 600mm ±0.5mm
	BS1474:1987 APPLIES UNLESS OTHERWISE SPECIFIED
JOB No.	2512

CASA Modular Systems P.O. BOX 38-828, WELLINGTON, NEW ZEALAND TELEPHONE : (64-4) 5687 277 FACSIMILE : (64-4) 5685 161	CUSTOMER : CASA Modular Systems		SIZE	DRAWING Reference No.	ISSUE
	DESCRIPTION : Instrument MODULE 1U Front Panel		A2	IMFP-1U	A
	DRAWN : AWD	DATE : 28/03/98	APPROVED : ?	DWG. SCALE : 1:1	© COPYRIGHT : CASA Modular Systems ALL RIGHTS RESERVED