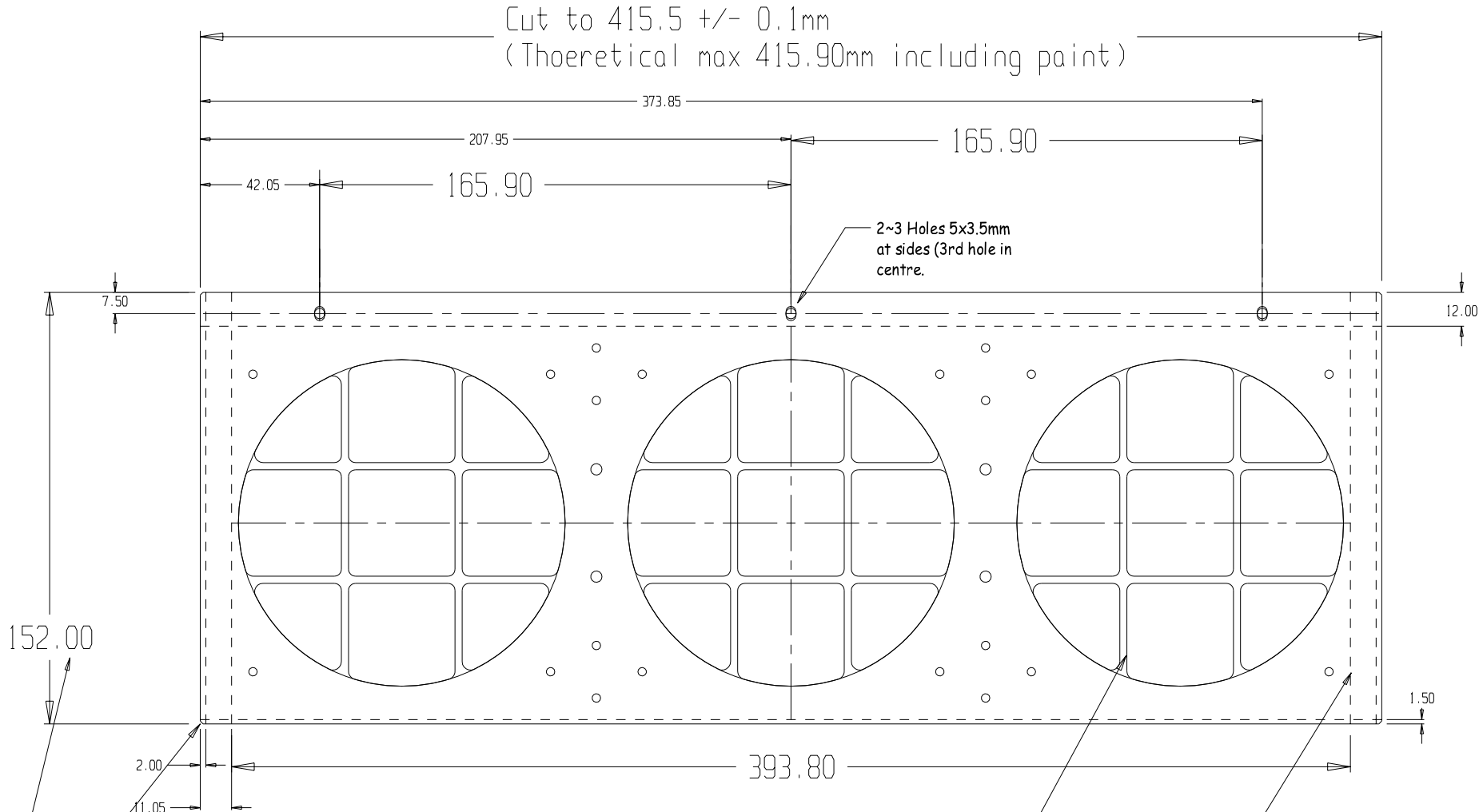


NOTE - CASA Part Numbers are as follows:-
 BLANK Part = SHT-416x202-MS12
 Deburred and Punched Panels = MTP-150-MS12N
 = Electro Plated Panel = MTP-150-MS12Zc
 With 3 FAN cut-out = MTP-150-3FAN115-MS12

NOTE - Theoretical Panel WIDTH = 415.9mm
 Practical Cutting WIDTH = 415.5 + Paint (0.2~0.3)
 = 415.7 +/- 0.1mm



Blank laser-cut file:
 TP150-3Fan115.DXF

Formula for panel depth =
 Corner Bar Length mm + 2mm

Integral Mesh-Guard may be eliminated and/or substituted with commercially available guards and filter housings according to specific needs.

Dotted detail represents overlap of CB19 extrusion and the front/rear panels.

MATERIAL	MSP / Alloy 1.2-1.63mm
ALLOY	Various
EST. AREA	xxx mm
EST. WEIGHT	xx kg/m
EST. PERIPHERY	EXT: xxx mm
TOT: xxx mm	
TOLERANCE	0.00mm ±0.1mm 00.0mm ±0.25mm 0000mm ±0.5mm 0-600mm ±0.1mm > 600mm ±0.5mm
BS1474:1987	APPLIES UNLESS OTHERWISE SPECIFIED
JOB No.	XXXX

	CUSTOMER :	CASA Modular Systems		SIZE	DRAWING Reference No.	ISSUE
	DESCRIPTION :	TOP / Bottom Panel for three 115mm Axial Fans		A3	MTP-150-3Fan	A
P. O. BOX 38-828, WELLINGTON, NEW ZEALAND TELEPHONE : (64-4) 5687 277 FACSIMILE : (64-4) 5685 161		DRAWN :	DATE :	APPROVED :	DWG. SCALE :	© COPYRIGHT : CASA Modular Systems ALL RIGHTS RESERVED
		A.W.D	13/06/08	?	1:1	