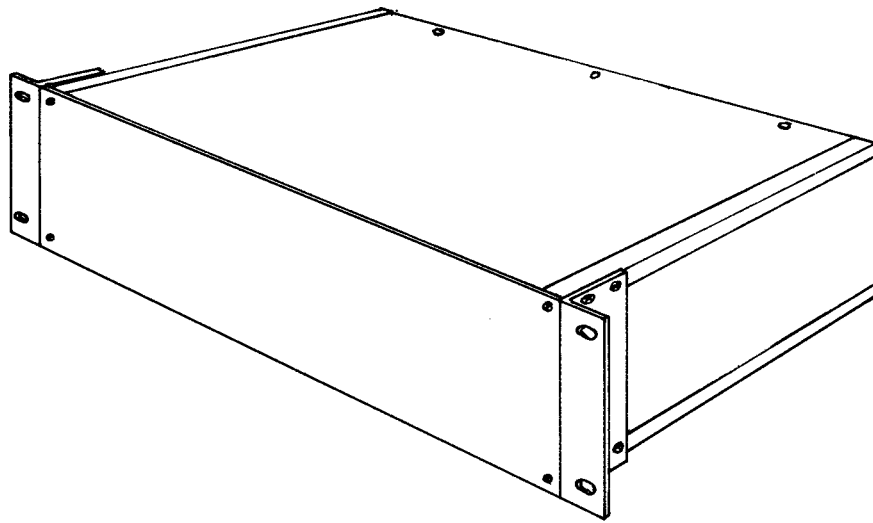


## RACK MODULE KIT (sub-rack)



Illustrated Model = RMK-2Ux250-MS12NA

### INTRODUCTION :-

The **CASA Rack Module** was designed in 1971 to meet a need, by the Professional Electronics Industry, for a flexible case system for building equipments which would give a **PROFESSIONAL** appearance and yet provide for customizing with a minimum of special tools or machinery. The original design, based upon CASA's philosophy of Compatibility + Adaptability + Simplicity + Adaptability, has been satisfying this requirement for both local and export electronics and continues to provide the **GREATEST RANGE OF SIZES & OPTIONS** available in New Zealand Manufacture.

### FEATURES:-

- 1) Standard UNIT heights (44.45mm 1.75") from **1-6 units** and depths (in increment of 50mm) from 50mm to 500mm.
- 3) **Simple** design permits standard & SPECIAL, finishes and variants to be produced economically even in small quantities with features including custom punchings for a wide range of electronic and electrical components.
- 4) Extensive range of internal **Accessories** and **Options** provide additional fixing for sub-systems and extra strength for heavy systems etc.
- 5) Over **200 STANDARD** components in **STOCK** accommodate most requirements. Special adaptations and custom sizes meet other needs.
- 6) By **Custom** design & processing CASA can provide a **TOTAL MECHANICAL & HARDWARE SOLUTION** in KIT form ready for installing all the circuit components required. Please enquire giving details of desired features and facilities, quantities etc.
- 7) **HALF Width** and Instrument Height Modules are also available and both are adaptable to **FREE STANDING** or 19" Rack configurations.

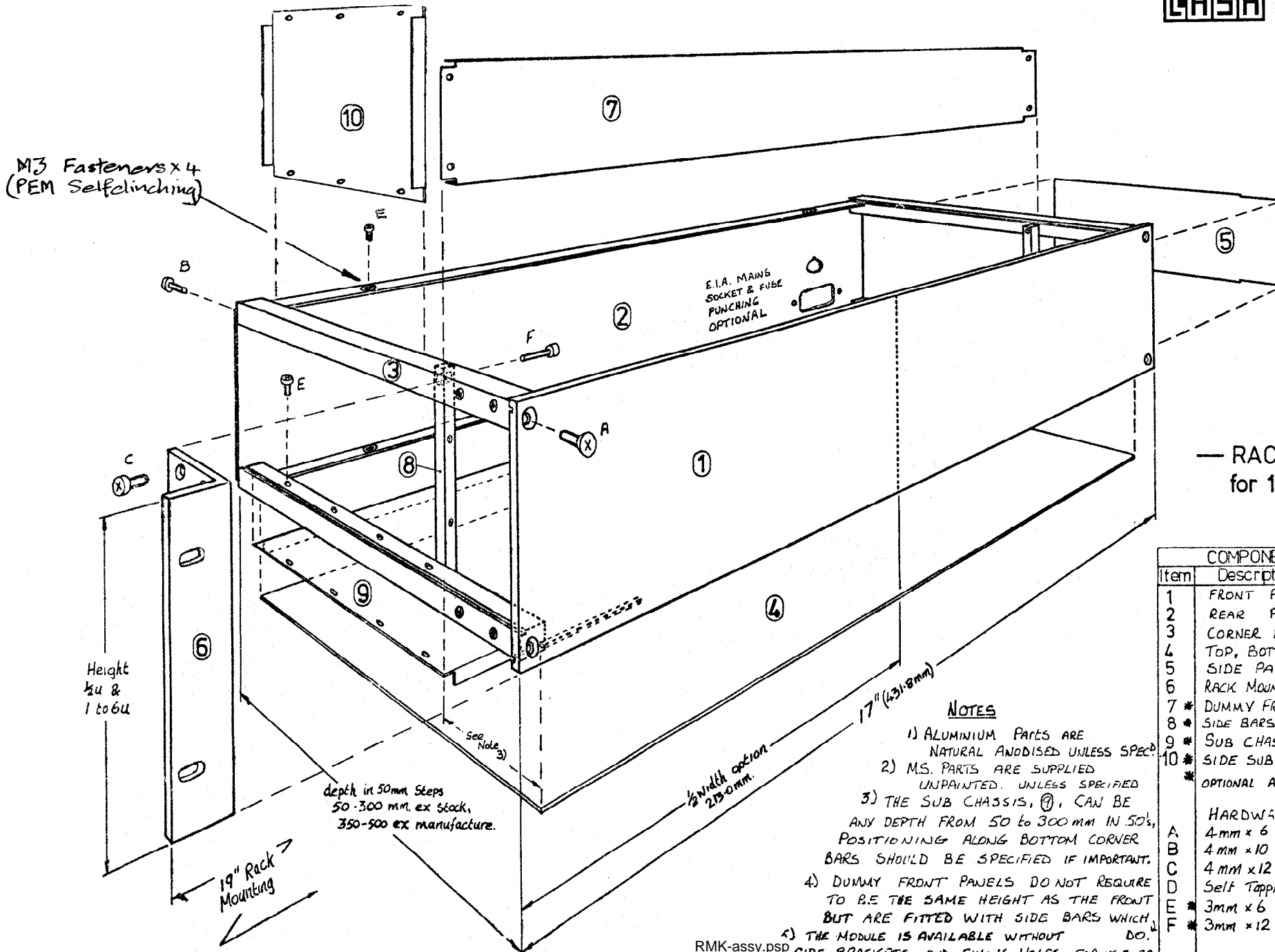
### Basic Specification Details: -

<p>→ <b>Standard Heights:-</b></p> <p><i>NOTE:- Available internal height = xUmm-12mm (measured inside the top and bottom covers)</i></p>	<b>1 Unit (43.7mm)</b>
	<b>2 Units (88.1mm)</b>
	<b>3 Units (132.5mm)</b>
	<b>4 Units (177.0mm)</b>
	<b>5 Units (221.5mm)</b>
	<b>6 Units (265.9mm)</b>
<p>→ <b>Standard Lengths/Depths:-</b> (350, 400, 450, 500mm to order)</p> <p><i>NOTE:- Length = Available internal depth (measured inside the front and rear panels)</i></p>	<b>50 mm</b>
	<b>100 mm</b>
	<b>150 mm</b>
	<b>200 mm</b>
	<b>250 mm &amp; 300mm</b>
<p>→ <b>Finish:-</b> (custom painting &amp; screen printing to order)</p>	<b>Anodize, Paint, Electroplate</b>
<p>→ <b>Materials:-</b> (all aluminum is also available)</p>	<b>Mild Steel &amp; Aluminum</b>

### Intelligent Part Number: - RMK-xxUxDmm-mat-F(special adder/suffix)

Please compose a Part Number according to this system and use on your official order.

<b>RMK-</b>	Prefix to indicate "RACK mounting MODULE KIT".
<b>xxU-</b>	HEIGHT in RACK Units (multiples of 44.45 millimeters).
<b>Dmm-</b>	Depth behind mounting face to inside of rear panel in "mm"
<b>mat-</b>	MS12 = Mild steel 1.2mm thick (top/bot+sides+rear only) AL12 = Aluminum 1.2mm etc.
<b>F-</b>	FINISH applied (N=Natural, AN=Anodized Natural, P=Paint, ZC=Zinc Plate)
<b>(-----)</b>	Special adder or suffix gives Custom information or Drawing No. etc.



— RACK MODULE  
for 19" mounting —

COMPONENT LIST			
Item	Description	Qty	Matl.
1	FRONT PANEL	1	3mm ALUM.
2	REAR PANEL	1	1.2 MS OR 1.6 AL
3	CORNER BARS	2L 2R	10mm sq AL.
4	TOP, BOTTOM PNL	2	1.2 MS OR 1.6 AL
5	SIDE PANELS	2	1.2 MS OR 1.6 AL
6	RACK MOUNTING BRKTS	2	3.0 AL ANGLE
7*	DUMMY FRONT PNL.	1	1.2 MS
8*	SIDE BARS FOR 7	PE.	8mm sq AL.
9*	SUB CHASSIS	1	1.2 MS
10*	SIDE SUB PANEL	1	1.2 MS
* OPTIONAL ACCESSORIES			
HARDWARE			
A	4mm x 6 C'SK	4	
B	4mm x 10 PAN HD.	4	
C	4mm x 12 " "	8	
D	Self Tapping 6AB x 1/4	4	
E	3mm x 6 PAN HD.		also for 7-8 & 10-8
F	3mm x 12 " "		8-3

**NOTES**

- 1) ALUMINIUM PARTS ARE NATURAL ANODISED UNLESS SPEC'D.
- 2) MS. PARTS ARE SUPPLIED UNPAINTED. UNLESS SPECIFIED.
- 3) THE SUB CHASSIS, (8), CAN BE ANY DEPTH FROM 50 TO 300mm IN 50's, POSITIONING ALONG BOTTOM CORNER BARS SHOULD BE SPECIFIED IF IMPORTANT.
- 4) DUMMY FRONT PANELS DO NOT REQUIRE TO BE THE SAME HEIGHT AS THE FRONT BUT ARE FITTED WITH SIDE BARS WHICH DO.
- 5) THE MODULE IS AVAILABLE WITHOUT SIDE BRACKETS AND FIXING HOLES, FOR USE AS TABLE TOP MODEL.

RMK-assy.psp

M. Pender 3.2.85