

CASA Part Number:

CON-10Ux609-MDF18.....

Typical 10U ADD-ON Rack Box - 650mm mini-console style

Notes:

1 - Base of box is the same as TOP of 650mm console and may be integrated subject to retrofitting 2 additional cleats on the upper surface of the panel (fixing and finishing will require factory processing).

2 - Top of box may be the same part as TOP of 750mm console OR a 650mm deep Cabinet Rack.

3 - RA393 angles may be fitted front and/or rear using the pre-drilled fixing holes (open out to suit the fasteners used)

4 - Consol Boxes may be supplied as a FREE-STANDING mini-rack console.

5 - Consol Boxes may be fastened to walls using CASA's Wall Fixing Cleats.

Top/Bottom Panel Assembly
609mm x 524mm MDF18
#TPA-609x524-MDF18.....

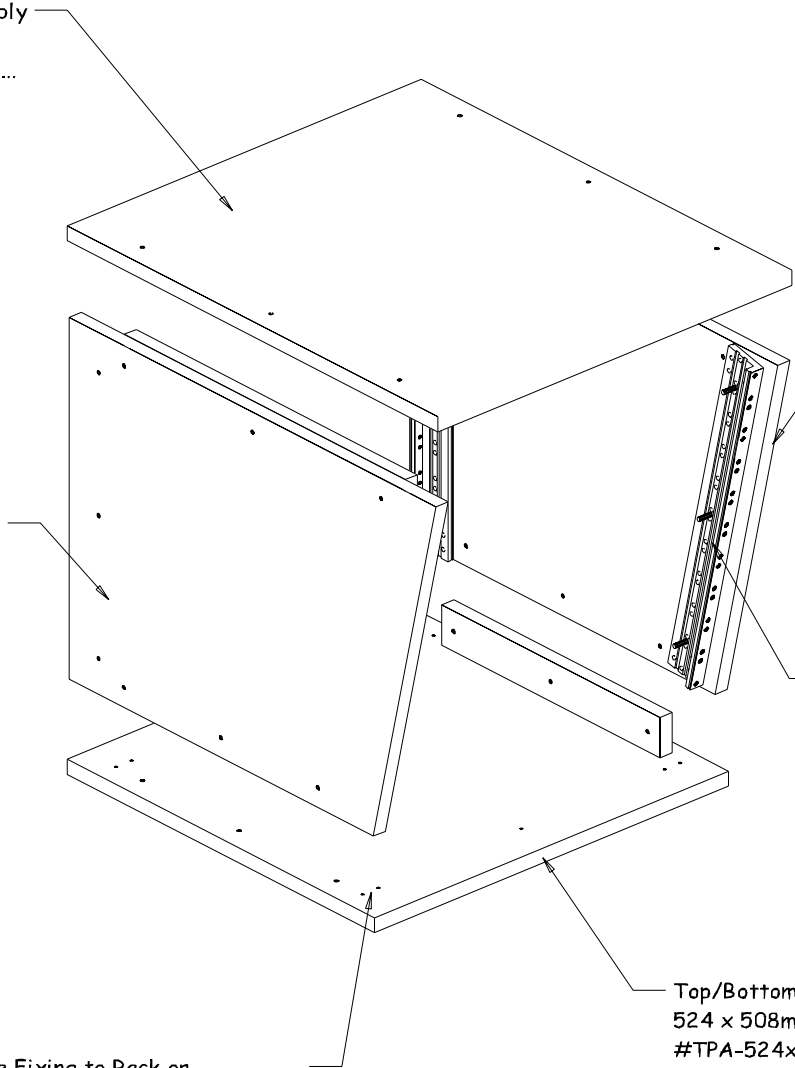
Side Panel
10U x 605mm
#CSP-10Ux605-MDF18....

Side Panels part #
CSP-10Ux605-MDF18...

10U Rack Angle - RA393
#RA393-10U-AL8A-3SH...

Top/Bottom Panel Assembly
524 x 508mm MDF18
#TPA-524x508-MDF18.....

Appropriate Fixing to Rack or
Consol or desk may be done using
TwinFast #8 x 1-1/4" (32mm) screws
or M5x32mm Socket screws and "T-nuts"
through the 4~6 pilot holes (3mm dia)
along the front and back edges.



CASA Modular Systems Ltd
Wellington, New Zealand.

Copyright - 2003

TYPICAL Mini-Console

Drawing = Cons-Box.Prt
View 11
Levels 100+121 or 122 (dotted)
Nominal Scale = 1:0.120 (A4 print)