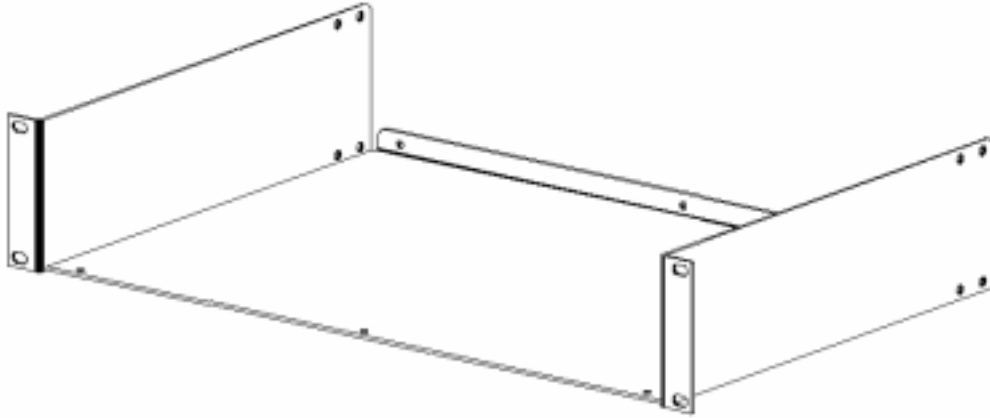


SHELVES for 19" RACKS



Graphix File Name: D:\HIJAAK 95\BMP\RS2UFISO.BMP

This SHELF has been designed to provide 19" Rack mounting/fixing for FREE STANDING equipments such that many non-standard products can be installed in Standard 19" Equipment Racks. Typical equipment include Audio, Video, Industrial, Telecommunications, Data Systems, Modems, Batteries and other Electronic Apparatus not exceeding 437mm (17.2") wide.

Features Include:

- 1) **Standard UNIT heights (44.45mm 1.75") from 2-4 units @ 200, 300 or 400mm deep** (other sizes 350, 450 etc. to order)
 - 2) Folds at rear and/or front can be applied as "**Fold-Up**" (and down with some limitations) giving added strength to shelves.
 - 3) **Simple Basic** design permits standard & SPECIAL lengths, finishes and variants to be produced economically even in small quantities with features including punchings for ventilation and retrofittable / rear fixing for larger or heavier equipment.
 - 4) **Custom** design can be undertaken for special requirements. Please enquire giving details of desired/required features, facilities, and quantities etc.(a sketch or drawing will be appreciated). Many variations can be processed from "**blanked**" stock.
- CASA's Design Philosophy:** Compatability, Adaptability, Symplicity and Acceptability achieves sound Engineering, Cost Economy and Aesthetics. NOTE - See reverse of this Data Sheet, or seperate drawings, for basic dimentional information.

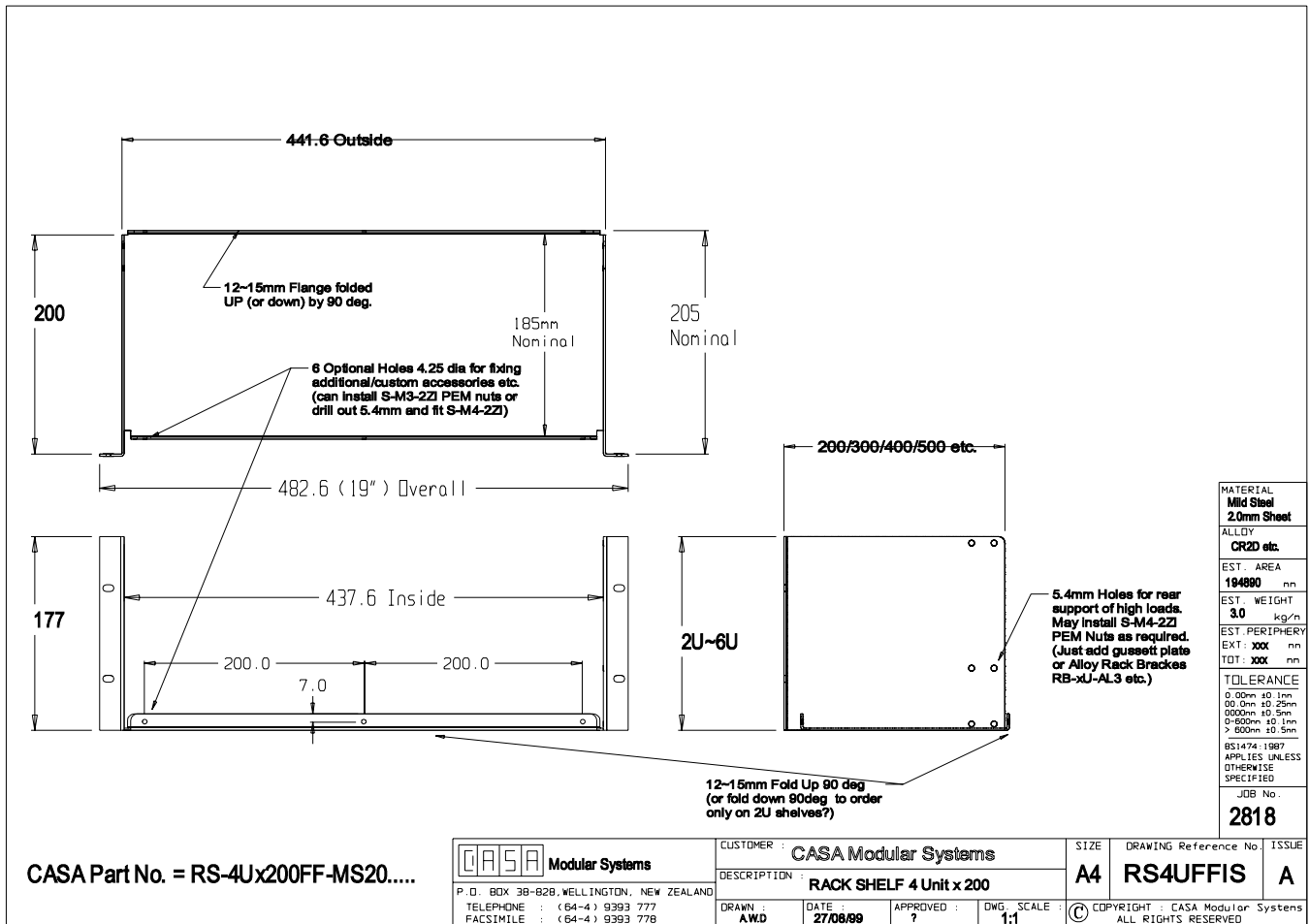
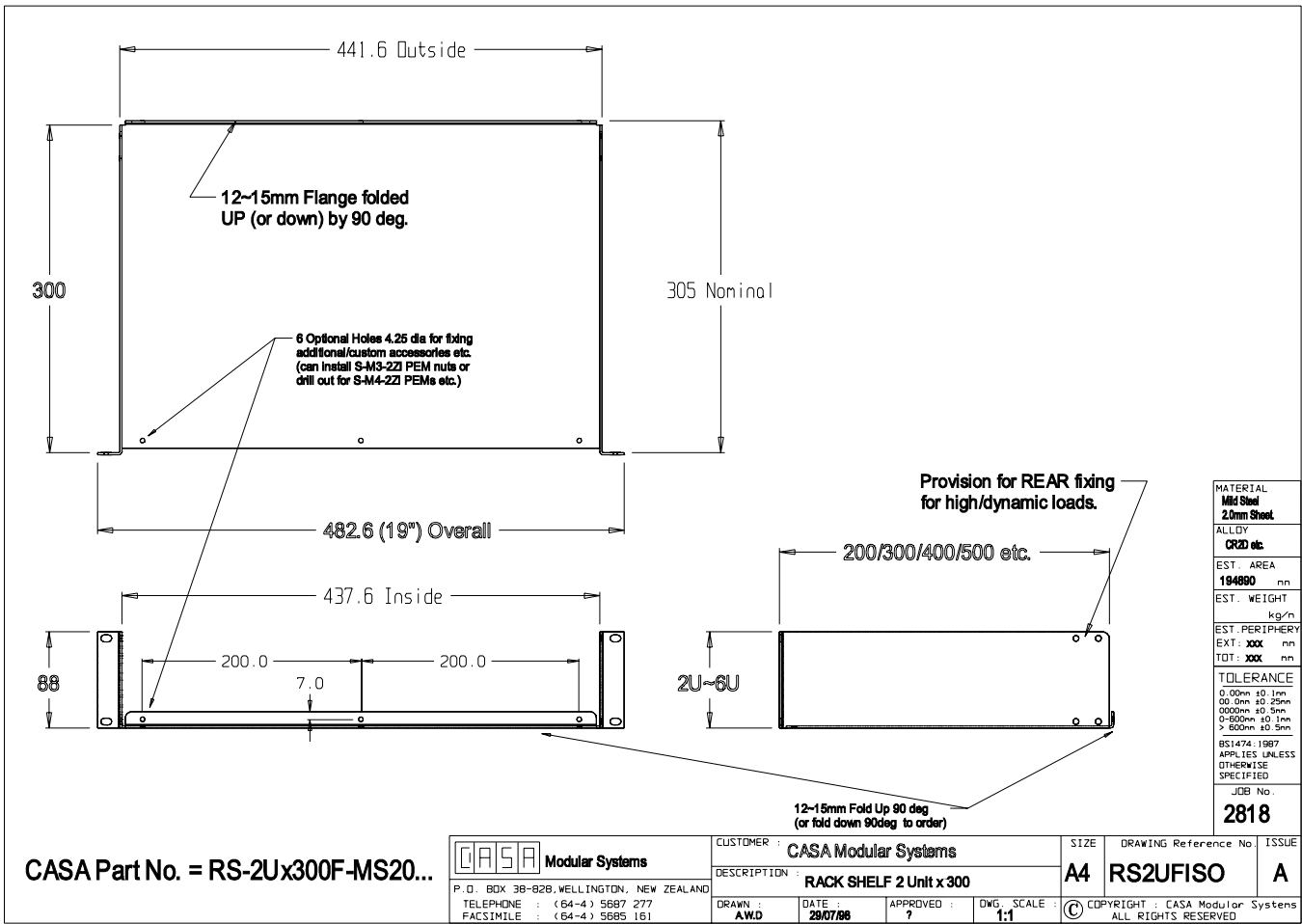
Specification Details:-

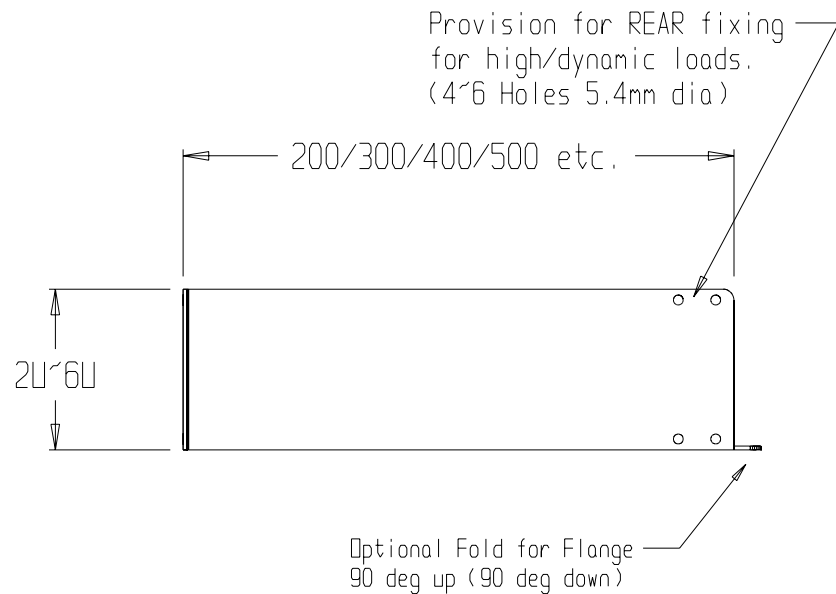
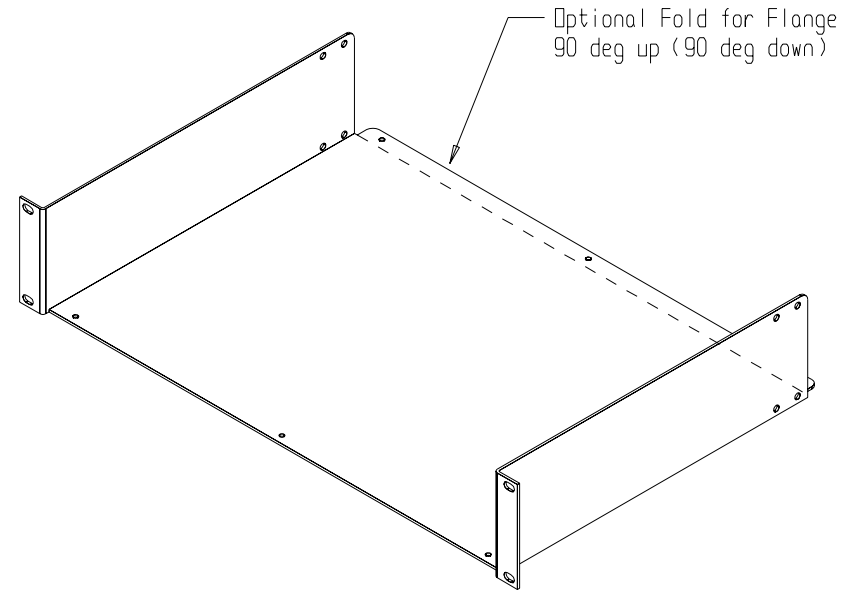
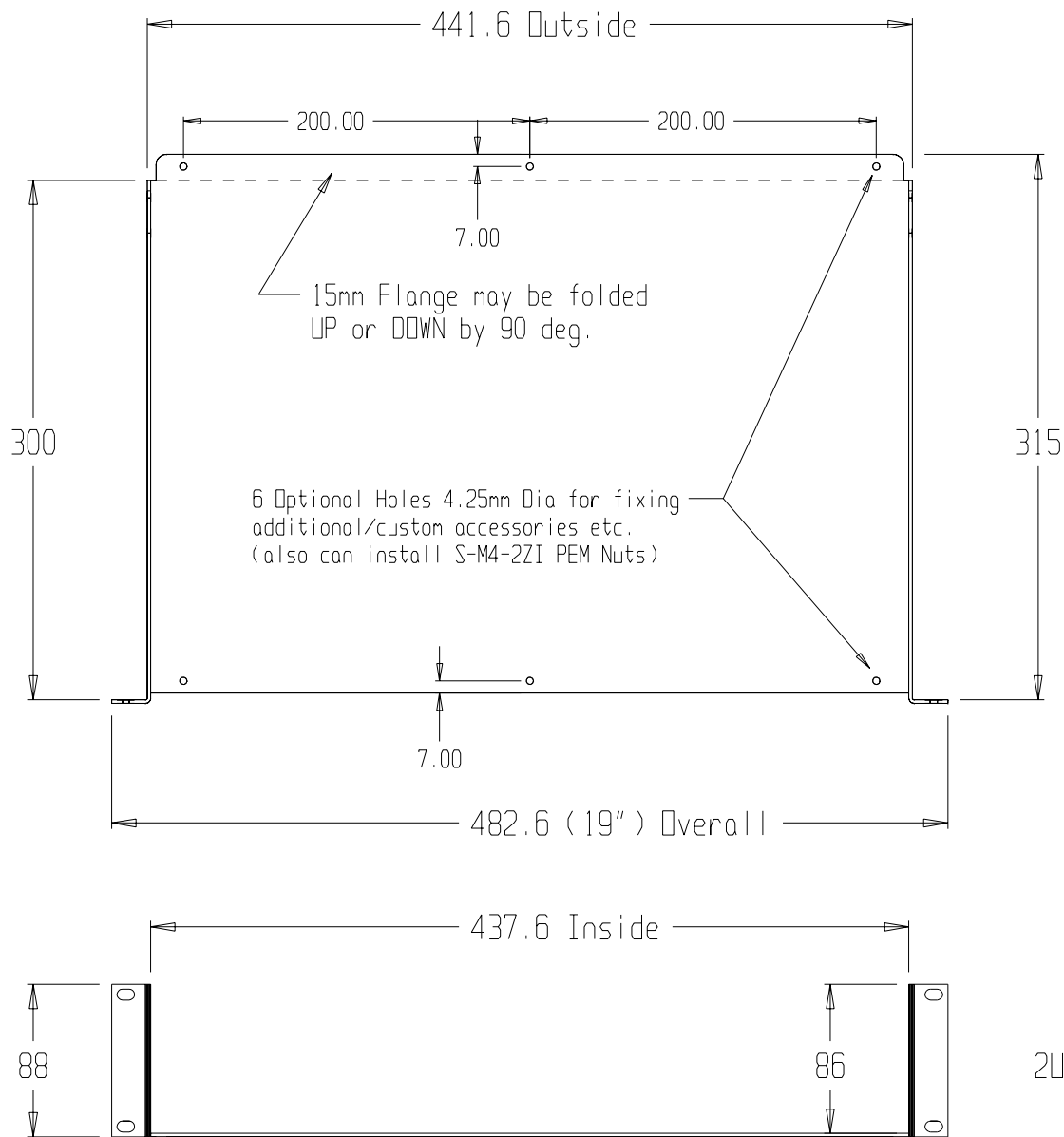
➔ Preferred / Standard Sizes:	2 Unit (88.1mm) Stock 3 Units (132.5mm) Stock 4 Units (177mm) Stock
➔ Special Heights & Depths to order: (minimum quantity may apply) Cutting & Nominal Dimensional Tolerance:	1-10 Units (1U=44.45mm) +/- 0.25mm (to 500mm) Powder Coat, Zinc Plated or Anodized (if Aluminum)
➔ Finishes: (full deburring of all cut, drilled, punched and tapped holes & edges is standard)	2 Unit = 3Kg (approx)
➔ Weight: (typical/nominal weights for 300mm deep using 2mm Mild Steel)	3 Unit = 3.5Kg (approx) 4 Unit = 4Kg (approx) (depends upon depth etc.)
➔ Material:	Mild Steel (or Aluminum)

Part Number:- RS-xUxYYYzz-MAT-F(adder/suffix)

Please compose a Part Number according to this system and use on your official order.

- RS** - Prefix to indicate "RACK SHELF".
- xU** - HEIGHT in RACK Units (1U = 44.45mm, multiples of 44.45millimeters as above).
- YYY** - Depth behind mounting face in "mm" (200, 300, 400 others made to order)
- zz** - Fold designations (RU = Rear Fold UP, FU = Front Folded UP; RD = Rear Fold Down)
- MAT** - Material used (MS20 = Mild Steel 2mm, AL20 = Aluminum 2mm)
- F** - Finish applied to the base material (GGP = Ghost Gray Polyester powder coated)
- (XXX)** Special Suffix to indicate CUSTOM features or other variants etc





MATERIAL	Mild Steel
	2.0mm Sht.
ALLOY	Half Hard
EST. AREA	194890 mm
EST. WEIGHT	3.0 kg/m
EST. PERIPHERY	EXT: 354 mm
	TOT: 354 mm
TOLERANCE	0.00mm ±0.1mm
	00.0mm ±0.25mm
	0000mm ±0.5mm
	0-600mm ±0.1mm
	> 600mm ±0.5mm
BS1474:1987	APPLIES UNLESS OTHERWISE SPECIFIED
JOB No.	2818

CASA Part No. = RS-2Ux300-MS20...

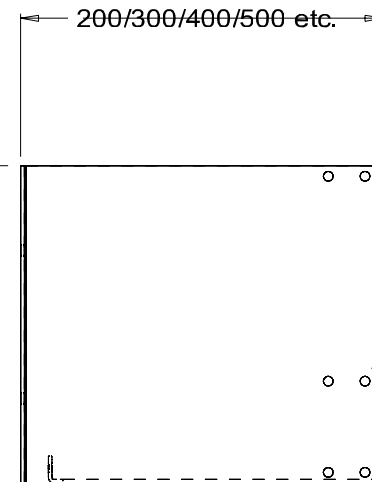
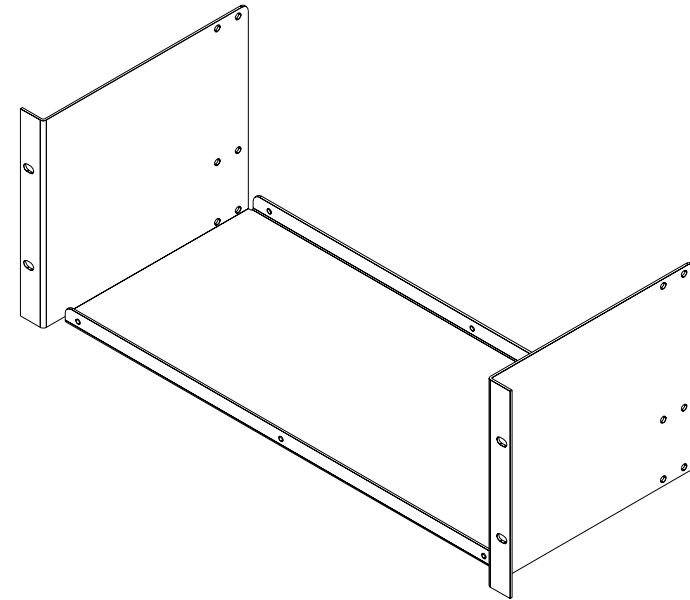
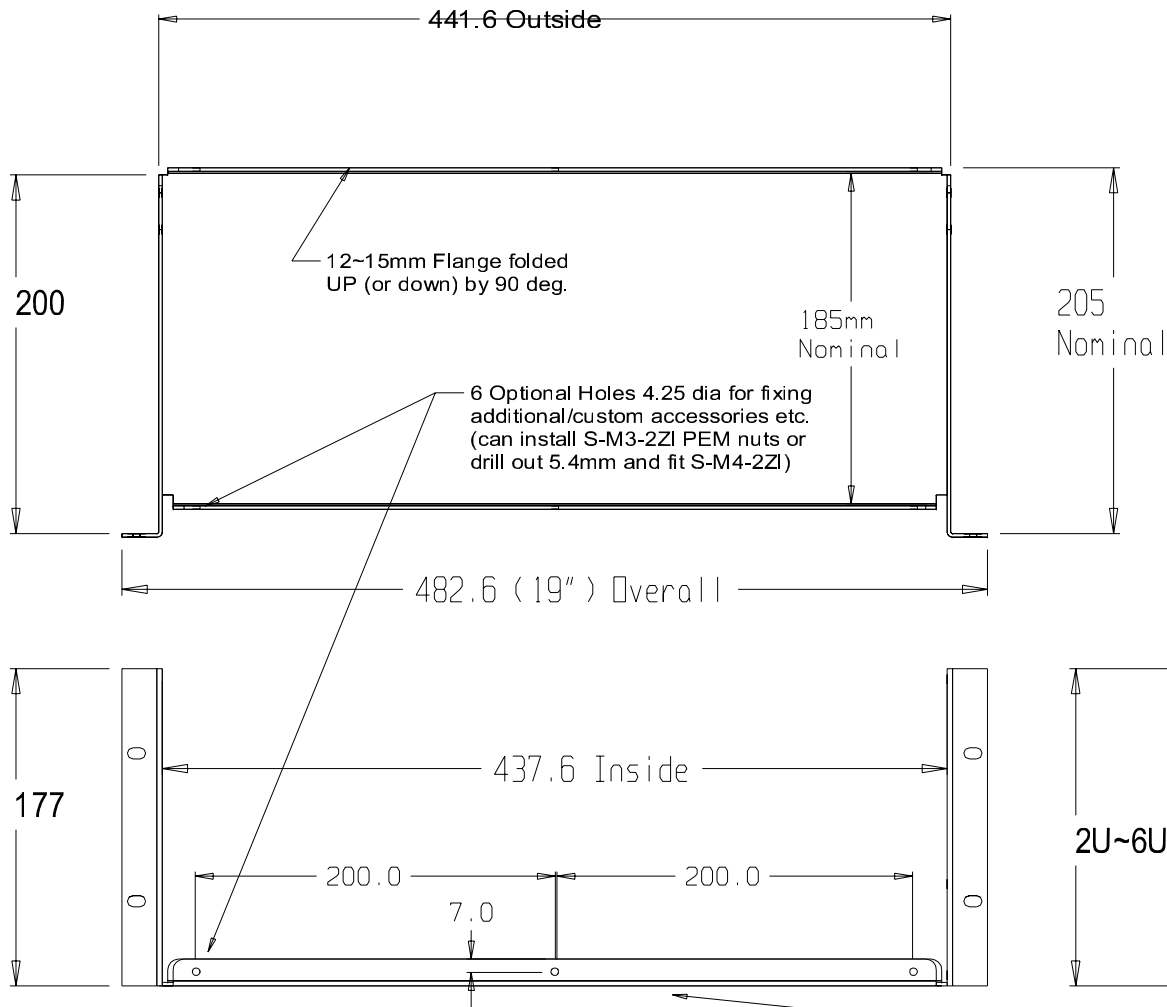
CASA Modular Systems

P.O. BOX 38-828, WELLINGTON, NEW ZEALAND

TELEPHONE : (64-4) 5687 277

FACSIMILE : (64-4) 5685 161

CUSTOMER : CASA Modular Systems		SIZE	DRAWING Reference No.	ISSUE
DESCRIPTION : Rack SHELF 2 Unit x 300mm		A4	RS-2UI50	B
DRAWN : AWD	DATE : 9/2/00	APPROVED : 29/07/98	DWG. SCALE : 1:1	
COPYRIGHT : CASA Modular Systems ALL RIGHTS RESERVED				



5.4mm Holes for rear support of high loads. May install S-M4-2ZI PEM Nuts as required. (Just add gussett plate or Alloy Rack Brackets RB-xU-AL3 etc.)

12~15mm Fold Up 90 deg (or fold down 90deg to order only on 2U shelves?)

MATERIAL	Mild Steel
	2.0mm Sheet
ALLOY	CR2D etc.
EST. AREA	194890 mm
EST. WEIGHT	3.0 kg/m
EST. PERIPHERY	EXT: xxx mm
	TOT: xxx mm
TOLERANCE	0.00mm ±0.1mm
	00.0mm ±0.25mm
	0000mm ±0.5mm
	0-600mm ±0.1mm
	> 600mm ±0.5mm
BS1474:1987	APPLIES UNLESS OTHERWISE SPECIFIED
JOB No.	2818

CASA Part No. = RS-4Ux200FF-MS20.....

CASA Modular Systems

P.O. BOX 38-828, WELLINGTON, NEW ZEALAND

TELEPHONE : (64-4) 9393 777

FACSIMILE : (64-4) 9393 778

CUSTOMER : **CASA Modular Systems**

DESCRIPTION : **RACK SHELF 4 Unit x 200**

DRAWN : **AWD**

DATE : **27/08/99**

APPROVED : **?**

DWG. SCALE : **1:1**

SIZE	DRAWING Reference No.	ISSUE
A4	RS4UFFIS	A
© COPYRIGHT : CASA Modular Systems ALL RIGHTS RESERVED		