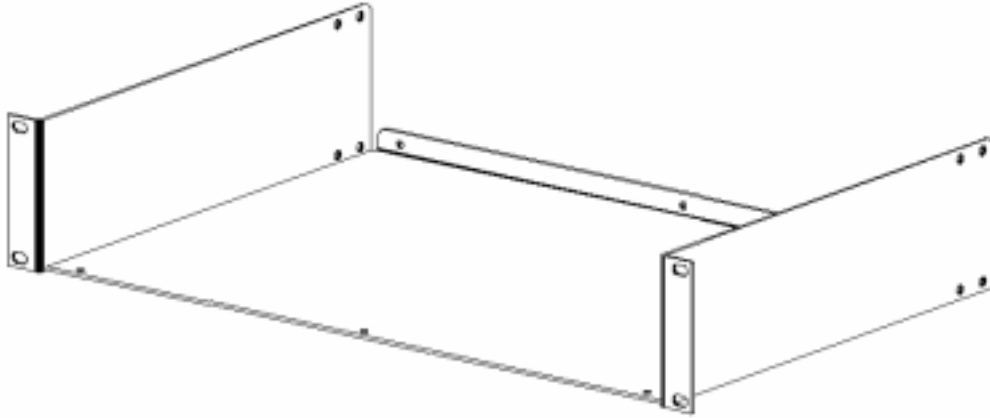


SHELVES for 19" RACKS



Graphix File Name: D:\HIJAAK 95\BMP\RS2UFISO.BMP

This SHELF has been designed to provide 19" Rack mounting/fixing for FREE STANDING equipments such that many non-standard products can be installed in Standard 19" Equipment Racks. Typical equipment include Audio, Video, Industrial, Telecommunications, Data Systems, Modems, Batteries and other Electronic Apparatus not exceeding 437mm (17.2") wide.

Features Include:

- 1) **Standard UNIT heights (44.45mm 1.75") from 2-4 units @ 200, 300 or 400mm deep** (other sizes 350, 450 etc. to order)
 - 2) Folds at rear and/or front can be applied as "**Fold-Up**" (and down with some limitations) giving added strength to shelves.
 - 3) **Simple Basic** design permits standard & SPECIAL lengths, finishes and variants to be produced economically even in small quantities with features including punchings for ventilation and retrofittable / rear fixing for larger or heavier equipment.
 - 4) **Custom** design can be undertaken for special requirements. Please enquire giving details of desired/required features, facilities, and quantities etc.(a sketch or drawing will be appreciated). Many variations can be processed from "**blanked**" stock.
- CASA's Design Philosophy:** Compatability, Adaptability, Symplicity and Acceptability achieves sound Engineering, Cost Economy and Aesthetics. NOTE - See reverse of this Data Sheet, or seperate drawings, for basic dimentional information.

Specification Details:-

➔ Preferred / Standard Sizes:	2 Unit (88.1mm) Stock 3 Units (132.5mm) Stock 4 Units (177mm) Stock
➔ Special Heights & Depths to order: (minimum quantity may apply) Cutting & Nominal Dimensional Tolerance:	1-10 Units (1U=44.45mm) +/- 0.25mm (to 500mm) Powder Coat, Zinc Plated or Anodized (if Aluminum)
➔ Finishes: (full deburring of all cut, drilled, punched and tapped holes & edges is standard)	2 Unit = 3Kg (approx)
➔ Weight: (typical/nominal weights for 300mm deep using 2mm Mild Steel)	3 Unit = 3.5Kg (approx) 4 Unit = 4Kg (approx) (depends upon depth etc.)
➔ Material:	Mild Steel (or Aluminum)

Part Number:- RS-xUxYYYzz-MAT-F(adder/suffix)

Please compose a Part Number according to this system and use on your official order.

- RS** - Prefix to indicate "RACK SHELF".
- xU** - HEIGHT in RACK Units (1U = 44.45mm, multiples of 44.45millimeters as above).
- YYY** - Depth behind mounting face in "mm" (200, 300, 400 others made to order)
- zz** - Fold designations (RU = Rear Fold UP, FU = Front Folded UP; RD = Rear Fold Down)
- MAT** - Material used (MS20 = Mild Steel 2mm, AL20 = Aluminum 2mm)
- F** - Finish applied to the base material (GGP = Ghost Gray Polyester powder coated)
- (XXX)** - Special Suffix to indicate CUSTOM features or other variants etc

