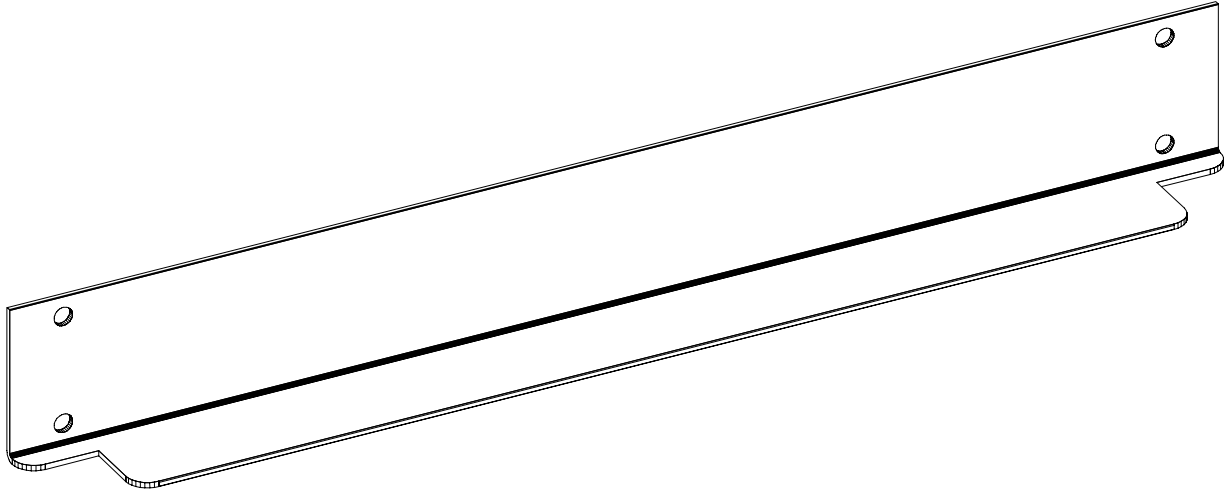


Shelf Bracket - for 19" racks RA393



Full Size illustration is Model = SB-15.25-MS12.... Source file = SB-MS12P.WMF)

When used in pairs, this propriety rack SHELF BRACKET enables HIGH mass equipments to be installed into CASA's 19" Equipment Racks and to provide support for removable trays and/or non-standard equipments where CASA's "Rack-Shelves" are not appropriate.

Custom machining can be undertaken by CASA to suit special requirements. "TEE- Rails" are also available in aluminium.

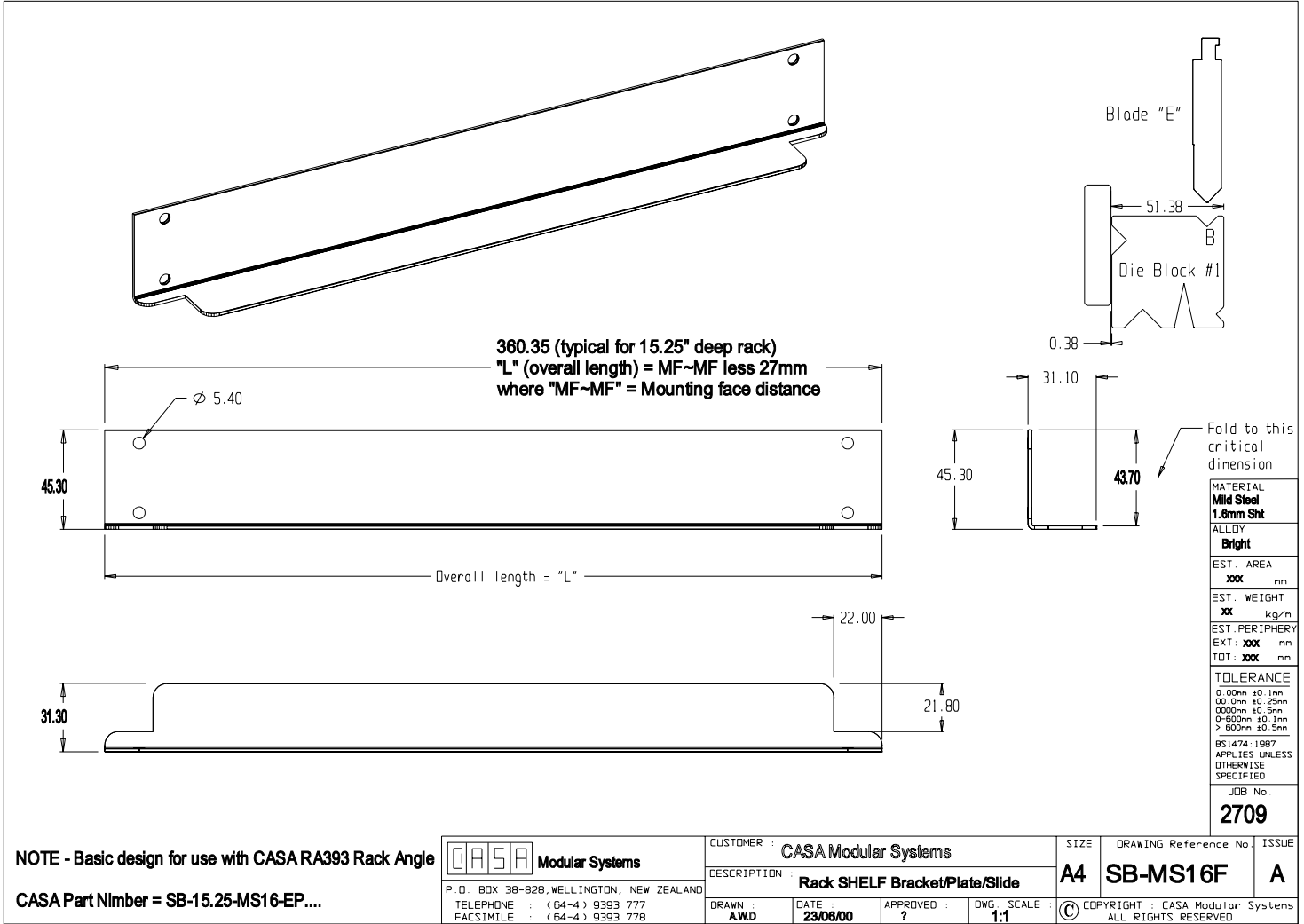
Specification Details:-

➔	Standard Lengths:	360.35mm (15.25" MF~MF) 430.20mm (18" MF~MF) 582.60mm (24" MF~MF) 733.00mm (800mm MF~MF)
	Special Lengths to order:	350mm-1000mm
	Cutting Tolerance:	+/- 0.1mm (to 500mm)
➔	Finishes: (full deburring of all holes & edges is standard)	Ghost Grey (powdercoat) Zinc Plate (Gold Passivate)
➔	Fixing Holes:	M5 clearance (Custom mountings to order)
➔	Weight:	1Kg/metre (approx for steel) 0.3Kg/metre (approx for alloy)
➔	Material: (Aluminum available to order)	1.6mm Mild Steel

Intelligent Part Number: SB-mf~mf-MS16-F(special adder/suffix)

Please compose a Part Number according to this system and use on your official order.

SB- Prefix to indicate "SIDE BRACKET" or related products or accessories.
mf-mf- The distance in "inches/mm" from front Mounting Face to rear Mounting Face of the rack
MS16- Mild Steel 1.6mm thick (Aluminum would be AL16 if light weight is required)
F- The FINISH applied to the part (EP=Epoxy, ZC=Zinc plate + gold chromate passivation
 AN = Anodized Natural, AB = Black Anodized, AD = Alodine Dip)
(-----) Special adder or suffix for brief customer reference detail.



installation
drawing to follow
asap