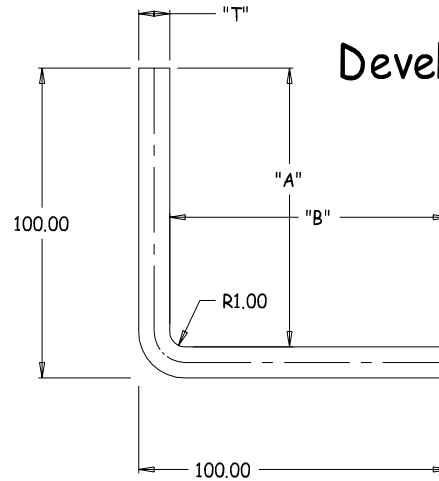


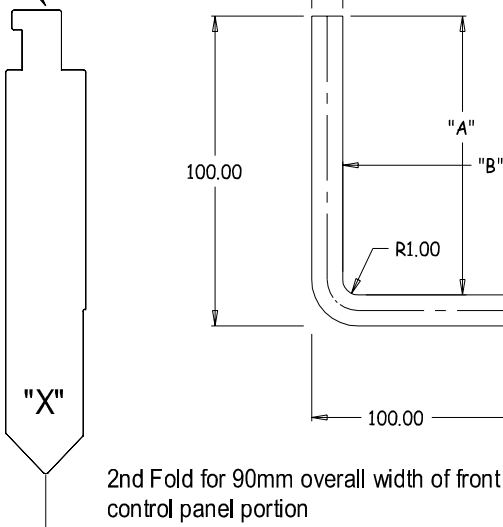
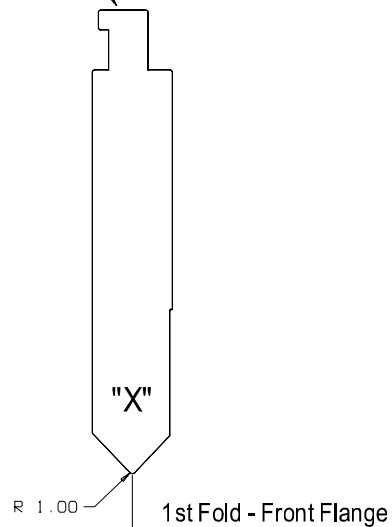
Blade "X" 430mm 1.0mm rad.

Blade "X" 430mm 1.0mm rad.

Developed length "L" = A + B +/- K

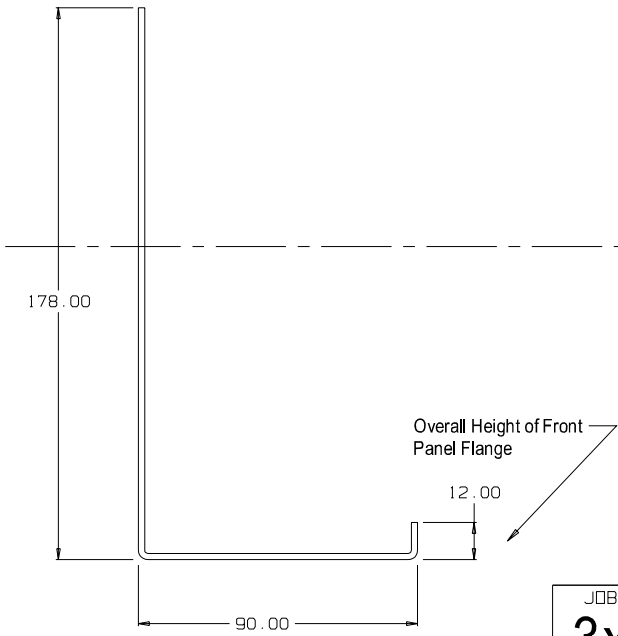
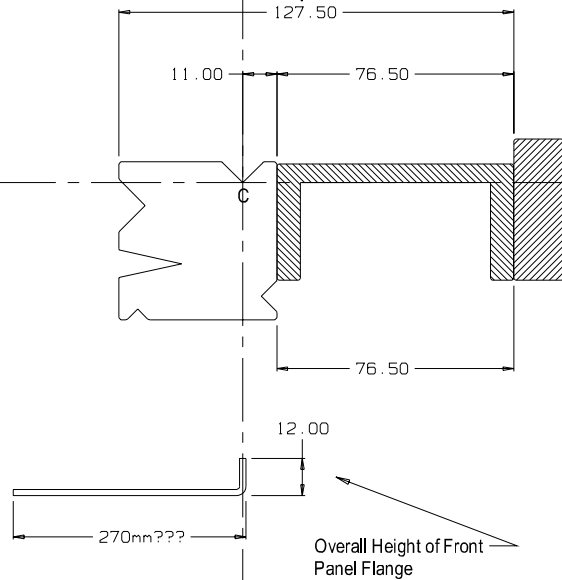
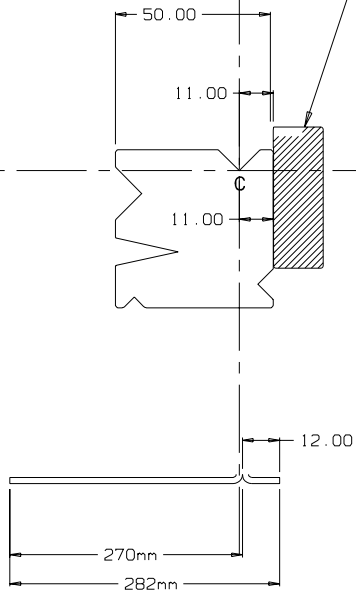


7	Fold Adder for 2.0mm Material & 1mm rad.			
6	Fold Adder for 1.6mm Material & 1mm rad.			
5	Fold Adder for 1.2mm Material & 1mm rad.			
4	Fold Adder for 1mm Material on 1mm rad.			



Front Fixing Flange Fold

2nd (front) Fold



JOB No.
3xxx

<p>P.O. BOX 38-828, WELLINGTON, NEW ZEALAND TELEPHONE : (64-4) 5687 277 FACSIMILE : (64-4) 5685 161 E-MAIL : sales@casa.co.nz</p>	CUSTOMER : Solid State Equipment Ltd		SIZE : A4	DRAWING Reference No. : SSE-FOLDS	ISSUE :	
	DESCRIPTION : Folding Instructions - Whaikura Panels		DRAWN : AWD	DATE : 20/12/07	APPROVED : ?	DWG. SCALE : 1:1