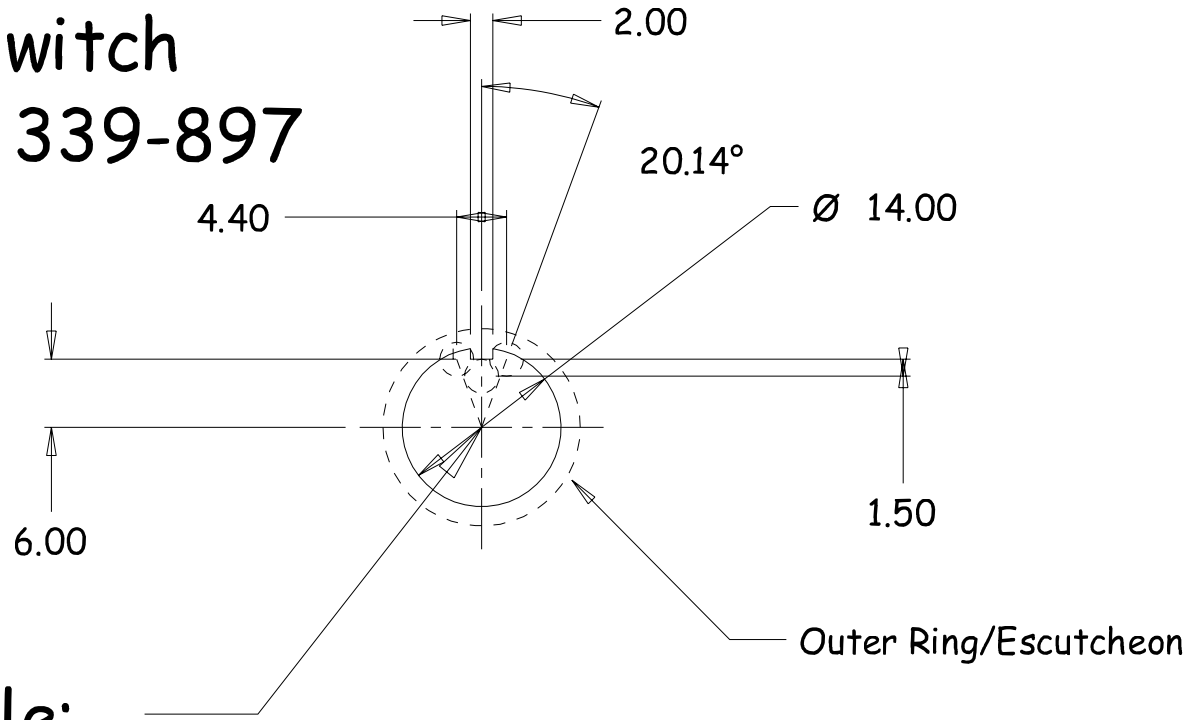


RS Switch
RS# 339-897



CNC File:
14DF.3mm