

Unsupported collet knobs $\frac{7}{8}$ in. (6.35 mm) dia. shaft

Supported collet knobs $\frac{7}{8}$ in. (6.35 mm) dia. shaft

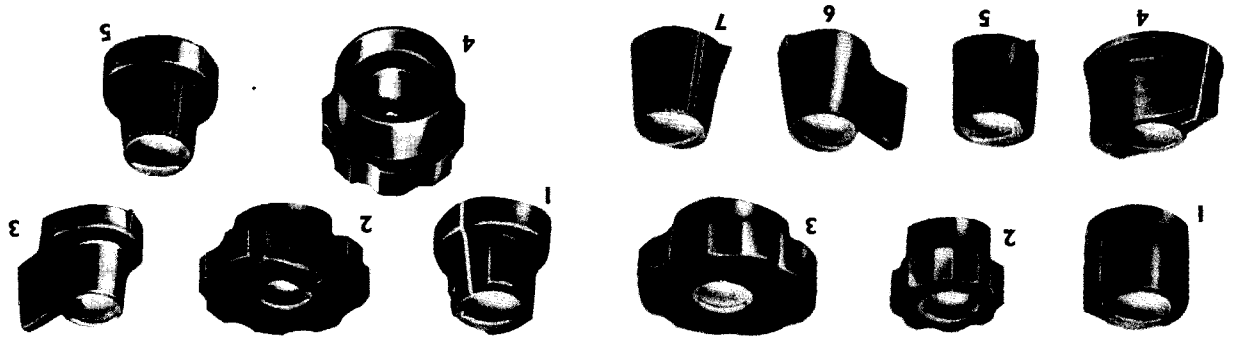
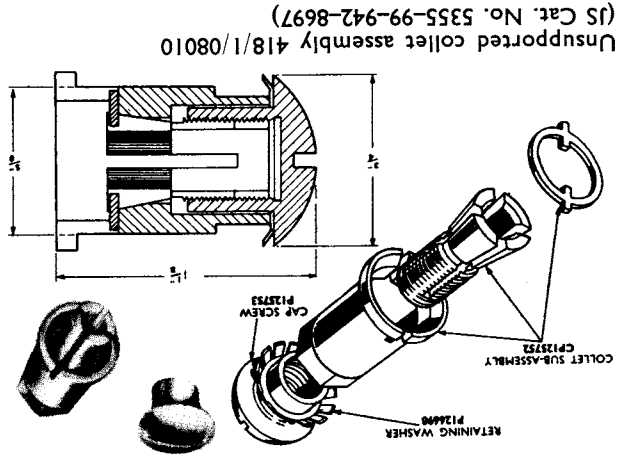
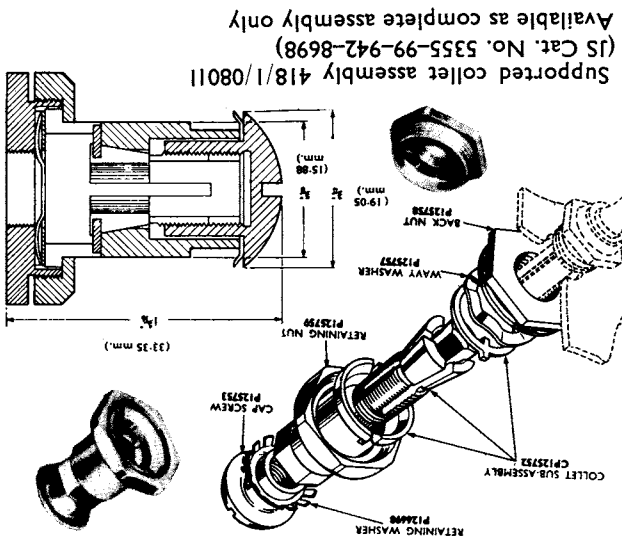


Photo No.	Description	DEF Part No.	5221	Shape similar to Fig.	DEF Part No.	5221	Photo Key No.	Description
1	Parallel, with in-dicator line, $1\frac{1}{8}$ in. (28.58 mm) dia.	418/2/09027	8683	1	418/2/09040	942-8684	56	Parallel, with in-dicator line $1\frac{1}{8}$ in. (33.35 mm) dia.
2	Fluted, $\frac{1}{8}$ in. (7.95 mm) dia.	418/2/09020	8674	2	418/2/09040	942-8684	56	Fluted, $2\frac{1}{4}$ in. (57.15 mm) dia. (with quick wind)
3	Fluted, $2\frac{1}{2}$ in. (57.15 mm) dia.	418/2/09018	8677	3	418/1/07516	943-9871	—	Conical, with beak and tail, $1\frac{1}{8}$ in. (33.35 mm) dia.
4	Parallel, with in-dicator line, $1\frac{1}{8}$ in. (34.45 mm) dia.	418/2/09026	8685	4	418/2/09037	942-8668	52	Serrated, with beak and tail, $1\frac{1}{8}$ in. (31.75 mm) (from axis)
5	Fluted, with beak, 1 in. (25.4 mm) dia. and tail, $1\frac{1}{2}$ in. (31.75 mm.) from axis	412/2/09024	8667	5	418/2/09037	942-8668	52	Fluted, with beak (max. dia. $1\frac{1}{8}$ in. (33.35 mm.))
6	Conical, with beak and tail, 1 in. (25.4 mm) dia, tail $1\frac{1}{2}$ in. (31.75 mm.) from axis	412/2/09024	8667	6	418/2/09032	942-8675	45	Serrated, with beak (max. dia. $1\frac{1}{8}$ in. (33.35 mm.))
7	Serrated, with beak 1 in. (25.4 mm.) dia.	418/2/09022	8690	7	418/2/09035	942-8692	50	Supported collet assembly
—	Unsupported collet assembly	418/1/08010	8697	—	418/1/08011	942-8698	43	Supported collet assembly



Unsupported collet assembly 418/1/08010 (JS Cat. No. 5355-99-942-8697)



Supported collet assembly 418/1/08011 (JS Cat. No. 5355-99-942-8698) Available as complete assembly only