

Unsupported collet knobs $\frac{7}{8}$ in. (6.35 mm.) dia. shaft

Supported collet knobs $\frac{7}{8}$ in. (6.35 mm.) dia. shaft

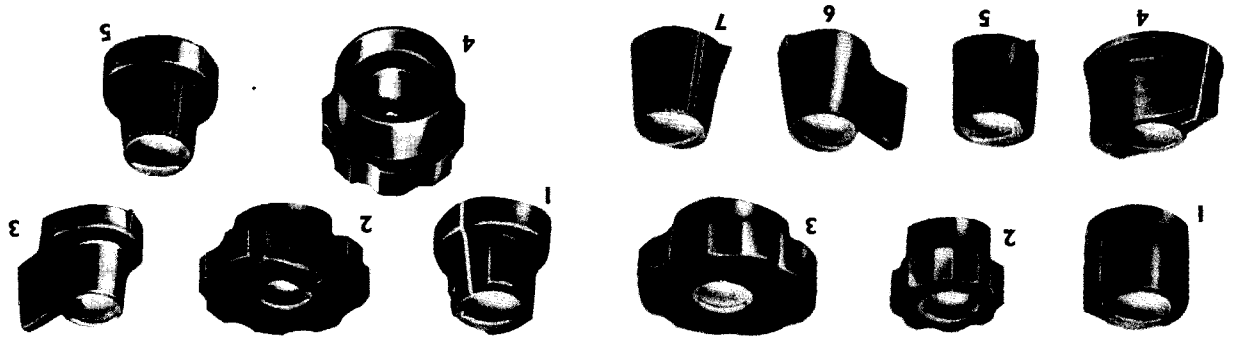
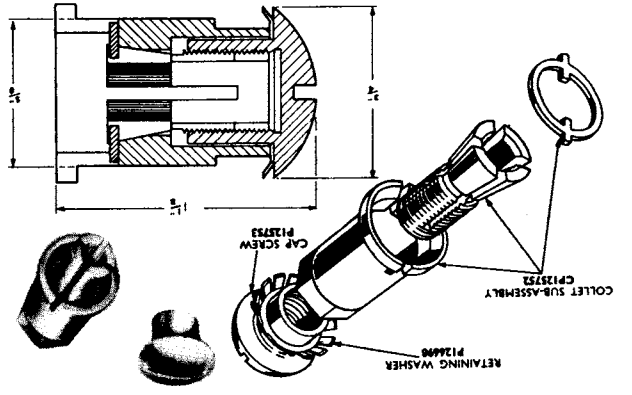


Photo No.	Description	DEF Part No.	5221	Shape similar to Fig.	No. DEF Part No.	5221	Photo Key Description
1	Parallel, with in-dicator line, $1\frac{1}{8}$ in. (28.58 mm.) dia.	418/2/09027	8683	1	Parallel, with in-dicator line, $1\frac{1}{8}$ in. (31.75 mm.) dia.	418/2/09037	52
2	Fluted, $\frac{1}{5}$ in. (7.95 mm.) dia.	418/2/09020	8674	2	Fluted, $2\frac{1}{4}$ in. (57.15 mm.) dia. (with quick wind)	418/1/07516	—
3	Fluted, $2\frac{1}{2}$ in. (57.15 mm.) dia.	418/2/09018	8677	3	Conical, with beak and tail, $1\frac{1}{8}$ in. (33.35 mm.) dia.	418/2/09032	45
4	Parallel, with in-dicator line, $1\frac{1}{2}$ in. (34.45 mm.) dia.	418/2/09026	8685	4	Fluted, $1\frac{1}{2}$ in. (41.28 mm.) (from axis)	418/2/09032	45
5	Fluted, with beak, 1 in. (25.4 mm.) dia. and tail, 1 in. (25.4 mm.) dia., tail $1\frac{1}{2}$ in. (31.75 mm.) from axis	418/2/09029	8678	5	Serrated, with beak 1 in. (25.4 mm.) dia. (max. dia. $1\frac{1}{5}$ in. (33.35 mm.))	418/2/09035	50
6	Conical, with beak and tail, 1 in. (25.4 mm.) dia., tail $1\frac{1}{2}$ in. (31.75 mm.) from axis	418/2/09024	8667	—	Supported collet assembly	418/1/08011	43
7	Serrated, with beak 1 in. (25.4 mm.) dia.	418/2/09022	8690	—	Supported collet assembly	418/1/08011	43
—	Unsupported collet assembly	418/1/08010	8697	—	Supported collet assembly	418/1/08011	43

Unsupported collet assembly 418/1/08010 (JS Cat. No. 5355-99-942-8697)



Supported collet assembly 418/1/08011 (JS Cat. No. 5355-99-942-8698)

