



Aluminum electrolytic capacitors

Capacitors with screw terminals

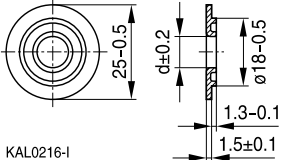
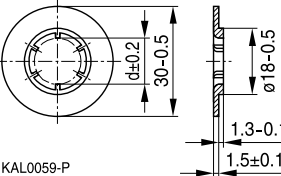
Series/Type: B44020, B44030

Date: September 2006

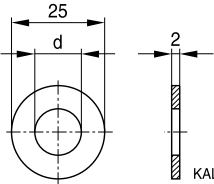
Accessories for capacitors with mounting stud on capacitor base

Capacitor diameter	Thread size	Dimensional drawing	Diameter d mm	Ordering code
--------------------	-------------	---------------------	---------------	---------------

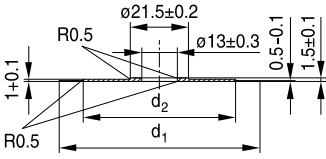
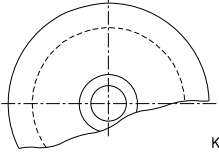
Insulating plastic shoulder washer "P" similar to DIN 41331 specifications

≤ 40 mm	M8	 <p>KAL0216-1</p>	8.4	B44020B0001B025
> 40 mm	M12	 <p>KAL0059-P</p>	12.5	B44020B0002B030

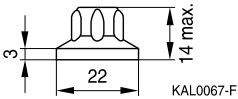
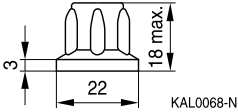
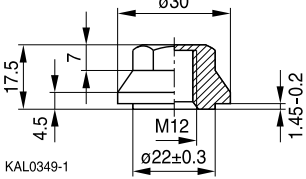
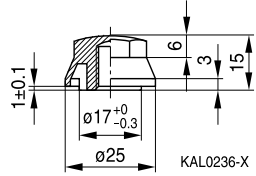
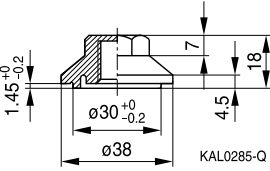
Insulating washer "N" made of laminated paper

≤ 40 mm	M8	 <p>KAL0066-7</p>	8.4	B44020A0001B025
> 40 mm	M12		13	B44020A0002B025

Insulating washer made of Hostalen

51.6 mm		 <p>KAL0061-1</p>	$d_1 - 0.5 = 51$ $d_2 - 0.5 = 31$	B44020A0006B051
76.9 mm		 <p>KAL0061-1</p>	$d_1 - 0.5 = 76$ $d_2 - 0.5 = 56$	B44020A0006B076



Capacitor diameter	Thread size	Dimensional drawing	Ordering code
Plastic cap nut "V"			
≤ 40 mm	M8 width across flats 13 mm		B44020B0005B008
> 40 mm	M12 width across flats 17 mm		B44020A0005B012
Reinforced nylon cap nut			
> 40 mm	M12 width across flats 19 mm		B44020J0006B012
≤ 40 mm	M8 width across flats 17 mm		B44020J0006B008
> 40 mm	M12 width across flats 19 mm		B44020J0007B012



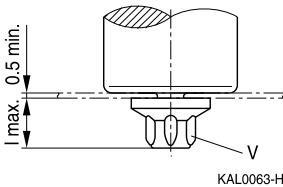
B44020

Screw terminals – Accessories

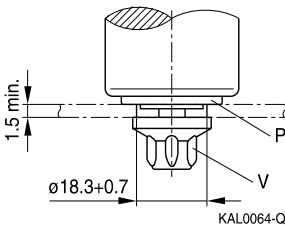
Mounting instructions

Maximum tightening torques:

Thread	Maximum torque
M8	4 Nm
M12	10 Nm



Non-insulated mounting with cap nut

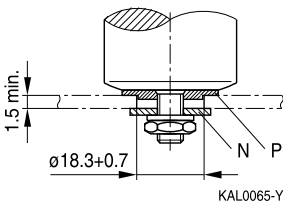


Insulated mounting with cap nut

Mounting hole diameter

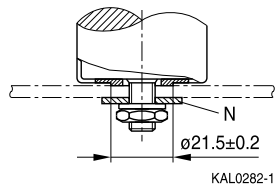
Insulated mounting with DIN 439 hex nut

$d \leq 76.9 \text{ mm}$

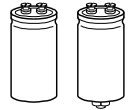


Mounting hole diameter

$d = 91 \text{ mm}$

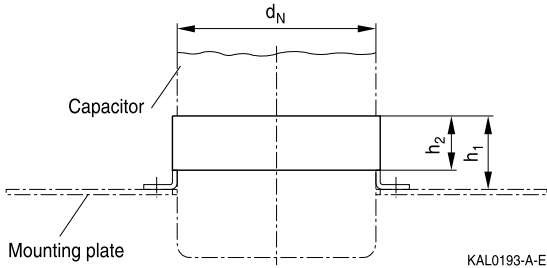


Mounting hole diameter



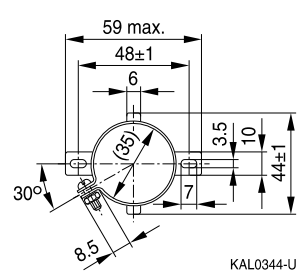
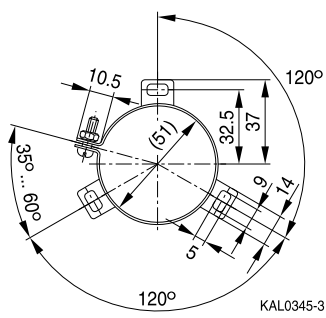
Ring clip mounting

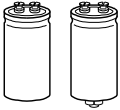
Ring clips are primarily used for upright mounting of screw-terminal and photoflash capacitors. The ring clips are corrosion protected and are RoHS-compatible.



KAL0193-A-E

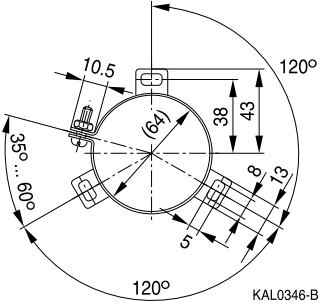
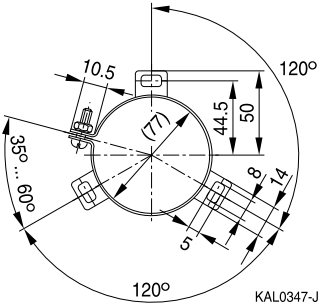
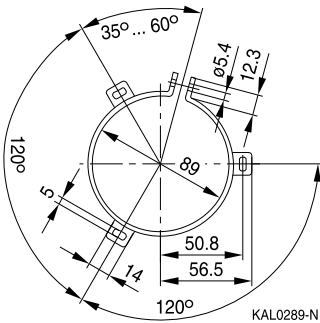
It is recommended to insert an additional insulating strip between capacitor and ring clip to avoid any risk of damage due to edges from the clip. The strip is included in delivery. For ordering code, see the following table. Attention must be paid to any relevant regulations (e.g. VDE, BSA or UL).

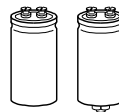
d_N	h_1 mm	h_2	Ring clip version	Ordering code with insulating strip
35	15	10	 KAL0344-U	B44030J0036B000 (insulating strip length: 230 mm)
50	22	15	 KAL0345-3	B44030J0051B000 (insulating strip length: 325 mm)



B44030

Screw terminals – Accessories

d_N	h_1 mm	h_2	Ring clip version	Ordering code with insulating strip
65	29	19	 <p style="text-align: right;">KAL0346-B</p>	<p>B44030J0064B000</p> <p>(insulating strip length: 420 mm)</p>
75	29	19	 <p style="text-align: right;">KAL0347-J</p>	<p>B44030J0075B000</p> <p>(insulating strip length: 495 mm)</p>
90	29	19	 <p style="text-align: right;">KAL0289-N</p>	<p>B44030J0090B000</p> <p>(insulating strip length: 585 mm)</p>

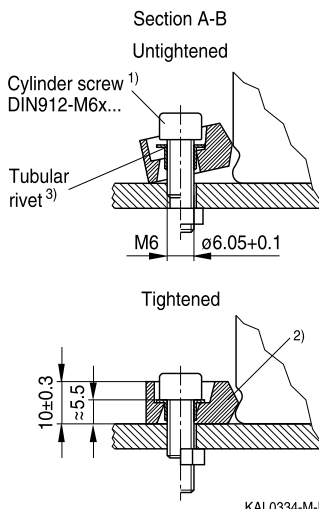
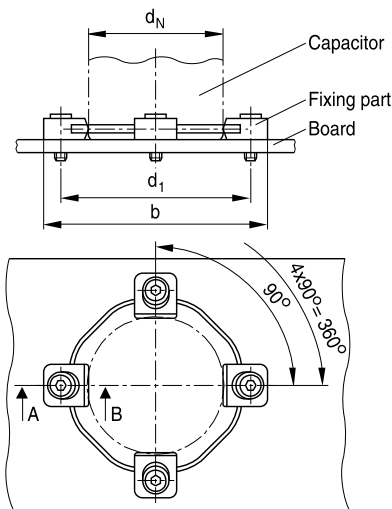


Clamp mounting

Screw-terminal capacitors without threaded stud and with a diameter ≥ 64.3 mm can also be mounted with ring clamps. Clamp mounting offers the following advantages:

- Optimum heat transfer between capacitor base and board due to pressure contact
- High vibration resistance
- Electrically insulated material

Dimensional drawing



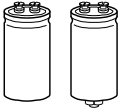
KAL0334-M-E

- 1) Length depends on application.
- 2) The screws have to be tightened uniformly and crosswise until the fixing part rests flatly on the board.
- 3) Tubular rivets included in delivery package.

Dimensions and ordering codes

Capacitor diameter d_N	$d_1 \pm 0.2$ mm	b mm	Ordering code
65 mm	87	104	B44030A0165B000
75 mm	99	116	B44030A0175B000
90 mm	112	130	B44030A0190B000

Screws are not included in the delivery package.



B44030

Screw terminals – Accessories

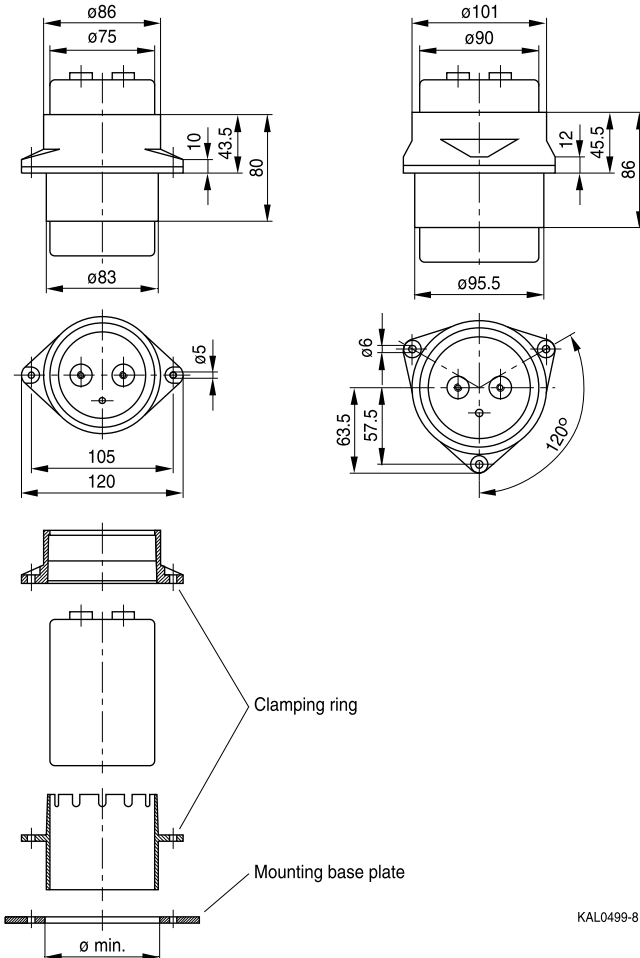
Mounting set (ring clamps)

- Protects the capacitor against tilt and the terminals from mechanical stress
- Fits for different capacitor length
- Electrically insulated clamping material

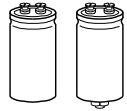
Dimensions and ordering codes

Capacitor diameter d_N	\varnothing_{\min}	Ordering code
75 mm	84 mm	B44030A0375B000
90 mm	96.5 mm	B44030A0390B000

Dimensional drawing



KAL0499-8



Cautions and warnings

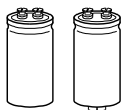
Personal safety

The electrolytes used by EPCOS have not only been optimized with a view to the intended application, but also with regard to health and environmental compatibility. They do not contain any solvents that are detrimental to health, e.g. dimethyl formamide (DMF) or dimethyl acetamide (DMAC).

Furthermore, part of the high-voltage electrolytes used by EPCOS are self-extinguishing. They contain flame-retarding substances which will quickly extinguish any flame that may have been ignited.

As far as possible, EPCOS does not use any dangerous chemicals or compounds to produce operating electrolytes. However, in exceptional cases, such materials must be used in order to achieve specific physical and electrical properties because no safe substitute materials are currently known. However, the amount of dangerous materials used in our products has been limited to an absolute minimum. Nevertheless, the following rules should be observed when handling Al electrolytic capacitors:

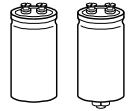
- Any escaping electrolyte should not come into contact with eyes or skin.
- If electrolyte does come into contact with the skin, wash the affected parts immediately with running water. If the eyes are affected, rinse them for 10 minutes with plenty of water. If symptoms persist, seek medical treatment.
- Avoid breathing in electrolyte vapor or mists. Workplaces and other affected areas should be well ventilated. Clothing that has been contaminated by electrolyte must be changed and rinsed in water.



Product safety

The table below summarize the safety instructions that must be observed without fail. A detailed description can be found in the relevant sections of chapter "General technical information".

Topic	Safety information	Reference Chapter "General technical information"
Polarity	Make sure that polar capacitors are connected with the right polarity.	1 "Basic construction of aluminum electrolytic capacitors"
Reverse voltage	Voltages polarity classes should be prevented by connecting a diode.	3.1.6 "Reverse voltage"
Upper category temperature	Do not exceed the upper category temperatur.	7.2 "Maximum permissible operating temperature"
Maintenance	Make periodic inspections of the capacitors. Before the inspection, make sure that the power supply is turned off and carefully discharge the electricity of the capacitors. Do not apply any mechanical stress to the capacitor terminals.	10 "Maintenance"
Mounting position of screw terminal capacitors	Do not mount the capacitor with the terminals (safety vent) upside down.	11.1. "Mounting positions of capacitors with screw terminals"
Mounting of single-ended capacitors	The internal structure of single-ended capacitors might be damaged if excessive force is applied to the lead wires. Avoid any compressive, tensile or flexural stress. Do not move the capacitor after soldering to PC board. Do not pick up the PC board by the soldered capacitor. Do not insert the capacitor on the PC board with a hole space different to the lead space specified.	11.4 "Mounting considerations for single-ended capacitors"
Robustness of terminals	The following maximum tightening torques must not be exceeded when connecting screw terminals: M5: 2 Nm M6: 2.5 Nm	11.3 "Mounting torques"
Soldering	Do not exceed the specified time or temperature limits during soldering.	11.5 "Soldering"



Screw terminals – Accessories

Topic	Safety information	Reference Chapter "General technical information"
Soldering, cleaning agents	Do not allow halogenated hydrocarbons to come into contact with aluminum electrolytic capacitors.	11.6 "Cleaning agents"
Passive flammability	Avoid external energy, such as fire or electricity.	8.1 "Passive flammability"
Active flammability	Avoid overload of the capacitors.	8.2 "Active flammability"
		Reference Chapter "Capacitors with screw terminals"
Breakdown strength of insulating sleeves	Do not damage the insulating sleeve, especially when ring clips are used for mounting.	"Screw terminals - accessories"

Important notes

The following applies to all products named in this publication:

1. Some parts of this publication contain **statements about the suitability of our products for certain areas of application**. These statements are based on our knowledge of typical requirements that are often placed on our products in the areas of application concerned. We nevertheless expressly point out **that such statements cannot be regarded as binding statements about the suitability of our products for a particular customer application**. As a rule, EPCOS is either unfamiliar with individual customer applications or less familiar with them than the customers themselves. For these reasons, it is always ultimately incumbent on the customer to check and decide whether an EPCOS product with the properties described in the product specification is suitable for use in a particular customer application.
2. We also point out that **in individual cases, a malfunction of passive electronic components or failure before the end of their usual service life cannot be completely ruled out in the current state of the art, even if they are operated as specified**. In customer applications requiring a very high level of operational safety and especially in customer applications in which the malfunction or failure of a passive electronic component could endanger human life or health (e.g. in accident prevention or life-saving systems), it must therefore be ensured by means of suitable design of the customer application or other action taken by the customer (e.g. installation of protective circuitry or redundancy) that no injury or damage is sustained by third parties in the event of malfunction or failure of a passive electronic component.
3. **The warnings, cautions and product-specific notes must be observed.**
4. In order to satisfy certain technical requirements, **some of the products described in this publication may contain substances subject to restrictions in certain jurisdictions (e.g. because they are classed as “hazardous”)**. Useful information on this will be found in our Material Data Sheets on the Internet (www.epcos.com/material). Should you have any more detailed questions, please contact our sales offices.
5. We constantly strive to improve our products. Consequently, **the products described in this publication may change from time to time**. The same is true of the corresponding product specifications. Please check therefore to what extent product descriptions and specifications contained in this publication are still applicable before or when you place an order. We also **reserve the right to discontinue production and delivery of products**. Consequently, we cannot guarantee that all products named in this publication will always be available.
6. Unless otherwise agreed in individual contracts, **all orders are subject to the current version of the “General Terms of Delivery for Products and Services in the Electrical Industry” published by the German Electrical and Electronics Industry Association (ZVEI)**.
7. The trade names EPCOS, EPCOS-JONES, BAOKE, Alu-X, CeraDiode, CSSP, MLSC, PhaseCap, PhaseMod, SIFERRIT, SIFI, SIKOREL, SilverCap, SIMID, SIOV, SIP5D, SIP5K, UltraCap, WindCap are **trademarks registered or pending** in Europe and in other countries. Further information will be found on the Internet at www.epcos.com/trademarks.