



Ministry of Defence

Defence Standard

59-100(PART 2)/Issue 1

28 January 1981



**FUSEHOLDERS; CARRIERS,
CARTRIDGE FUSE LINK AND
WIRE FUSE ELEMENT; AND
BASES ELECTRICAL FUSE**

PART 2: LISTS

OBSOLESCE

**THIS DEFENCE STANDARD WILL NOT BE UPDATED AND IS
NOT TO BE USED FOR THE PURCHASE OF NEW EQUIPMENT**

AMENDMENT RECORD

AMENDMENT NUMBER	DATE	SIGNATURE

© Crown Copyright 1981

Published by and obtainable from:
Ministry of Defence
Directorate of Standardization
First Avenue House
High Holborn
London WC1V 6HE

D/D Stan/59/4/3/2
D/DA Mech/47/27/7

This Standard may be fully reproduced except for sale purposes. The following conditions must be observed:

1. The Royal Coat of Arms and the publishing imprint are to be omitted.
2. The following statement is to be inserted on the cover:

'Crown Copyright. Reprinted by (name of firm) with the permission of Her Majesty's Stationery Office.'

Requests for commercial reproduction should be addressed to MOD Stan 1, First Avenue House, London WC1V 6HE.

FUSE HOLDERS; CARRIERS, CARTRIDGE FUSE LINK AND WIRE FUSE ELEMENT; AND
BASES ELECTRICAL FUSE

This Defence Standard supersedes Defence Standard 59-19 dated 1 August 1969 and its Addendum dated 1 August 1969; Defence Specification DEF 64 dated September 1964; and SDM(A) 87-2 pages 2A and 3A

1. This Defence Standard lists fuse holders; carriers, cartridge fuse link and wire fuse element; and bases electrical fuse, for use by the Ministry of Defence.
2. This Standard has been prepared because there is no suitable national or any other overall Standard acceptable to the Ministry of Defence available.
3. The preparation of conventional Tables I, II, and III is particularly difficult for this subject. Items have therefore been allocated a Standardization Status Code (SSC) 1, 2 or 3 based on information currently available. These codes have the following meanings:

SSC 1 - A standard item to be used wherever practicable in preference to all others. It may replace one or more non-standard items.

SSC 2 - A non-standard item for which there is no replacement. It is to be provisioned only for the maintenance of existing equipment.

SSC 3 - An Item not authorised for future procurement. Where necessary suitable replacements are shown.
4. For all requirements other than aerospace use, selection for future designs of equipments and wherever acceptable for maintenance of existing equipment, shall be made from the SSC 1 ranges to PART 1 of this Standard.
 - 4.1 For aerospace applications only, selection shall be made in conjunction with and agreement by the Controller Aircraft at the following address MOD(PE), AD/Elec, St Giles Court, London WC2H 8LD.
5. All items that are coded SSC 1 to the requirements of PART 1 Section A of this Standard shall have Qualification Approval.
6. This Standard has been agreed by authorities concerned. It is to be implemented wherever practicable, in all designs, contracts, orders etc commencing after its date of publication. If a difficulty arises which prevents application of the Defence Standard, the Directorate of Standardization shall be informed so that a remedy can be sought.
7. Any enquiries regarding this Standard in relation to an invitation to tender or a contract in which it is invoked are to be addressed to the responsible technical or supervising authority named in that invitation to tender or contract.

INDEX TO CONTENTS

	<u>PAGE NO</u>
RELATED DOCUMENTS	3
NOTES APPLICABLE TO TABLES	4
TABLE A1 - FUSE HOLDERS, BLOCK TYPE, TO HOLD LUG TYPE CARTRIDGE FUSE LINKS	5-6
TABLE A2 - FUSE HOLDERS, BLOCK TYPE, TO HOLD FUSE LINKS INDICATOR ALARM	7
TABLE A3 - FUSE HOLDERS, BLOCK TYPE, FUSE WIRE TYPE (REWIRABLE)	8-9
TABLE A4 - FUSE HOLDERS, BLOCK TYPE, TO HOLD FERRULE TYPE CARTRIDGE FUSE LINKS	10-11
TABLE A5 - FUSE HOLDERS, BLOCK TYPE, MULTI ACCOMMODATION	12
TABLE A6 - FUSE HOLDERS, BLOCK TYPE, TO HOLD FERRULE TYPE CARTRIDGE FUSE LINKS AND DESIGNED TO HOLD SPARE FUSE LINKS	13
TABLE B - FUSE HOLDERS, EXTRACTOR POST, TO HOLD FERRULE TYPE CARTRIDGE FUSE LINKS	14-16
TABLE C - FUSE HOLDERS, IN LINE AND PRINTED CIRCUIT TYPES	17
TABLE D - CARRIERS, CARTRIDGE FUSE LINK AND CARRIERS, WIRE FUSE ELEMENT	18
TABLE E - BASES, ELECTRICAL FUSE	19
FIGURES 1 TO 62	20-41
INDEX TO NATO STOCK NUMBERS	42-43

8. RELATED DOCUMENTS

8.1 Reference is made in this Standard to:

BS 88	'Cartridge fuses for voltages up to and including 1000 Volts ac and 1500 Volts dc'
BS 415	'Safety requirements for mains operated household sound and vision equipment'
BS 771	'Phenolic moulding materials'
BS 861	'Air break switches and isolators'
BS 3036	'Semi enclosed electric fuses'

8.2 Reference in this Defence Standard to any related document means, in any tender or contract, the edition current at the date of such tender or contract unless a specific issue is indicated.

8.3 British Standards are obtainable from:

British Standards Institution
Sales Branch,
Newton House,
101 Pentonville Road,
London N1 9ND

NOTES APPLICABLE TO THE TABLES

1. When only a Service management code appears in the Navy column, the full Navy number is the last seven digits of the NATO Stock Number prefixed by that code, eg 0559/913-7786.
2. When only a Service management code appears in the Army column, the full Army number is the NATO Stock Number prefixed by that code, eg Z32/5920-99-999-9732.
3. When only a Service management code appears in the RAF column, the full RAF number is the last seven digits of the NATO Stock Number prefixed by that code, eg 10H/9147696 (the number is not hyphenated).
4. The double dash symbol (- -) in the Service management code/domestic reference number column means that the Service concerned does not at present use the item. By implication the symbol does not mean that the Service never will use the item. The Services say that although they do not currently hold the item, if they do need it, then that is the one they will use.

5. Abbreviations used in the Tables:

<u>Abbreviation</u>	<u>Meaning</u>
MNGT	Managment
DOM	Domestic
DWG	Drawing
MFRS	Manufacturers
THD	Threaded
dia	diameter
lg	long
A/A	Any acceptable
FH	Fuse holder
NR	Not rated
NS	Not stated
SRBP	Synthetic resin bonded paper
SRBF	Synthetic resin bonded fibre/fabric

6. The contact blocks shown in Figs 12 and 13 have NSN's of 5920-99-444-4998 for the size 6 carrier and 5920-99-444-4999 for the size 7 carrier. The contact blocks are supplied as a pair.

TABLE A1
FUSE HOLDERS BLOCK TYPE
TO HOLD LUG TYPE CARTRIDGE FUSE LINKS

I T E M NO	NATO STOCK NUMBER 5920-99-	S S C	SERVICE MNGT CODE OR DOM REF NUMBER			MAX ELECTRICAL RATINGS		DESCRIPTION				BODY MATERIAL	SPECIFICATION	DWG NO OR MFRS REF	F I G	MANUFACTURER	REMARKS
								FUSE LINK DATA		TERMINAL DATA							
			NAVY	ARMY	RAF	VOLTS	AMPS	QTY	BODY SIZE mm OR REF	QTY	TYPE						
			(c)	(d)	(e)	(f)	(g)	(h)	(j)	(k)	(l)						
1	913-7786	2	0559	-	-	100	10	1	15.91g 5.6dia	2	Lug	SRBP	-	LP 737035	-	STD Telephones	
2	972-1457	2	0559	-	-	250	15	1	1	2	Thd Post	Plastic	ASWE	48488	-	ASWE /&C	
3	999-9732	2	-	Z32	-	440	15	1	55.61g 12.7dia	2	Thd Stud	"	-	2054B	-	Eleco	
4	914-7696	2	-	-	10H	500	15	1	60.31g 15.9dia	2	Thd Stud	"	-	E/RAD/A59186	-	Marconi Radar	
5	900-5445	2	-	-	-	500	15	1	60.31g 13.5dia	2	Thd Stud	"	-	W88499C	-	Marconi Radar	
6	972-9811	2	0559	5920	10H	250	20	1	50.81g 13.5dia	2	Wire Lead	"	BS 771	SS-H	60	GEC	Front Connected
7	915-1675	2	0559	Z32	10H	440	20	1	60.31g 12.7dia	2	Screw Clamp	"	BS 771	NS-H	61A	GEC	Front Connected
8	900-7977	2	-	-	-	440	20	1	60.31g 12.7dia	2	Screw Clamp	"	BS 771	NS-B	61B	GEC	Busbar Connected
9	914-7697	2	-	-	10H	500	20	1	57.21g 15.9dia	2	Thd Stud	"	BS 771	NS-P	61C	GEC	Back Connected
10	534-0216	2	K014	-	-	NR	20	1	55.61g 13.5dia	2	Plug	"	-	2320-103	-	Allen West EAC	
11	711-7463	1	K276	-	10H	660	20	1	A1	2	Screw	"	BS 88	RS20H	17B	GEC	Front Connected
12	625-7854	3	-	-	10H	660	20	1	A1	2	Screw	"	BS 88	RS20PH	17C	GEC	Replace by 544-1727
13	544-1727	1	-	-	-	660	20	1	A1	2	Thd Stud/Screw	"	BS 88	RS20PH	17C	GEC	Front/Back Connected
14	222-1406	2	-	-	-	660	20	1	A1	2	Thd Stud	"	BS 88	RS20P	17A	GEC	Colour, White
15	648-3226	1	-	-	-	660	20	1	A1	2	Screw	"	Part 1 Sect A	-	17B	-	Front Connected
16	648-3227	1	-	-	-	660	20	1	A1	2	Thd Stud	"	Part 1 Sect A	-	17D	-	Back Connected, Surface
17	648-3228	1	-	-	-	660	20	1	A1	2	Thd Stud	"	Part 1 Sect A	-	17A	-	Back Connected
18	648-3229	1	-	-	-	660	20	1	A2	2	Thd Stud/Screw	"	Part 1 Sect A	-	17C	-	Flush Front/Back Connected
19	940-1035	2	-	Z32	10H	440	30	1	1	2	Thd Stud	"	Part 1 Sect B	A143740	6	McGeoch	
20	948-5403	2	-	-	-	500	30	1	A2	2	Screw	Ceramic	-	EE30	-	Bill Switchgear	
21	538-9664	1	-	-	-	660	32	1	A2	2	Screw	Plastic	BS 88	SM32PH	62C	GEC	Front/Back Connected
22	900-1613	1	0559	Z32	10H	660	32	1	A2	2	Screw Clamp	"	BS 88	SM32H	62A	GEC	Front Connected
23	972-9809	1	0559	-	10H	660	32	1	A2	2	Screw	"	BS 88	SM32P	62B	GEC	Back Connected
24	948-4989	1	0883	-	10H	660	32	1	A2	2	Screw	"	BS 88	RS32H	18A	GEC	Front Connected
25	618-2498	2	-	-	-	660	32	1	A2	2	Screw	"	BS 88	RS32H/W	18A	GEC	Colour, White
26	108-3527	1	K276 0880	-	10H	660	32	1	A2	2	Thd Stud	"	BS 88	RS32P	18C	GEC	Back Connected
27	119-8494	1	-	-	-	660	32	1	A2	2	Thd Stud/Screw	"	BS 88	RS32PH	18B	GEC	Front/Back Connected
28	648-3230	1	-	-	-	660	32	1	A2	2	Screw	"	Part 1 Sect A	-	18A	-	Front Connected
29	648-3231	1	-	-	-	660	32	1	A2	2	Thd Stud	"	Part 1 Sect A	-	18C	-	Back Connected, Surface
30	648-3232	1	-	-	-	660	32	1	A2	2	Thd Stud/Screw	"	Part 1 Sect A	-	18B	-	Front/Back Connected
31	940-1036	2	-	-	10H	440	60	1	2	2	Thd Stud	"	Part 1 Sect B	A143743	7	Eleco	
32	631-7599	2	-	-	10H	NR	NR	1	88.01g 11.5dia	2	Clamp	"	-	MF60	-	Techna Internat	
33	142-2733	2	-	-	-	550	63	1	A2 or A3	2	Screw	"	-	K63A	21	Brush	Front Connected
34	915-1566	1	0619	Z32	10H	660	63	1	A3	2	Screw Clamp	"	BS 88	SM63H	62A	GEC	Front Connected

Notes applicable to these tables are on page 4

TABLE A1 (contd)
FUSE HOLDERS BLOCK TYPE
TO HOLD LUG TYPE CARTRIDGE FUSE LINKS

I T E M NO	NATO STOCK NUMBER 5920-99-	S S C	SERVICE MNGT CODE OR DOM REF NUMBER		DESCRIPTION													MANUFACTURER	REMARKS
					MAX ELECTRICAL RATINGS		FUSE LINK DATA		TERMINAL DATA		BODY MATERIAL	SPECIFICATION	DWG NO OR MFRS REF	F I G					
							QTY	BODY SIZE mm OR REF	QTY	TYPE									
					NAVY	ARMY					RAF	VOLTS	AMPS	(h)	(j)	(k)	(l)		
35	970-6630	1	-	-	10H	660	63	1	A3	2	Screw Clamp	Plastic	BS 88	SM63B	62D	GEC	Busbar Connected		
36	948-5053	1	-	-	10H	660	63	1	A2 or A3	2	Screw	"	BS 88	RS63H	18A	GEC	Front Connected		
37	106-6201	1	-	-	10H	660	63	1	A2 or A3	2	Thd Stud	"	BS 88	RS63P	18C	GEC	Back Connected		
38	625-7855	1	-	Z32	10H	660	63	1	A2 or A3	2	Thd Stud/Screw	"	BS 88	RS63PH	18B	GEC	Front/Back Connected		
39	648-3233	1	-	-	-	660	63	1	A2 or A3	2	Screw	"	Part 1 Sect A	-	18A	-	Front Connected		
40	648-3234	1	-	-	-	660	63	1	A2 or A3	2	Thd Stud	"	Part 1 Sect A	-	18C	-	Back Connected, Surface		
41	648-3235	1	-	-	-	660	63	1	A2 or A3	2	Thd Stud/Screw	"	Part 1 Sect A	-	18B	-	Front/Back Connected		
42	630-9292	2	-	Z32	10H	NR	NR	1	142.01g 25.4dia	2	Thd Stud	"	-	N23731	-	Plessey			
43	142-2732	2	-	-	-	550	100	1	A4	2	Screw	"	-	L100A	26	Brush	Front Connected		
44	900-6145	1	-	-	-	660	100	1	A4	2	Screw Clamp/BB	"	BS 88	SM100B	62D	GEC	Busbar Connected		
45	102-1449	1	-	Z32	10H	660	100	1	A4	2	Screw Clamp	"	BS 88	SM100P	62B	GEC	Back Connected		
46	108-3528	1	K276	-	10H	660	100	1	A4	2	Thd Stud	"	BS 88	RS100P	18C	GEC	Back Connected		
47	109-4112	1	K276	-	6U	660	100	1	A4	2	Screw	"	BS 88	RS100H	18A	GEC	Front Connected		
48	648-3236	1	-	-	-	660	100	1	A4	2	Screw	"	Part 1 Sect A	-	18A	-	Front Connected		
49	648-3237	1	-	-	-	660	100	1	A4	2	Thd Stud	"	Part 1 Sect A	-	18C	-	Back Connected, Surface		
50	648-3238	1	-	-	-	660	100	1	A4	2	Thd Stud/Screw	"	Part 1 Sect A	-	18B	-	Front/Back Connected		
51	940-1037	2	-	-	-	440	200	1	3	2	Solder Lug	"	ASWE	B143746	8	ASWE			
52	528-2151	1	K276	-	-	660	200	1	B1 or B2	2	Thd Stud/Clamp	"	BS 88	RS200PH	19B	GEC	Front/Back Connected		
53	648-3239	1	-	-	-	660	200	1	B1 or B2	2	Screw Clamp	"	Part 1 Sect A	-	19A	-	Front Connected		
54	648-3240	1	-	-	-	660	200	1	B1 or B2	2	Thd Stud	"	Part 1 Sect A	-	19C	-	Back Connected, Surface		
55	648-3241	1	-	-	-	660	200	1	B1 or B2	2	Thd Stud/Clamp	"	Part 1 Sect A	-	19B	-	Front/Back Connected		
56	712-2979	1	-	-	-	660	400	1	C1	2	Thd Stud	"	BS 88	RS400P	20C	GEC	Back Connected		
57	648-3242	1	-	-	-	660	400	1	C1	2	Screw Clamp	"	Part 1 Sect A	-	20A	-	Front Connected		
58	648-3243	1	-	-	-	660	400	1	C1	2	Thd Stud	"	Part 1 Sect A	-	20C	-	Back Connected		
59	648-3244	1	-	-	-	660	400	1	C1	2	Thd Stud/Clamp	"	Part 1 Sect A	-	20B	-	Front/Back Connected		

Notes applicable to these tables are on page 4

TABLE A2
 FUSE HOLDERS BLOCK TYPE
 TO HOLD FUSE LINKS INDICATOR ALARM

I T E M N O	NATO STOCK NUMBER 5920-99-	S S C	SERVICE MNGT CODE OR DOM REF NUMBER			MAX ELECTRICAL RATINGS		FUSE LINK DATA		TERMINAL DATA		BODY MATERIAL	SPECIFICATION	DWG NO OR MFRS REF	F I G	MANUFACTURER	REMARKS
								QTY	BODY SIZE mm OR REF	QTY	TYPE						
			NAVY	ARMY	RAF	VOLTS	AMPS					(h)	(j)	(k)	(l)		
			(a)	(b)	(c)	(d)	(e)	(f)	(g)	(h)	(j)	(k)	(l)	(m)	(n)	(o)	(p)
1	222-1549	3	-	-	-	50	6	6	43.21g	7	Screw	Plastic	TP1007	31-0797	-	GPO	Replace by 105-9681
2	115-9536	2	-	-	-	50	6	10	47.61g 9.5W	11	Lug	"	-	No 29	-	Marconi	
3	222-1550	2	-	-	-	50	6	10	53.71g 8.7W	11	Solder Lug	"	-	No 31A	-	Marconi	
4	222-1541	2	-	-	-	50	6	10	53.71g 8.7W	20	Solder Lug	"	-	No 61	-	Marconi	
5	105-9686	2	-	Z32	-	50	15	1	46.01g 13.5W	3	Solder Lug	"	TP1006	No 131B	-	GPO	
6	105-9681	2	-	Z32	-	50	15	6	46.01g 13.5W	7	Solder Lug	"	TP1007	No 631B	-	GPO	
7	900-7291	2	-	Z32	-	NR	NR	1	61.91g 28.6W	3	Screw	"	-	96281	-	GEC Telecoms	

Notes applicable to these tables are on page 4

7

TABLE A2

TABLE A3
FUSE HOLDERS BLOCK TYPE
FUSE WIRE TYPE (REWIRABLE)

I T E M N O	NATO STOCK NUMBER 5920-99-	S S C	SERVICE MNGT CODE OR DOM REF NUMBER			DESCRIPTION												MANUFACTURER	REMARKS
						MAX ELECTRICAL RATINGS		FUSE LINK DATA		TERMINAL DATA		BODY MATERIAL	SPECIFICATION	DWG NO OR MFRS REF	F I G				
			NAVY	ARMY	RAF	VOLTS	AMPS	QTY	BODY SIZE mm OR REF	QTY	TYPE								
			(a)	(b)	(c)	(d)	(e)	(f)	(g)	(h)	(j)	(k)	(l)	(m)	(n)	(o)	(p)		
1	119-1680	2	-	-	-	NR	NR	1		2	Screw	Plastic	-	N20572	-	Plessey			
2	444-4761	2	0559	-	-	NR	NR	1		2	Screw	SRBP	-	SEE 661	-	MOD(N)			
3	933-0571	2	0559	Z32	10H	250	5	1		2	Screw	Plastic	-	X5341	22A	E Wilcox	Front Wiring		
4	451-2719	2	-	Z32	-	250	5	1		2	Thd Stud/Screw	"	-	X5BCB	22D	E Wilcox	Back Connection		
5	451-2720	2	-	-	-	250	5	1		2	Thd Stud/Screw	"	-	X5BCT	22C	E Wilcox	Bottom Back Connection		
6	198-5153	2	-	-	-	250	5	1		2	Screw	"	-	X5345	22F	E Wilcox	Top Back Connection		
7	408-8556	2	-	-	-	250	5	1		2	Screw	"	-	X534BWM	22F	E Wilcox	Back Wiring		
8	580-1725	2	0559	Z32	-	250	5	1		2	Thd Stud	"	-	X5342BC	22B	E Wilcox	Back Connection		
9	900-4028	2	0559	X2	10H	250	5	1		2	Thd Stud	"	-	X5344	22E	E Wilcox	Back Connection		
10	900-7849	2	K913	X2	-	440	5	1		2	Thd Stud	"	BS 3036	H522	23B	E Wilcox	Metal Mtg Back Connection		
11	110-3505	2	-	-	-	440	5	1		2	Thd Stud/Screw	"	BS 3036	H521	23C	E Wilcox	Back Connection		
12	452-3382	2	-	Z32	-	250	15	1		2	Thd Stud/Screw	"	-	X15BCB	22D	E Wilcox	Top Back Connection		
13	452-3381	2	-	Z32	-	250	15	1		2	Thd Stud/Screw	"	-	X15BCT	22C	E Wilcox	Bottom Back Connection		
14	466-3733	2	-	Z32	-	250	15	1		2	Thd Stud/Screw	"	-	X1533	22	E Wilcox	Top Front Wiring		
15	142-2734	2	-	Z32	10H	250	15	1		2	Screw	"	-	FWT-MMB G1511	24A	E Wilcox	Top Metal Mtg		
16	620-4916	2	-	Z32	-	NR	15	1		2	Screw	"	-	X15336	22	E Wilcox	Bottom Front Wiring		
17	520-7543	2	-	-	-	250	15	1		2	Thd Stud	"	-	X15332	22B	E Wilcox	Back Connection		
18	110-2771	2	0624	Z32	10H	250	15	1		2	Thd Stud	"	-	G1533	22E	E Wilcox	Back Connection		
19	103-6349	2	-	Z32	-	440	15	1		2	Thd Stud	"	BS 3036	H1512	23D	E Wilcox	Back Connection		
20	110-3504	2	-	-	-	440	15	1		2	Thd Stud/Screw	"	BS 3036	H1521	23C	E Wilcox	Bottom Back Connection		
21	105-0325	2	-	Z32	10H	440	15	1		2	Thd Stud	"	BS 3036	H1533	23E	E Wilcox	Top Back Connection		
22	548-1820	2	-	-	-	440	15	1		2	Thd Stud	"	BS 3036	H1522	23B	E Wilcox	Metal Mtg Back Connection		
23	945-8077	2	-	-	-	500	15	1		2	Screw	NS Plastic	-	15R	-	Simplex	Back Connection		
24	419-4888	2	0559	-	-	NR	15	1		2	Screw	"	-	954-1107	-	HMUDE			
25	466-3734	2	-	Z32	-	250	30	1		2	Thd Stud/Screw	"	-	X3034	22	E Wilcox	Front Wiring		
26	900-4325	2	0559	Z32	10H	250	30	1		2	Thd Stud	"	-	FWT-MMB X30342	22B	E Wilcox	Top Metal Mtg Bottom Back Connection		

NOTE: WILCOX G AND H RANGE CAN TAKE STANDARD TYPE OR HRC CARTRIDGE
WIRE FUSE ELEMENT

Notes applicable to these tables are on page 4

TABLE A3 (contd)

FUSE HOLDERS BLOCK TYPE
FUSE WIRE TYPE (REWIRABLE)

I T E M N O	NATO STOCK NUMBER 5920-99-	S S C	SERVICE MNGT CODE OR DOM REF NUMBER			DESCRIPTION												MANUFACTURER	REMARKS
						MAX ELECTRICAL RATINGS		FUSE LINK DATA		TERMINAL DATA		BODY MATERIAL	SPECIFICATION	DWG NO OR MFRS REF	F I G				
						VOLTS	AMPS	QTY	BODY SIZE mm OR REF	QTY	TYPE								
																(a)	(b)		
27	940-9860	2	-	Z32	10H	250	30	1	NOTE: WILCOX G & H RANGE CAN TAKE STANDARD TYPE OF HRC CARTRIDGE WIRE FUSE ELEMENT	2	Thd Stud	Plastic	-	X30344	22E	E Wilcox	Back Connection Metal Mtg		
28	450-9013	2	-	-	-	250	30	1		2	Thd Stud	"	-	X30BCT	22C	E Wilcox	Back Connection Top		
29	450-9012	2	-	-	-	250	30	1		2	Thd Stud/Screw	"	-	X30BCB	22D	E Wilcox	Back Connection Bottom		
30	110-3506	2	-	-	-	440	30	1		2	Thd Stud/Screw	"	BS 3036	H3021	23C	E Wilcox	Back Connection Top		
31	105-7240	2	-	Z32	-	440	30	1		2	Screw	"	Tropical	H3044	23	E Wilcox	Back Connection Metal Mtg		
32	103-6347	2	-	Z32	-	500	30	1		2	Lug	Ceramic	-	5U30B	-	Revo Electric			
33	999-2960	2	-	Z32	10H	500	33	1		2	Thd Stud	Plastic	-	C3033	24E	E Wilcox			
34	520-0660	2	0559	Z32	10H	250	60	1		2	Thd Stud	"	-	X60412	22B	E Wilcox	Back Connection		
35	451-2721	2	-	-	Z32	250	60	1		2	Thd Stud/Screw	"	-	X60BCB	22D	E Wilcox	Back Connection Bottom		

Notes applicable to these tables are on page 4

TABLE A4
FUSE HOLDERS BLOCK TYPE
TO HOLD FERRULE TYPE CARTRIDGE FUSE LINKS

I T E M NO	NATO STOCK NUMBER 5920-99-	S S C	SERVICE MNGT CODE OR DOM REF NUMBER			DESCRIPTION												MANUFACTURER	REMARKS
						MAX ELECTRICAL RATINGS		FUSE LINK DATA		TERMINAL DATA		BODY MATERIAL	SPECIFICATION	DWG NO OR MFRS REF	F I G				
										QTY	TYPE					QTY	TYPE		
						NAVY	ARMY	RAF	VOLTS	AMPS	QTY	BODY SIZE mm OR REF	QTY	TYPE	(m)	(n)	(o)		
	(a)	(b)	(c)	(d)	(e)	(f)	(g)	(h)	(j)	(k)	(l)	(m)	(n)	(o)	(p)	(q)	(r)		
1	951-9174	2	-	-	10H	NR	NR	1	0	2	Lug	Plastic	-	DP 18088	-	EKCO			
2	914-3440	2	0559	-	10H	250	NR	1	0	2	Screw	"	-	PO 136B	-	Electronics			
3	114-6568	2	-	Z32	-	NR	NR	1	0	2	Solder Lug	"	-	20/051	-	Ebomestos Inds			
4	640-5619	2	-	Z32	-	250	5	1	00	2	Solder Lug	"	-	A28345	-	Pressac Ltd			
5	955-7016	2	K072	5920	10H	250	5	1	201g 5.0dia	2	Solder Lug	SRBP	-	F267	27	Advance			
6	913-8323	2	-	X2	10H	250	5	1	23.81g 3.96dia	2	Screw	Plastic	-	W5341	22A	Electronics			
7	950-7947	2	-	-	-	250	5	1	23.81g 3.96dia	2	Thd Stud	Plastic	-	W5344MM	22E	A F Bulgin	Front Wiring		
8	100-5461	2	-	Z32	-	250	5	1	25.41g 6.35dia	4	Screw	"	-	T1265	-	E Wilcox	Metal Mtg		
9	970-2753	2	0559	-	10H	250	5	1	0	2	Solder Lug	"	-	510 MOD	31	Thorn			
10	533-3961	2	-	-	-	250	5	1	0	2	Solder Lug	"	-	F327	28	Electrical			
11	628-6447	2	-	-	10H	250	5	1	0	2	Screw	"	-	F142	29	Belling & Lee			
12	630-7545	2	-	-	10H	250	5	1	0	2	Screw	"	-	K511	25	A F Bulgin			
13	631-8601	3	-	-	10H	NR	5	1	0	2	Solder Lug	"	-	M23416	-	E Wilcox	Front Wiring		
14	950-9360	2	-	-	10H	500	5	1	0	2	Screw	"	-	A7325	-	Marconi Insts	Replace by 911-8252		
15	104-4515	2	-	Z32	-	250	5	1	73.01g 9.5dia	2	Post	"	-	No 101A	-	Page			
16	911-8252	2	0624	Z32	10H	NR	7	1	0	2	Solder Lug	"	-	L510	31	Engineering			
17	117-4006	2	-	Z32	-	NR	7	1	0	2	Solder Lug	"	-	248396	-	GPO			
18	117-1543	2	-	Z32	-	NR	7	1	0	2	Solder Lug	"	-	248439	-	Belling & Lee			
19	956-5425	2	-	Z32	10H	250	7.5	1	0	2	Solder Lug	SRBP	-	F27/2	30	Pye Comms			
20	421-6045	2	-	Z32	-	250	7.5	1	0	2	Solder Lug	Plastic	-	SD/A30999	-	Pye Tele Comms			
21	112-5047	2	-	-	-	250	7.5	1	0	2	Solder Lug	"	-	F27/3	30	A F Bulgin			
22	943-4885	2	0559	Z32	10H	NR	10	1	0	2	Screw	"	-	L1045/C3	32	Belling & Lee			
23	951-9907	2	-	-	-	275	10	1	44.981g 11.5dia	2	Lug	"	-	19485	-	Computer			
24	113-1266	2	-	-	6PH	NR	13	1	25.41g 9.83dia	4	Screw	"	-	F1597/13	-	Controls			
25	638-9623	2	-	-	10H	NR	15	1	20.01g 5.0dia	2	Solder Lug	"	-	412-661	28	OSRAM/GEC			
26	620-4240	2	-	-	5UC	NR	15	1	25.41g 6.35dia	2	Solder Lug	SRBP	-	NI78607/1	-	RS Components			
27	947-6581	2	-	-	10H	250	15	1	28.581g 4.75dia	2	Thd Stud	Plastic	-	W15334	22E	Lucas			
																Aerospace	Back Connection		
																E Wilcox	Metal Mtg		

Notes applicable to these tables are on page 4

TABLE A4 (contd)

FUSE HOLDERS BLOCK TYPE
TO HOLD FERRULE TYPE CARTRIDGE FUSE LINKS

I T E M NO	NATO STOCK NUMBER 5920-99-	S S C	SERVICE MNGT CODE OR DOM REF NUMBER			MAX ELECTRICAL RATINGS			FUSE LINK DATA		TERMINAL DATA		BODY MATERIAL	SPECIFICATION	DWG NO OR MFRS REF	F I G	MANUFACTURER	REMARKS
						VOLTS	AMPS	QTY	BODY SIZE mm OR REF	QTY	TYPE							
			NAVY	ARMY	RAF	(f)	(g)	(h)	(j)	(k)	(l)	(m)	(n)	(o)	(p)	(q)	(r)	
			(a)	(b)	(c)	(d)	(e)	(f)	(g)	(h)	(j)	(k)	(l)	(m)	(n)	(o)	(p)	(q)
28	635-5668	2	-	Z32	10H	NR	15	1	0	2	Solder Lug	Plastic	-	412-677	28	RS Components	Back Connection/ Metal Mtg	
29	900-2559	2	-	X2	-	250	30	1	36.531g 6.35dia	2	Thd Stud	"	-	W30341	22A	E Wilcox		
30	522-4471	2	-	-	-	500	30	1	85.71g 22.2dia	2	Screw	"	-	SGM20P	-	GEC		
31	113-2496	2	-	-	-	250	60	1	50.81g 12.7dia	2	Thd Stud	"	-	W60414	22E	E Wilcox		
32	444-5173	2	0559	-	-	NR	400	1	120.71g 57.2dia	2	Screw	Ceramic	-	WIS7142	-	Marconi		
33	999-3570	2	-	Z32	10H	250	500	1	31.81g 6.3dia	2	Screw	Plastic	Post Office	136A	-	POED		

Notes applicable to these tables are on page 4

TABLE A5
FUSE HOLDERS BLOCK TYPE
MULTI-ACCOMMODATION

I T E M N O	NATO STOCK NUMBER 5920-99-	S S C	SERVICE MNGT CODE OR DOM REF NUMBER			MAX ELECTRICAL RATINGS		DESCRIPTION										MANUFACTURER	REMARKS
			NAVY	ARMY	RAF	VOLTS	AMPS	FUSE LINK DATA			TERMINAL DATA		BODY MATERIAL	SPECIFICATION	DWG NO OR MFRS REF				
								QTY	TYPE	BODY SIZE mm OR REF	QTY	TYPE							
																(h)	(j)		
(a)	(b)	(c)	(d)	(e)	(f)	(g)	(h)	(j)	(k)	(l)	(m)	(n)	(o)	(p)	(q)	(r)			
1	199-7518	2	-	-	6TN	NR	NR	2		11.431g 4.06dia	4	Solder Lug	Plastic	-	3854/03475	Ferranti			
2	715-2713	2	-	-	-	250	5	2		0	4	Screw	"	-	F19	A F Bulgin			
3	544-2432	2	-	-	-	250	5	2		0	4	Screw	"	-	F141	A F Bulgin			
4	223-4262	2	0624	Z32	10H	250	5	2		0	4	Solder Lug	"	-	F26-3	A F Bulgin			
5	932-5515	2	0559	Z32	10H	250	10	2		0	4	Screw	"	-	L1033/C4	Belling & Lee			
6	932-2265	3	-	Z32	10H	250	10	2		0	4	Post	"	-	L1033/C3	Belling & Lee	Replace by 932-5515		
7	900-3171	2	-	Z32	-	250	5	3		0	6	Solder Lug	"	-	F50	A F Bulgin			
8	952-2746	2	-	-	-	NR	19	3		25.01g 7.7dia	6	Screw	"	-	AS2737	SBAC			
9	711-1642	2	-	-	-	NR	19	3		25.01g 7.7dia	6	Screw	"	-	YSA/81/380	SBAC			
10	947-6781	2	-	-	-	250	10	4		0	4	Thd Stud	"	-	03/53191	Ferranti			
11	624-8099	3	-	-	10H	NR	6.3	5		20.01g 5.0dia	10	Solder Lug	"	-	L2005/5	Belling & Lee	Replace by 643-6529		
12	437-5467	2	-	-	-	NR	NR	5		25.01g 7.6dia	10	Lug	MICA/Glass	-	N160668	Rotax			
13	952-2744	2	-	-	10H	NR	19	6		25.01g 7.7dia	6	Screw	Plastic	-	AS2738	SBAC			
14	626-9420	2	-	-	10H	NR	NR	10	Are	-	13	Screw/Stud/Lug	"	-	NFS2001	ML Industrial Products			
15	534-8857	2	0661	-	-	250	6.3	12		NK	24	Solder Lug	"	-	FK1609	Metway Electrical			
16	643-6529	2	-	-	-	NR	6.3	12		20.01g 5.0dia	24	Solder Lug	"	-	L2005	Belling & Lee			
17	621-7565	2	-	-	10H	NR	NR	12		25.41g 7.6dia	24	Clamp	"	-	AS2739	SBAC			
18	618-7985	2	0624	Z32	10H	NR	7.5	12		0	24	Solder Lug	"	-	L1746	Belling & Lee			
19	711-1643	2	-	-	-	NR	19	12		25.01g 7.7dia	24	Screw	"	-	YSA/81/372/A	SBAC			
20	711-1644	2	-	-	-	NR	19	12		25.01g 7.7dia	24	Screw	"	-	YSA/81/372/B	SBAC			
21	711-1645	2	-	-	-	NR	19	12		25.01g 7.7dia	24	Screw	"	-	YSA/81/372/C	SBAC			
22	711-1646	2	-	-	-	NR	19	12		25.01g 7.7dia	24	Screw	"	-	YSA/81/372/D	SBAC			
23	711-1647	2	-	-	-	NR	19	12		25.01g 7.7dia	24	Screw	"	-	YSA/81/372/E	SBAC			
24	711-1648	2	-	-	-	NR	19	12		25.01g 7.7dia	24	Screw	"	-	YSA/81/372/F	SBAC			
25	711-1649	2	-	-	-	NR	19	12		25.01g 7.7dia	24	Screw	"	-	YSA/81/372/G	SBAC			
26	711-1650	2	-	-	-	NR	19	12		25.01g 7.7dia	24	Screw	"	-	YSA/81/372/J	SBAC			
27	711-1651	2	-	-	-	NR	19	12		25.01g 7.7dia	24	Screw	"	-	YSA/81/372/K	SBAC			
28	104-6976	2	-	-	-	200	87	21	Lug	47.61g 12.7dia	24	Thd Stud	"	-	WB/UN/1461	Ward Brooke			

Notes applicable to these tables are on page 4

TABLE A6
 FUSE HOLDERS BLOCK TYPE
 TO HOLD FERRULE TYPE CARTRIDGE FUSE LINKS
 AND DESIGNED TO HOLD SPARE FUSE LINKS

I T E M NO	NATO STOCK NUMBER 5920-99-	S S C	SERVICE MNGT CODE OR DOM REF NUMBER			MAX ELECTRICAL RATINGS		FUSE LINK DATA			TERMINAL DATA		BODY MATERIAL	SPECIFICATION	DWG NO OR MFRS REF	MANUFACTURER	REMARKS
			NAVY	ARMY	RAF	VOLTS	AMPS	QTY IN USE	QTY	BODY SIZE mm OR REF	QTY	TYPE					
			(a)	(b)	(c)	(d)	(e)	(f)	(g)	(h)	(j)	(k)					
1	106-0938	2	-	Z32	-	NA	NA	0	1	0	NA	NA	Metal	-	SD/A199198	SRDE	
2	628-5180	2	-	-	-	NA	NA	0	2	31.81g 12.7dia	NA	NA	SRBP	-	N178608/1	Lucas	
3	198-4959	2	-	Z32	-	NR	NR	2	2	0	5	Screw	Plastic	-	385468	Aerospace	
4	468-3099	2	-	-	-	NR	NR	0	3	Fuse Wire	NA	NA	"	-	2/V13267	J Lucas	
5	824-0085	2	-	LV6	-	NA	NA	0	4	00	NA	NA	SRBP	FV 579305	X6040-162	H S Aviation	
6	804-8651	2	-	MT4	-	NA	NA	0	4	28.581g 19.1dia	NA	NA	Plastic	-	FV336807	IFVME	
7	970-9540	2	-	-	-	NA	NA	0	4	0	NA	NA	SRBP	-	80-06-32-6967	BAC(GW)	
8	628-5159	2	-	-	-	NA	NA	0	5	19.11g 6.35dia	A	NA	SRBF	-	N160663	Lucas	
9	108-3043	2	-	-	06NB	NA	NA	0	6	NS	NA	NA	SRBF	-	801646L8	Aerospace	
10	821-9021	2	-	LV6	-	NA	NA	0	8	NS	NA	NA	Rubber	-	FV646978	Handley Page	
				MT4												MOD(A)MVEE	

Notes applicable to these tables are on page 4

TABLE B
FUSE HOLDERS EXTRACTOR POST TYPE
TO HOLD FERRULE TYPE CARTRIDGE FUSE LINKS

ITEM NO	NATO STOCK NUMBER 5920-99-	SSC	SERVICE MNGT CODE OR DOM REF NUMBER			MAX ELECTRICAL RATINGS		FUSE LINK DATA		TERMINAL DATA		BODY MATERIAL	SPECIFICATION	DWG NO OR MFRS REF	FIG	MANUFACTURER	REMARKS
								QTY	BODY SIZE mm OR REF	QTY	TYPE						
			NAVY	ARMY	RAF	VOLTS	AMPS					(h)	(j)	(k)	(l)		
			(a)	(b)	(c)	(d)	(e)	(f)	(g)	(h)	(j)	(k)	(l)	(m)	(n)	(o)	(p)
1	971-3248	2	-	-	-	29	0.15	1	40.641g 12.7dia	2	Screw/Wire Lead	Metal	-	A656 Mk3	-	Graviner Ltd	
2	222-6357	2	-	-	-	NR	1.0	1	0	2	Screw/Lug	Plastic	-	4-5N121/1	-	BS Aviation	
3	059-0170	2	0559	Z32	10H	250	2.5	1	00	2	Solder Tag	"	-	L575	38	Belling & Lee	
4	059-1061	1	0559	Z32	10H	250	2.5	1	00	2	Solder Lug	"	Part 1 Sect B	L675	1	Belling & Lee	
5	142-6622	3	-	-	10H	250	2.5	1	00	2	Solder Lug	"	RCS 262	L575	38	Belling & Lee	Replace by 059-0170
6	645-5838	3	-	Z32	-	250	2.5	1	00	2	Solder Lug	"	-	SD/B254601	-	SRDE	Replace by 059-0170
7	971-3841	2	-	-	10H	500	4.0	1	50.81g 21.8dia	2	Screw	Ceramic	-	TZ25	-	AEI	
8	951-4707	2	0625	Z32	10H	250	5.0	1	00	2	Solder Lug	Plastic	-	F297	39	A F Bulgin	
9	112-6181	3	-	Z32	10H	250	5.0	1	20.01g 5.0dia	3	Solder Lug	"	-	M23416-191	42	Marconi Insts	Replace by 643-1920
10	222-1361	3	-	-	10H	250	5.0	1	20.01g 5.0dia	2	Solder Lug	"	-	-	-	Radio Spares	Replace by 643-1920
11	111-6523	3	-	-	10H	250	5.0	1	0	2	Solder Tag	SRBP	-	F55	40	A F Bulgin	Replace by 710-9629
12	710-9629	2	-	5920	-	250	5.0	1	0	2	Solder Lug	SRBP	-	F55	40	A F Bulgin	
13	643-1478	2	-	-	10H	250	6.3	1	20.01g 5.0dia	2	Solder Lug	Plastic	-	L2009/240/RED	41	Belling & Lee	Indicating Neon; Red
14	104-7721	2	0843	Z32	10H	250	6.3	1	20.01g 5.0dia	2	Solder Lug	"	-	F296	39	A F Bulgin	
15	643-1920	2	-	-	10H	250	6.3	1	20.01g 5.0dia	3	Solder Lug	"	-	E6011B	42	Belling & Lee	
16	646-2268	2	-	-	-	250	6.3	1	20.01g 5.0dia	3	Solder Lug	"	-	L2006A	43	Belling & Lee	
17	649-7329	3	-	-	-	250	6.3	1	20.01g 5.0dia	3	Solder Lug	"	-	F296	39	A F Bulgin	Replace by 104-7721
18	711-9094	3	-	-	-	250	6.3	1	20.01g 5.0dia	3	Solder Lug	"	-	F296	39	A F Bulgin	Replace by 104-7721
19	631-1427	3	-	Z32	10H	250	6.3	1	20.01g 5.0dia	3	Solder Lug	"	-	F296	39	A F Bulgin	Replace by 104-7721
20	537-2343	2	-	-	-	125	7.0	1	0	3	Solder Lug	"	-	DF826/110	45	A F Bulgin	Indicating Neon; Clear
21	108-2057	3	0624	Z32	10H	NR	7.0	1	00	3	Solder Lug	"	-	L1596	44	Belling & Lee	Replace by 638-7373
22	638-7373	2	0559	Z32	-	NR	7.0	1	00	3	Solder Lug	"	-	L1596B	44	Belling & Lee	
23	634-5661	2	-	-	-	250	7.0	1	20.01g 5.0dia	2	Solder Lug	"	-	412-021	38	R S Compts	
24	620-3558	3	-	Z32	10H	NR	7.0	1	0	2	Solder Lug	"	-	L1348C	46	Belling & Lee	Replace by 059-0100
25	527-6709	3	0619	Z32	10H	NR	7.0	1	0	2	Solder Lug	"	-	L1348C	46	Belling & Lee	Replace by 059-0100
26	012-0231	1	0559	Z32	10H	250	7.0	1	0	2	Thd Stud/Lug	"	Part 1 Sect B	L1382	2	Belling & Lee	

Notes applicable to these tables are on page 4

TABLE B (contd)

FUSE HOLDERS EXTRACTOR POST TYPE
TO HOLD FERRULE TYPE CARTRIDGE FUSE LINKS

I T E M N O	NATO STOCK NUMBER 5920-99-	S S C	SERVICE MNGT CODE OR DOM REF NUMBER			MAX ELECTRICAL RATINGS		FUSE LINK DATA		TERMINAL DATA		BODY MATERIAL	SPECIFICATION	DWG NO OR MFRS REF	F I G	MANUFACTURER	REMARKS
								QTY	BODY SIZE mm OR REF	QTY	TYPE						
			NAVY	ARMY	RAF	VOLTS	AMPS					(h)	(j)	(k)	(l)		
			(a)	(b)	(c)	(d)	(e)	(f)	(g)	(h)	(j)	(k)	(l)	(m)	(n)	(o)	(p)
27	059-0100	2	0559	Z32	10H	250	7.0	1	0	2	Solder Lug	Plastic	RCL 262	L1348C	46	Belling & Lee	
28	102-9148	2	-	Z32	-	250	7.0	1	0	2	Solder Lug	"	-	GW000.59	-	Mullard	
29	113-9802	3	-	Z32	-	250	7.0	1	0	2	Solder Lug	"	-	310849	-	FO Telecoms	Replace by 059-0100
30	115-1967	2	-	-	10H	250	7.0	1	0	3	Solder Lug	"	-	DF/826/250	45	A F Bulgin	Indicating Neon; Red
31	193-2944	2	0675	Z32	10H	250	7.0	1	0	2	Solder Lug	"	-	TB24330/1	-	Marconi Insts	
32	955-0219	2	-	-	10H	250	7.0	1	0	3	Solder Lug	"	-	DF/826/250	45	A F Bulgin	Indicating Neon; Clear
33	105-7031	3	-	-	-	250	7.5	1	25.41g 6.35dia	2	Solder Lug	"	-	SC/A21373	47	CESD	Replace by 711-7960
34	711-7960	2	-	-	-	250	7.5	1	25.41g 6.35dia	3	Solder Lug	"	-	F156	47	A F Bulgin	
35	900-3159	2	-	Z32	5920	250	7.5	1	0	2	Solder Tag	"	-	F155	47	A F Bulgin	
36	633-8042	2	-	-	10H	32	10	1	00	2	Solder Lug	"	-	F298	39	A F Bulgin	
37	195-0421	3	0638 0559	Z32	-	250	10	1	0	2	Thd Stud/Lug	"	Part 1 Sect B	L1382	2	Belling & Lee	Replace by 012-0231
38	533-2247	2	-	-	6C	260	10	1	0	3	Solder Lug	"	-	L1848C/240	48	Belling & Lee	Indicating Neon
39	640-0835	2	-	Z32	-	500	10	1	20.01g 5.0dia	2	Solder Lug	"	-	031-1302	-	Radiatron	
40	620-1959	2	-	-	10H	NR	10	1	0	2	Thd Stud	"	-	5729	-	H S Aviation	
41	630-9992	2	-	Z32	10H	NR	10	1	0	2	Snap On	"	-	L1744A	49	Belling & Lee	
42	638-2288	3	-	-	10AC	NR	10	1	0	2	Thd Stud	"	-	5729	-	H S Aviation	Replace by 620-1959
43	914-0686	2	0624 0559	Z32	-	250	10	1	0	2	Solder Lug	"	-	L1382H	2	Belling & Lee	Test Prod Aperture, Carrier
44	618-3255	2	-	-	10H	250	13	1	25.41g 6.35dia	2	Solder Lug	"	-	F316	49	A F Bulgin	
45	112-7933	3	0559	Z32	10H	250	13	1	0	3	Snap On	"	-	F315	49	A F Bulgin	Replace by 142-4526
46	142-4526	2	0624	Z32	10H	250	13	1	0	3	Snap On	"	-	F315	49	A F Bulgin	
47	111-4194	2	-	-	10H	6	15	1	0	2	Screw	"	-	C1499	53	Page	Indicating Filament; Red
48	624-3504	2	-	-	10H	12	15	1	0	2	Screw	"	-	C1500	53	Page	Indicating Filament; Red
49	901-8055	2	-	Z32	10H	24	15	1	0	2	Screw	"	-	C1501	53	Page	Indicating Filament; Red
50	901-8056	2	-	Z32	10H	150	15	1	0	2	Screw	"	-	C1502	54	Page	Indicating Neon; Amber
51	199-6603	2	-	-	6HS	150	15	1	0	2	Screw	"	-	C1502/A	54	Page	Indicating Neon; Red
52	901-8057	2	-	Z32	10H	250	15	1	0	2	Screw	"	-	C1503	54	Page	Indicating Neon; Amber

Notes applicable to these tables are on page 4

TABLE B (contd)
FUSE HOLDERS EXTRACTOR POST TYPE
TO HOLD FERRULE TYPE CARTRIDGE FUSE LINKS

I T E M NO	NATO STOCK NUMBER 5920-99-	S S C	SERVICE MNGT CODE OR DOM REF NUMBER			MAX ELECTRICAL RATINGS		FUSE LINK DATA		TERMINAL DATA		BODY MATERIAL	SPECIFICATION	DWG NO OR MFRS REF	F I G	MANUFACTURER	REMARKS
			NAVY	ARMY	RAF	VOLTS	AMPS	QTY	BODY SIZE mm OR REF	QTY	TYPE						
			(a)	(b)	(c)	(d)	(e)	(f)	(g)	(h)	(i)						
53	940-1597	2	0559	Z32	-	250	15	1	22.231g 9.19dia	2	Solder Lug	Plastic	-	116-001	-	AEI	
54	628-1644	2	-	-	-	NR	15	1	0	3	Screw/Tab	"	-	C1475/B1	55	Page	Indicating Neon; Green
55	634-2427	2	-	-	-	NR	15	1	0	3	Screw/Tab	"	-	C1475/C1	55	Page	Indicating Neon; Amber
56	646-0878	2	-	-	-	NR	15	1	0	4	Snap On	"	BS 415	L2004	50	Belling & Lee	
57	646-1914	3	-	-	10H	NR	15	1	0	2	Solder Lug	"	-	L1348C	46	Belling & Lee	Replace by 059-0100
58	012-8450	1	587025	Z32	-	250	15	1	0	2	Screw	"	Part 1 Sect B	-	3	-	
59	199-6604	2	-	-	6HS	250	15	1	0	2	Screw	"	-	C1503/A	54	Page	Indicating Neon; Red
60	538-2035	2	-	-	-	250	15	1	0	2	Solder Lug	"	-	HKP	-	Kempston Elect	
61	639-2920	2	-	-	-	250	15	1	0	2	Solder Lug	"	-	42400761-001	-	Honeywell	
62	940-1598	2	0559	Z32	10H	250	15	1	31.751g 9.7dia	2	Solder Lug	Ceramic	-	NAT 2	-	Vactite Wire Co	
63	105-3946	3	-	Z32	-	250	15	1	1	2	Thd Stud	Plastic	-	LFV/EN/32878	-	LFV VM6	Replace by 911- 4016
64	911-4016	2	310	Z32	10H	250	15	1	1	2	Thd Stud	"	-	L1303	51	Belling & Lee	Fitted with Std Carrier
65	101-1657	2	861626	-	10H	500	15	1	0	2	Screw	"	-	C1475/D/4	-	Page	Indicating Neon; Clear
66	901-8059	2	-	Z32	10H	500	15	1	0	2	Screw	"	-	C1504	54	Page	Indicating Neon; Amber
67	103-6348	2	-	Z32	10H	500	15	1	0	2	Screw	"	-	C1475/C/4	55	Page	Indicating Neon; Amber
68	618-1958	2	-	-	10H	500	15	1	0	2	Screw	"	-	C1475/D/4	55	Page	Indicating Neon; Clear
69	622-5717	2	-	-	10H	500	15	1	0	3	Solder Lug/Screw	"	-	C1475/A/4	55	Page	Indicating Neon; Red
70	618-1939	2	-	-	10H	500	15	1	0	2	Screw	"	-	C1480	56	Page	
71	628-1802	2	-	-	10H	500	15	1	0	2	Screw	"	-	C1504A	54	Page	Indicating Neon; Red
72	954-5887	2	-	-	10H	500	15	1	0	2	Screw	"	-	C1481	57	Page	
73	932-1236	3	0559	Z32	10H	620	15	1	1	2	Thd Stud	"	-	L1302	51	Belling & Lee	Replace by 533-6884
74	533-6884	2	0559	-	-	620	15	1	1	2	Thd Stud	"	-	L130A	51	Belling & Lee	Fitted with Large Carrier
75	971-3818	2	0564 0638	Z32	10H	620	30	1	2	2	Thd Stud	"	-	L1304	52	Belling & Lee	Fitted with Large Carrier

Notes applicable to these tables are on page 4

TABLE C
FUSE HOLDERS IN LINE AND PRINTED CIRCUIT TYPE

I T E M NO	NATO STOCK NUMBER 5920-99-	S S C (b)	SERVICE MNGT CODE OR DOM REF NUMBER			MAX ELECTRICAL RATING		FUSE LINK DATA		DESCRIPTION		BODY MATERIAL	TYPE	DWG NO OR MFRS REF	F I G	MANUFACTURER	REMARKS
			NAVY	ARMY	RAF	VOLTS	AMPS	QTY	BODY SIZE mm OR REF	QTY	DATA						
											TYPE						
			(c)	(d)	(e)	(f)	(g)	(h)	(i)	(k)	(l)						
1	193-6528	2	0559	Z32	10H	250	2	1	20.01g 5.0dia	2	Solder Tag	SRBP	Printed cct	L1426	33	Belling & Lee	
2	947-3075	2	0559	Z32	10H	500	2	1	00	2	Solder Tag	SRBP	Printed cct	L1383	33	Belling & Lee	
3	630-5114	2	-	Z32	10H	250	5	1	20.01g 5.0dia	3	Solder Tag	Plastic	Printed cct	F330	34	A F Bulgin	
4	113-4662	2	-	Z32	10H	250	6.3	1	20.01g 5.0dia	2	Solder Lug	"	"	F267PC	35	A F Bulgin	
5	117-6910	2	-	Z32	-	NS	7	1	00	2	Solder Tag	"	"	IT/A202518	-	EQD	
6	194-8155	2	-	-	10H	250	7	1	0	2	Screw	"	In Line	F180	36	A F Bulgin	
7	223-8030	2	-	-	-	250	7.5	1	0	2	Solder Tag	SRBP	Printed cct	F27/PC	37	A F Bulgin	
8	444-4744	2	0559	-	-	NR	NR	1	Fusewire	2	Ferrule	A/A	In Line	SEE174E	-	MOD(N)	

Notes applicable to these tables are on page 4

TABLE D
CARRIERS CARTRIDGE FUSE LINK
AND CARRIERS WIRE FUSE ELEMENT

I T E M N O	NATO STOCK NUMBER 5920-99-	S S C	SERVICE MNGT CODE OR DOM REF NUMBER			TYPE OF FUSE HOLDER	DESCRIPTION								CROSS REFERENCE TO ASSOCIATED ITEMS			REMARKS
			NAVY	ARMY	RAF		MAX ELECTRICAL RATINGS		QTY	BODY SIZE mm OR REF	TYPE	SPECIFICATION	MFRS REF OR DRAWING	F I G	NAME	TABLE	ITEM NO	
							VOLTS	AMPS										
							(g)	(h)										
1	914-3439	2	-	-	-	Block	250	NR	1	0	Ferrule	Post Office	136B	-	FH	A4	2	
2	714-1410	2	-	-	-	Block	440	NR	1	72.01g 17.0dia	Lug	-	WIS6921C	-	-	-	-	
3	634-4600	2	-	Z32	5920	Extractor Post	NR	NR	1	6.3dia	Ferrule	-	SC/A29294	-	-	-	-	
4	059-0171	2	0559	Z32	10H	Extractor Post	250	2.5	1	00	Ferrule	-	L575/L	38	FH	B	3	
5	953-43611	2	-	-	-	Block	500	5.0	1	Rewirable	-	-	HSFH	23	FH	A3	10; 11	
6	112-5115	2	-	-	-	Extractor Post	250	6.3	1	20.01g 5.0dia	Ferrule	-	SA2348	39	FH	B	14	
7	012-0232	1	0559	Z32	10H	Extractor Post	250	7	1	0	Ferrule	Part 1 Sect B	L1382L	2	FH	B	26	
8	223-1105	2	-	-	-	Extractor Post	250	15	1	0	Ferrule	-	3338A954	-	-	-	-	
9	999-2075	2	-	Z32	10H	Extractor Post	250	15	1	1	Ferrule	-	L1303/L	51	FH	B	73	
10	638-9750	3	-	Z32	-	Extractor Post	440	15	1	1	Ferrule	-	B53976	51	FH	B	73	Replace by 999-2075
11	923-6035	2	0559	-	-	Extractor Post	440	15	1	30.01g 14.2dia	Ferrule	DEE C40383	B31757	14	Base	E	6	
			0856	-	-	-	-	-	-	-	-	-	-	-	(Base	E	2	
12	533-6883	2	0856	-	-	Extractor Post	620	15	1	1	Ferrule	-	L1302A/L	51	(FH	B	73	
13	526-5099	3	K276	-	-	Block	660	20	1	A1	Lug	BS88	RS20	17	FH	A1	11 to 14	Replace by 618-5317
14	544-1728	3	-	-	-	Block	660	20	1	A1	Lug	BS88	RS20	17	FH	A1	11 to 14	Replace by 618-5317
15	618-5317	1	-	-	-	Block	660	20	1	A1	Lug	BS88	RS20	17	FH	A1	11 to 14	
16	999-2076	2	-	Z32	10H	Extractor Post	250	30	1	2	Ferrule	-	L1305/L	52	Base	E	17	
17	923-7283	2	0559	-	-	Block	440	30	1	A2	Lug	S5626SH265	SV30	16	Base	E	15	
			0856	-	-	-	-	-	-	-	-	-	-	-	-	-	-	
18	940-2109	2	0559	Z32	10H	Block	440	30	1	Rewirable	-	-	G30FH	24	FH	A3	33	
19	012-1719	2	0559	Z32	10H	Block	440	30	1	1	Lug	Part 1 Sect B	-	6	FH	A1	19	
20	107-6000	2	-	-	-	Block	440	32	1	A2	Lug	-	3SCH	-	Base	E	19	
21	106-9195	3	-	-	-	Block	440	32	1	A2	Lug	-	3SCH	-	Base	E	19	
22	525-8316	2	-	Z32	-	Block	500	32	1	Rewirable	-	BS3036	30MRH	59	Base	E	19	Replace by 107-6000
23	953-9743	1	K276	-	-	Block	660	32	1	A2	Lug	BS88	RS32	18	FH	A1	24 to 27	
24	520-7549	2	-	Z32	-	Block	250	60	1	Rewirable	-	-	X60FH	22	FH	A3	34; 35	
25	451-2328	2	-	Z32	-	Block	440	60	1	Rewirable	-	-	G60FH	24	-	-	-	
26	012-4882	2	0559	Z32	10H	Block	440	60	1	2	Lug	Part 1 Sect B	-	7	FH	A1	31	
27	106-9192	2	-	-	-	Block	440	63	1	A2; A3	Lug	-	-	-	Base	E	22	
28	450-8970	2	-	-	-	Block	440	100	1	Rewirable	-	-	6SCH	24	-	-	-	
29	532-3671	1	K276	-	-	Block	660	100	1	A4	Lug	BS88	RS100	18	FH	A1	46; 47	
30	528-2152	1	K276	-	-	Block	660	200	1	B1; B2	Lug	BS88	RS200	19	FH	A1	52	
31	012-1721	2	0559	Z32	10H	Block	440	200	1	3	Lug	Part 1 Sect B	-	8	FH	A1	51	
32	531-5425	2	-	-	-	Block	440	300	1	5	Lug	-	007504535/ 03	11	-	-	-	
33	444-4996	2	0559	-	-	Block	440	500	1	6	Lug	-	SDN007-504- 566	12	-	-	-	See note 6
34	444-4997	2	0559	-	-	Block	440	600	1	7	Lug	-	SDN007-504- 583	13	-	-	-	See note 6

Notes applicable to these tables are on page 4

TABLE E
BASES, ELECTRICAL FUSE

I T E M NO	NATO STOCK NUMBER 5920-99-	S C C	SERVICE MNGT CODE OR DOM REF NUMBER			TYPE OF FUSE HOLDER (f)	MAX ELECTRICAL RATINGS		DESCRIPTION					CROSS REFERENCE TO ASSOCIATED ITEMS			MANUFACTURER (r)	REMARKS (s)
			NAVY	ARMY	RAF		VOLTS	AMPS	FUSE LINK DATA		SPECIFICATION	DRG OR MFRS REF	F I G	NAME	TABLE	ITEM NO		
									QTY	BODY SIZE mm OR REF								
			(a)	(b)	(c)		(d)	(e)	(g)	(h)	(j)	(k)	(l)	(m)	(n)	(o)		
1	101-2310	1	-	-	-	Extractor Post	250	7	1	00	RCL 262	6C/A10076	1	Fuse-Holder	B	4	EMI Electronics	
2	643-6112	2	-	Z32	-	Extractor Post	NR	15	1	1	-	B27133	51	Fuse-Holder	B	73	BAC GW Divn	
3	012-0597	1	0559	-	10H	Extractor Post	250	15	1	0	Part 1 Sect B	DEE 62898	9	Carrier	D	9; 12	Eleco	
4	972-1455	2	0559	-	10H	Block	250	15	1	1 (LUG)	-	48488	-	Fuse-Holder	A1	2	ASWE	
5	527-7912	2	0559	-	-	Block	440	15	1	0	-	D541821/2	-	-	-	-	AISH	
6	923-6036	2	0559	-	-	Extractor Post	440	15	1	33.01g 14.2dia	DEE C40383	D31663	14	Carrier	D	11	AISH	
7	951-2443	2	0559	Z32	-	Block	440	15	1	0	DEE D81042	AP200357	10	-	-	-	AISH	
8	915-1832	2	-	-	-	Block	500	15	1	Rewirable	-	4731B	-	-	-	-	Simplex Electric	
9	203-8447	2	-	Z32	-	Block	500	15	2	Rewirable	-	2/4731A	-	-	-	-	"	
10	113-7332	2	-	-	10H	Block	500	20	1	Rewirable/A1	-	15MBB	59	-	-	-	MEM	
11	103-2256	2	-	Z32	-	Block	500	20	3	Rewirable	BS 861	315KX/EB	-	-	-	-	MEM	
12	106-7657	2	-	-	-	Block	500	20	1	Rewirable/A1	-	15MBA	59	-	-	-	MEM	
13	451-7608	2	-	Z32	-	Block	NR	30	1	Rewirable	-	44060	-	-	-	-	EID	
14	012-1718	2	0559	Z32	10H	Block	440	30	1	1 and 2 (LUG)	Part 1 Sect B	AL43740	6	-	-	-	McGeoch	
15	923-7284	2	0559	-	-	Block	440	30	1	A2	S5626SH266	SV30P	16	Carrier	D	17	GEC	
16	923-7285	2	0559	-	-	Block	440	30	1	A2	S5626SH264	SV30B	15	Carrier	D	17	GEC	
17	999-2074	2	0559	Z32	10H	Extractor Post	440	30	1	2	-	L1304/B	52	Carrier	D	16	Belling & Lee	
18	915-1833	2	-	-	-	Block	660	30	1	A2	-	47338	-	-	-	-	Simplex Electric	
19	106-9194	2	-	Z32	10H	Block	500	32	1	Rewirable/A2	-	30MBB	59	Carrier	D	20	MEM	
20	012-4881	2	0559	Z32	10H	Block	440	60	1	1; 2 (LUG)	Part 1 Sect B	A143743	7	-	-	-	SBAC	
21	915-1830	2	-	-	-	Block	660	60	1	A3	-	4715R	-	-	-	-	Simplex	
22	106-9193	2	-	-	-	Block	440	63	1	Rewirable/A2,A3	-	60MBB	59	Carrier	D	27	MEM	
23	923-8199	1	0559	-	4FE	Block	660	63	1	A2, A3	BS 88	RS63P	18C	Fuse-Holder	A1	37	GEC	
24	915-1831	2	-	-	-	Block	660	100	1	Rewirable/A4	-	4717R	-	-	-	-	Simplex	
25	012-1720	2	0559	Z32	10H	Block	440	200	1	3(LUG)	Part 1 Sect B	B143746	8	-	-	-	SBAC	

Notes applicable to these tables are on page 4

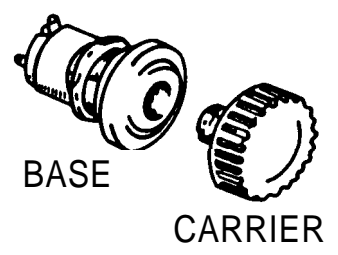


FIG. 1

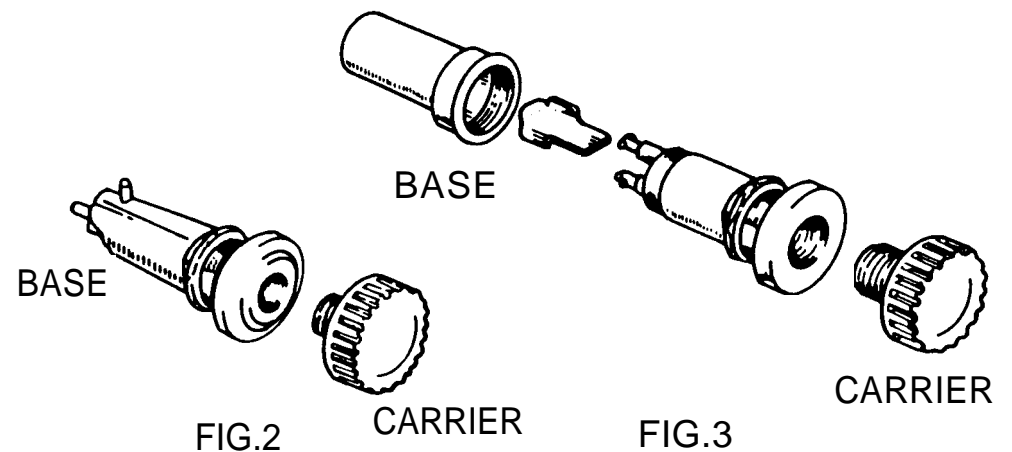


FIG. 2

FIG. 3

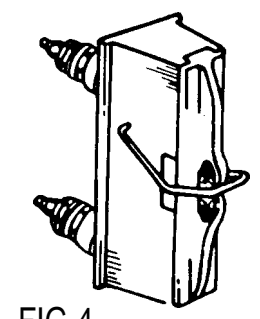


FIG. 4

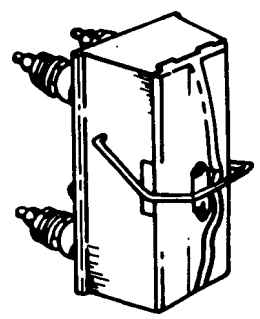


FIG. 5

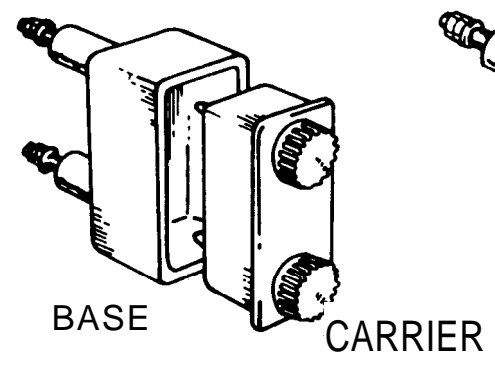


FIG. 6

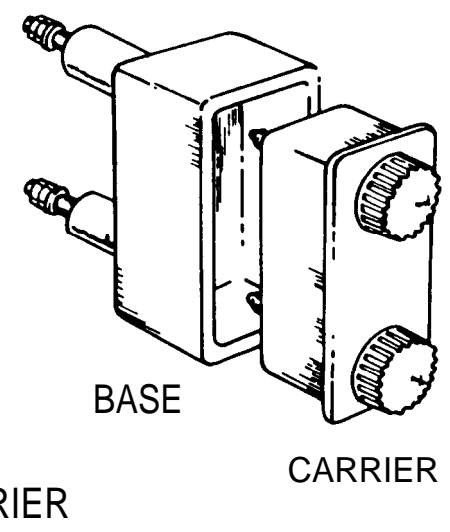


FIG. 7

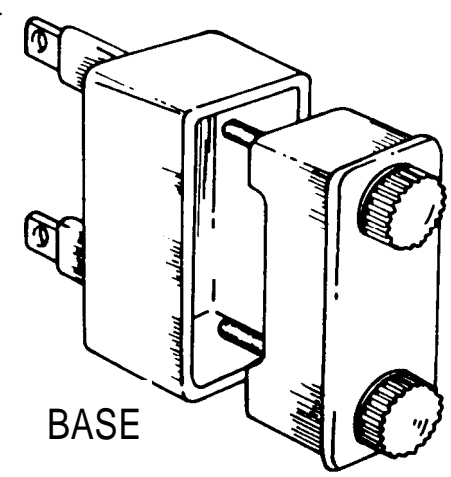
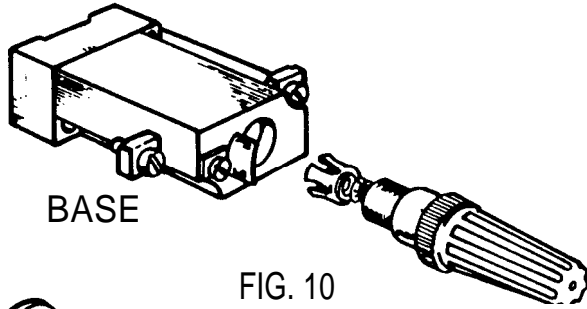


FIG. 8

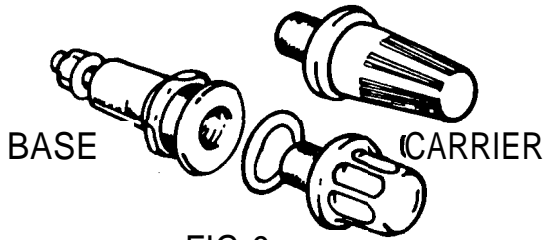
CARRIER



BASE

FIG. 10

CARRIER

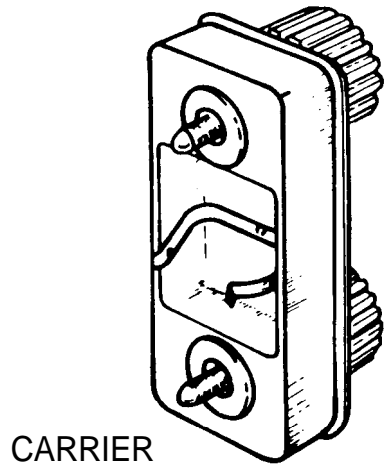


BASE

CARRIER

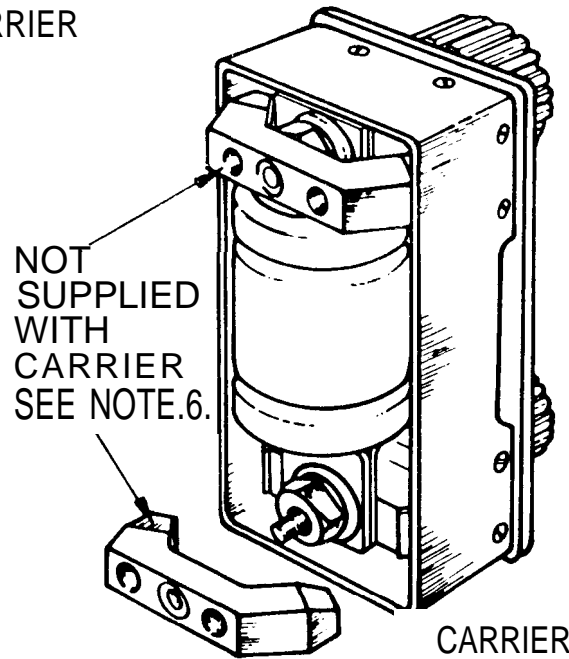
FIG. 9

21



CARRIER

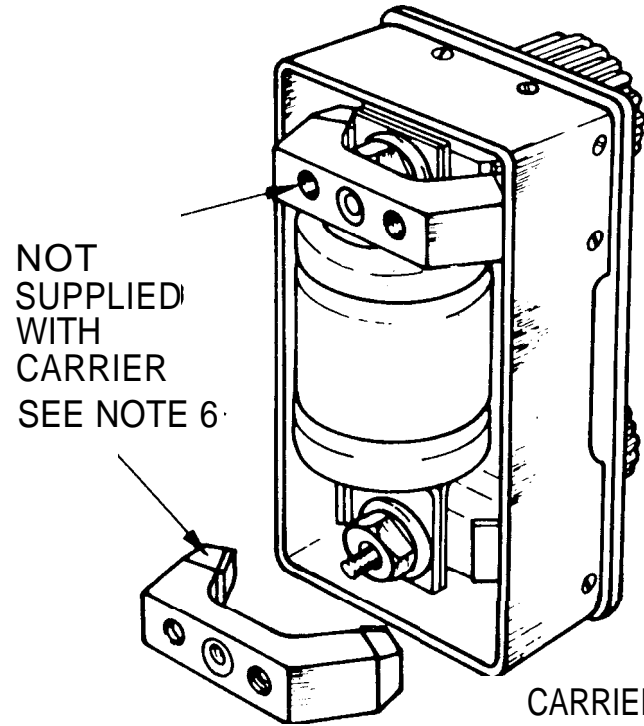
FIG. 11



NOT
SUPPLIED
WITH
CARRIER
SEE NOTE.6.

CARRIER

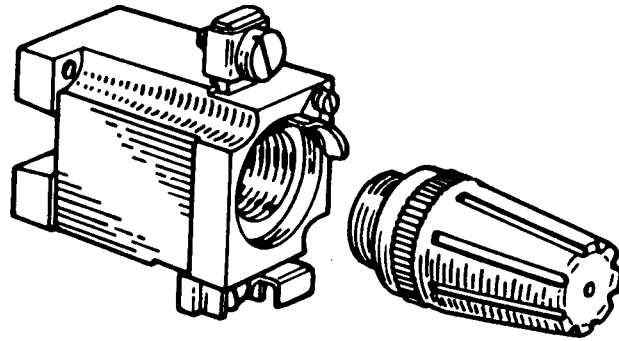
FIG. 12



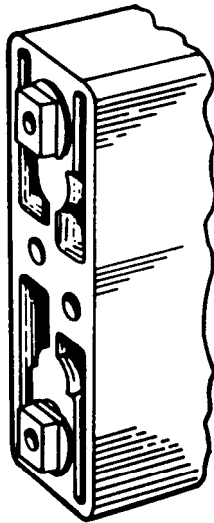
NOT
SUPPLIED
WITH
CARRIER
SEE NOTE 6.

CARRIER

FIG. 13

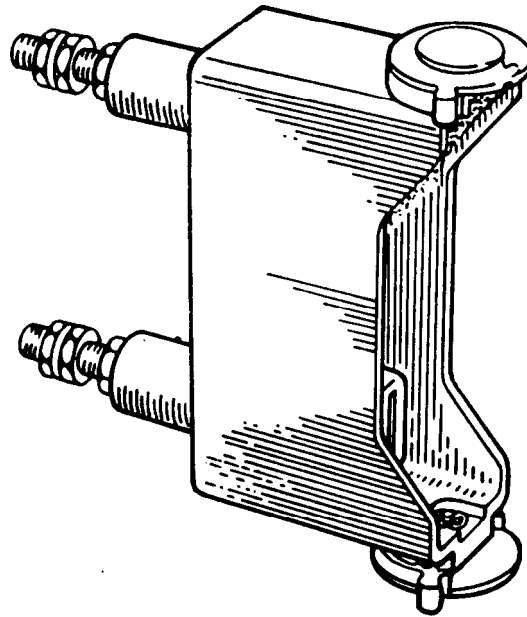


BASE FIG.14. CARRIER



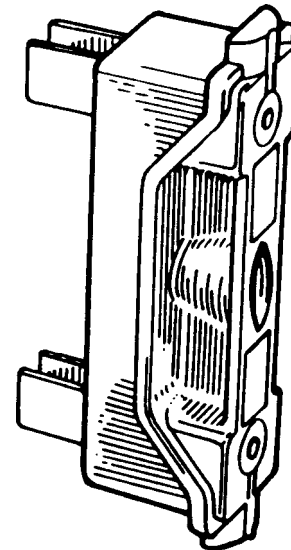
BASE BUS BAR MOUNTED

FIG.15.



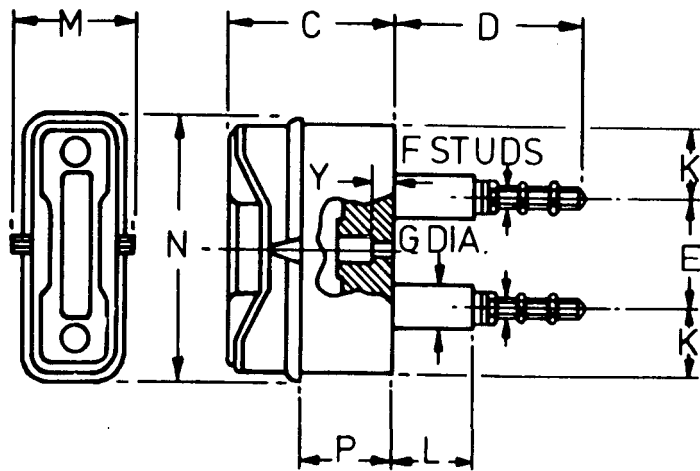
BASE BACK CONNECTED

FIG.16.

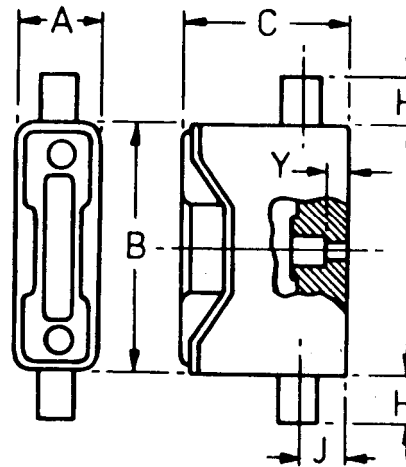


CARRIER

BACK CONNECTED-FLUSH



FRONT CONNECTED

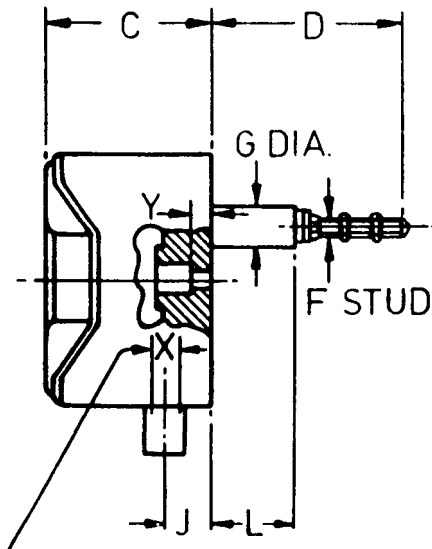


TERMINALS ACCOMMODATE
CABLES UP TO 10sq. mm.

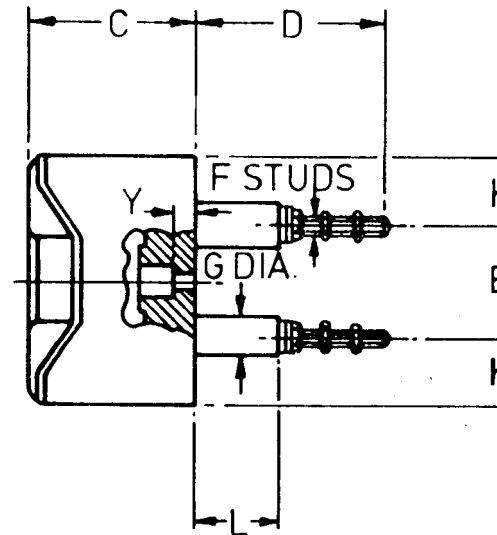
FIG.17A.

FIG.17B.

FRONT/BACK CONNECTED



BACK CONNECTED-SURFACE



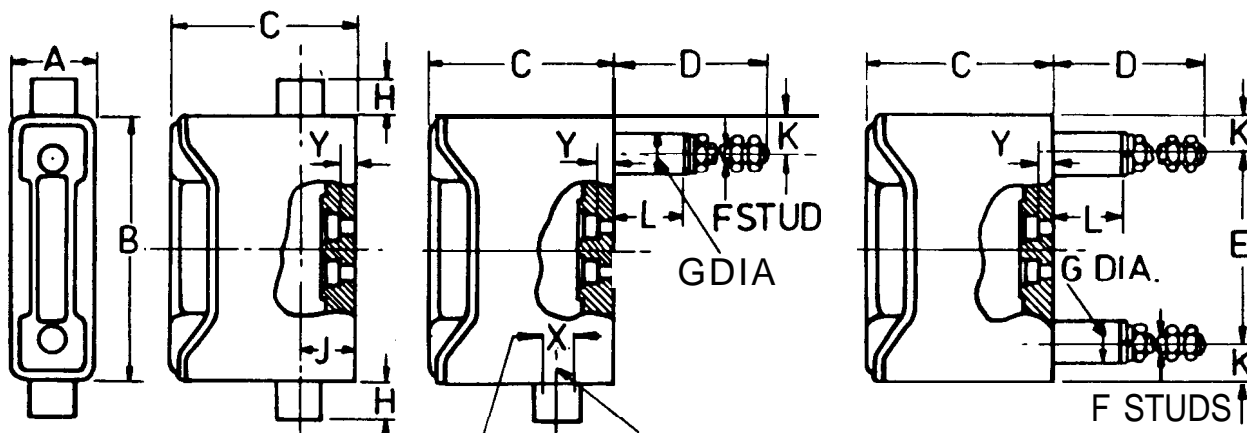
DIAMETER
OF CABLE
HOLE IN
BASE CONTACT.

FIG. 17C.

FIG. 17D.

	A	B	C	D	E	F	G	H	J	K	L	M	N	P	X	Y
mm	27.0	79.4	54.0	62.7	34.9	M6	13.5	15.1	15.9	22.2	28.6	38.1	83.3	30.2	5.8	5.56

FRONT CONNECTION FRONT/BACK CONNECTED BACK CONNECTED



TERMINALS ACCOMMODATE CABLES UP TO:-

DIAMETER OF CABLE
HOLE IN BASE CONTACT

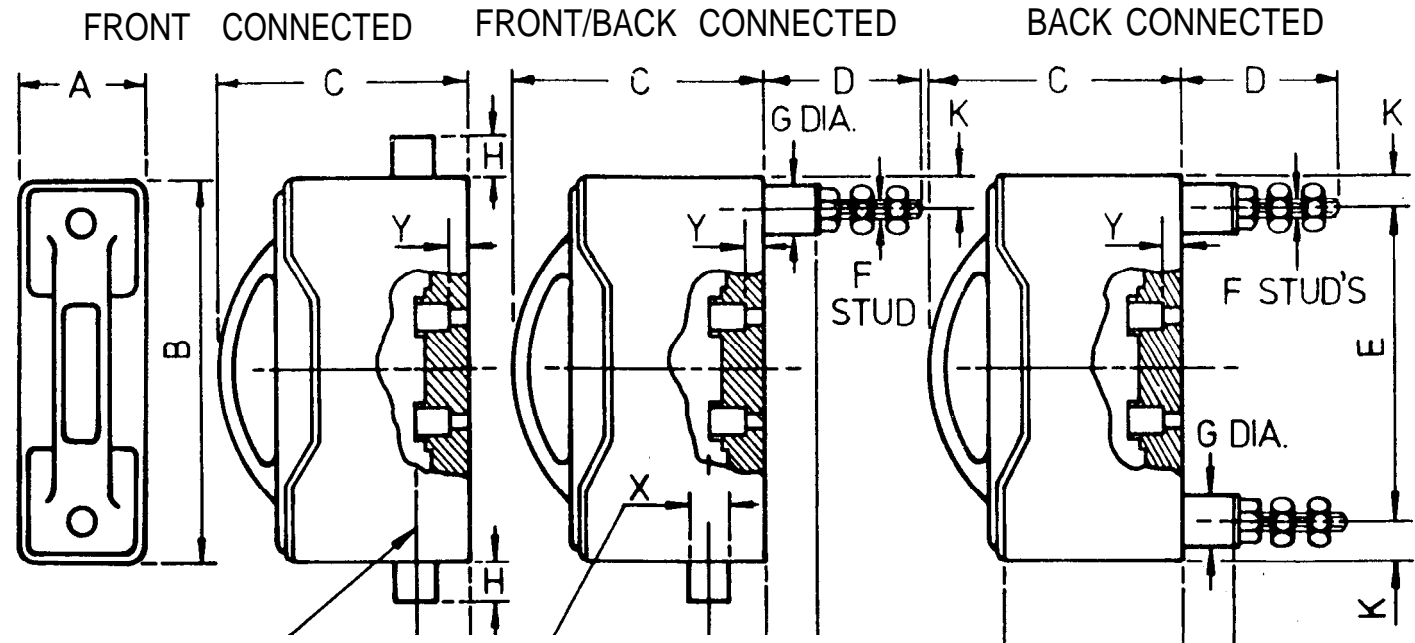
16 sq. mm. 32 amp.
50sq.mm. 63 amp.
70sq.mm 100 amp.

FIG 18 A

FIG 18 B

FIG 18 C

RATING Amp		A	B	C	D	E	F	G	H	J	K	L	X	Y
32	mm	31.8	103.2	69.9	81.0	73.0	M6	17.5	15.1	22.2	15.1	28.6	6.2	5.56
63	mm	34.9	109.5	75.4	84.1	77.8	M8	17.5	15.1	23.8	15.9	28.6	9.5	5.56
100	mm	50.8	139.7	100.0	87.3	93.7	M10	22.2	15.1	27.8	23.0	31.8	12.7	7.15



TERMINALS ACCOMMODATE
CABLES UP TO 120sq. mm.

DIAMETER
OF CABLE HOLE
IN BASE CONTACT

FIG 19A

FIG 19B

FIG 19C

	A	B	C	D	E	F	G	H	J	K	L	M	X	Y
mm	69.9	215.9	136.5	95.3	171.5	M12	25.4	22.2	31.8	22.2	31.8	100.0	16.3	9.53

96

FRONT CONNECTED

FRONT/BACK CONNECTED

BACK CONNECTED

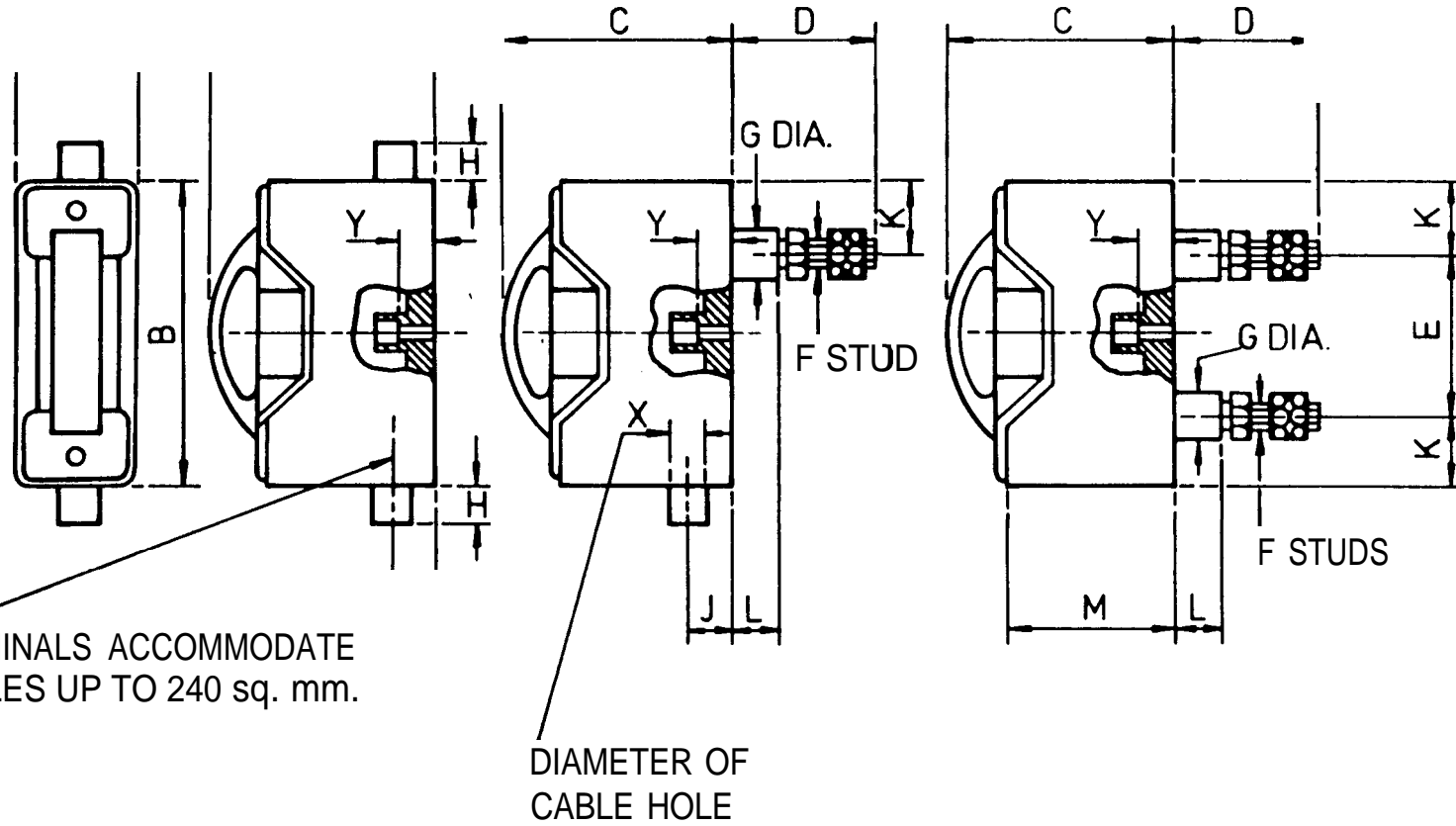


FIG 20 A

FIG 20 B

FIG 20 C

	A	B	C	D	E	F	G	H	J	K	L	M	X	Y
mm	98.4	254.0	192.1	114.3	139.7	M16	31.8	31.8	36.5	57.2	38.1	150.8	20.6	31.8

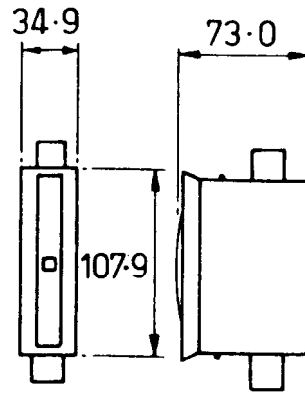


FIG.21.

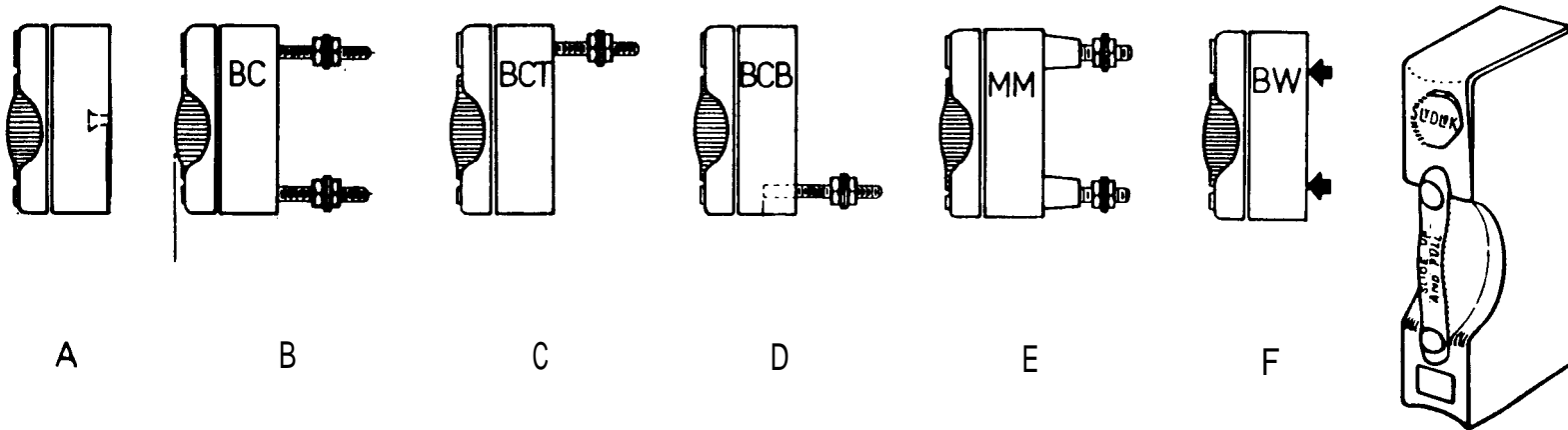
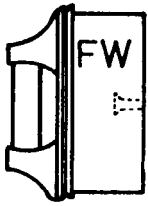
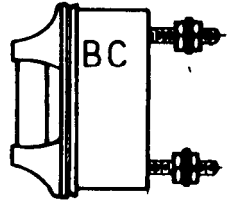


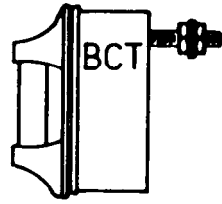
FIG. 22.



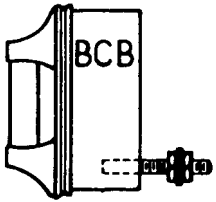
A



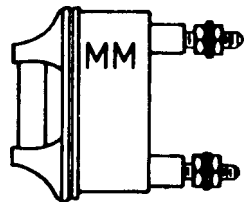
B



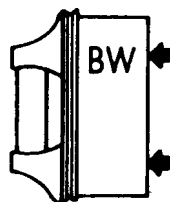
C



D



E



F

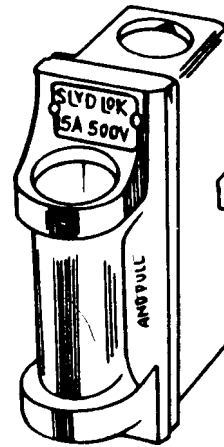


FIG. 23.

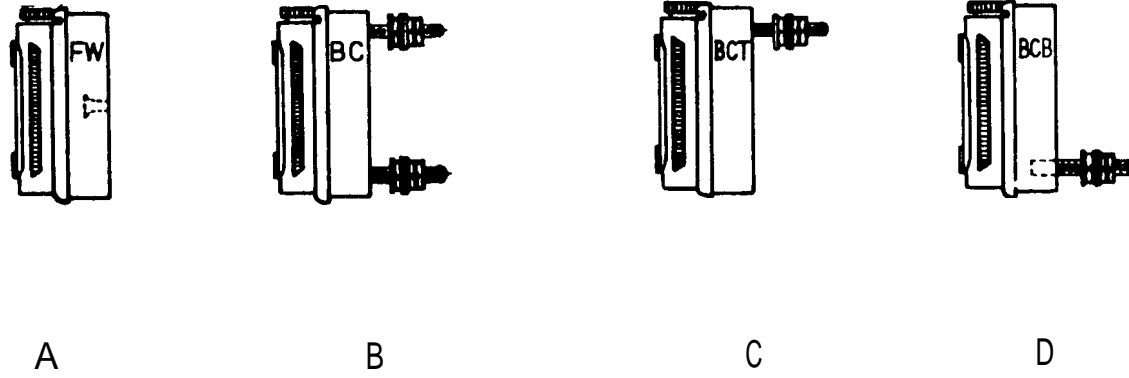


FIG. 24.

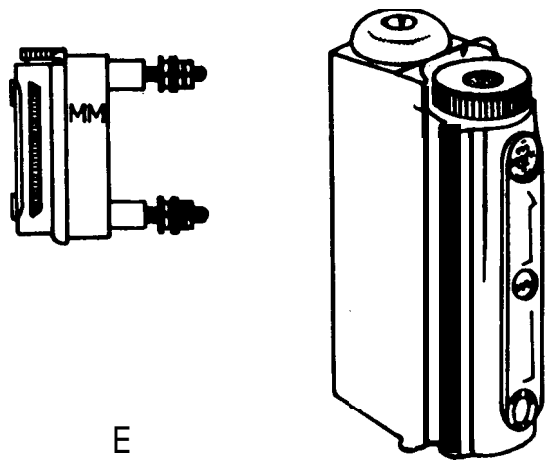


FIG. 24.

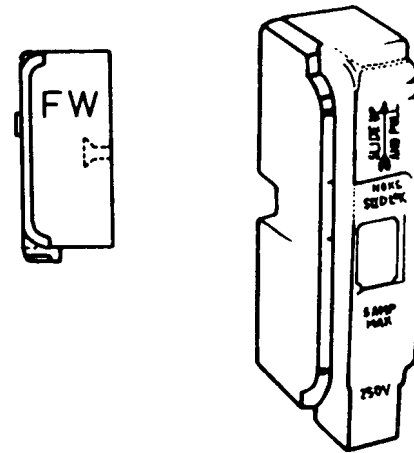


FIG. 25.

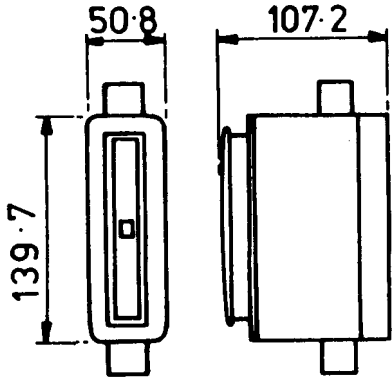


FIG 26

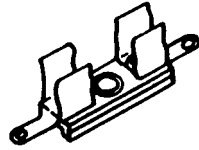


FIG 27

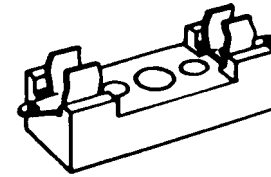


FIG 28

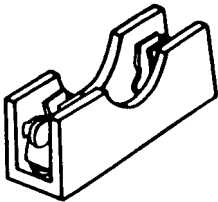


FIG 29

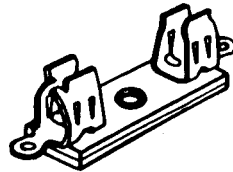


FIG 30

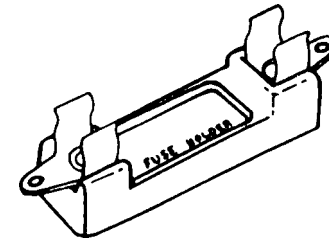


FIG 31

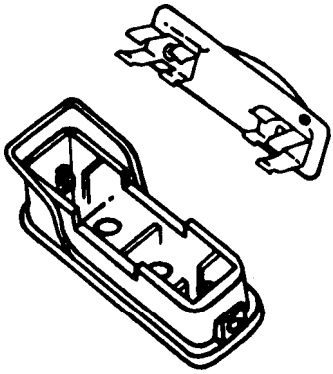


FIG 32

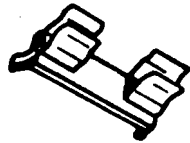


FIG 33

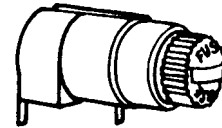


FIG 34

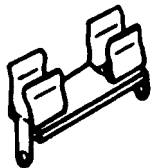


FIG 35



FIG 36

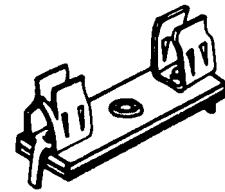


FIG 37

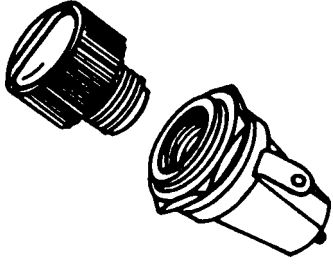


FIG 38

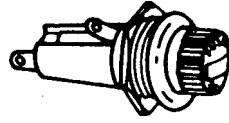


FIG 39

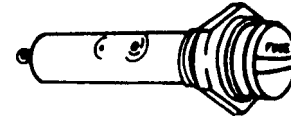


FIG 40

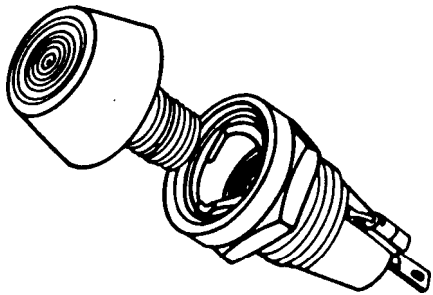


FIG 41

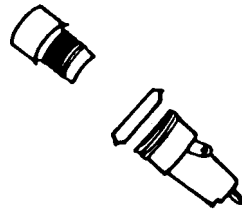


FIG 42

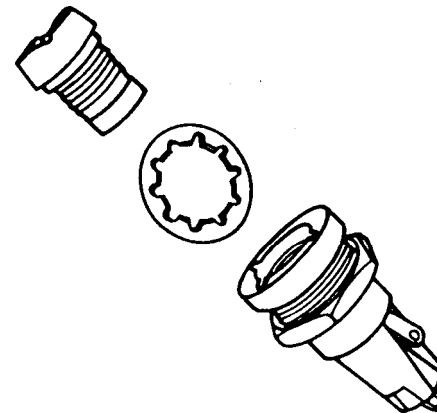


FIG 43

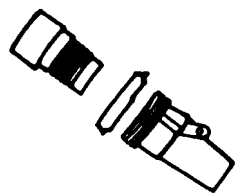


FIG 44

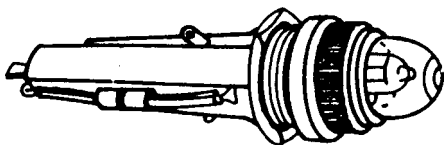


FIG 45

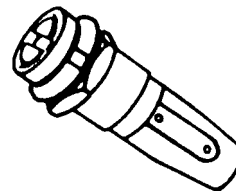


FIG 46

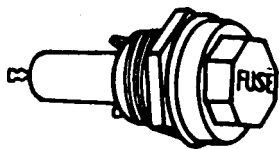


FIG 47

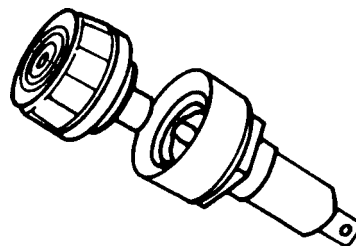


FIG 48

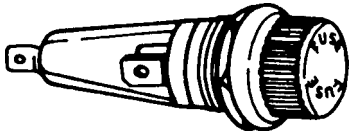


FIG. 49

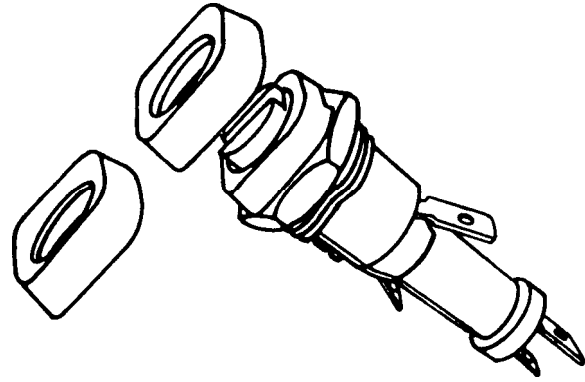


FIG. 50

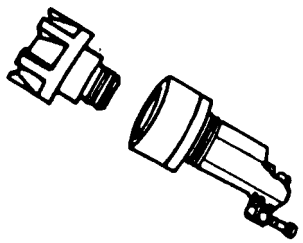


FIG. 51

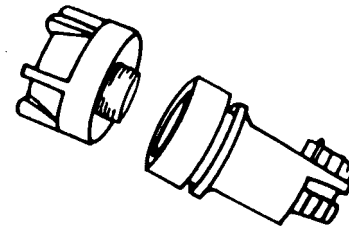


FIG. 52

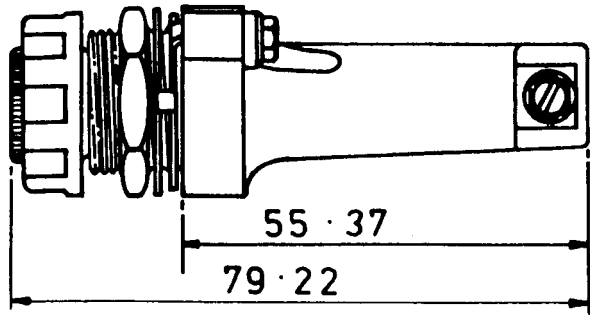


FIG. 53

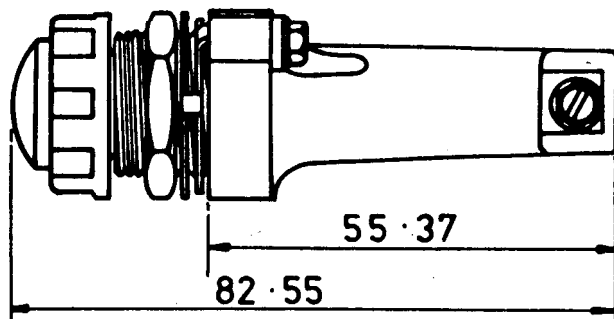
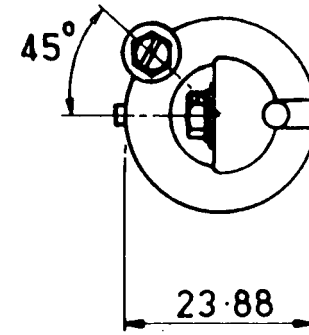
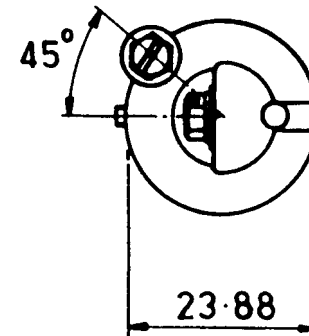


FIG 54



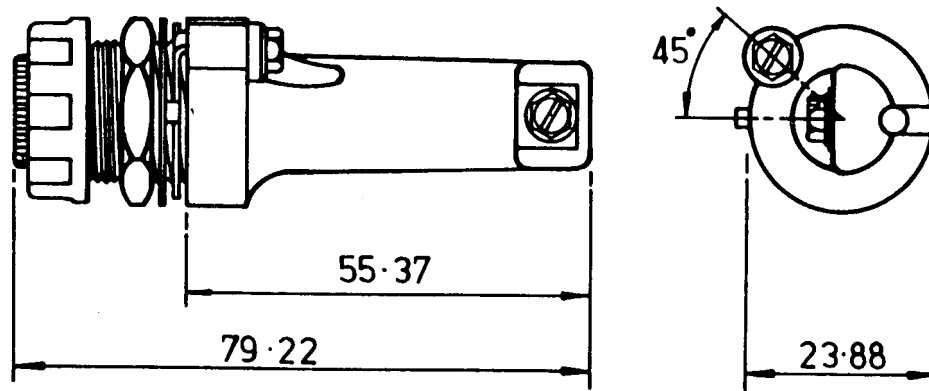


FIG. 55.

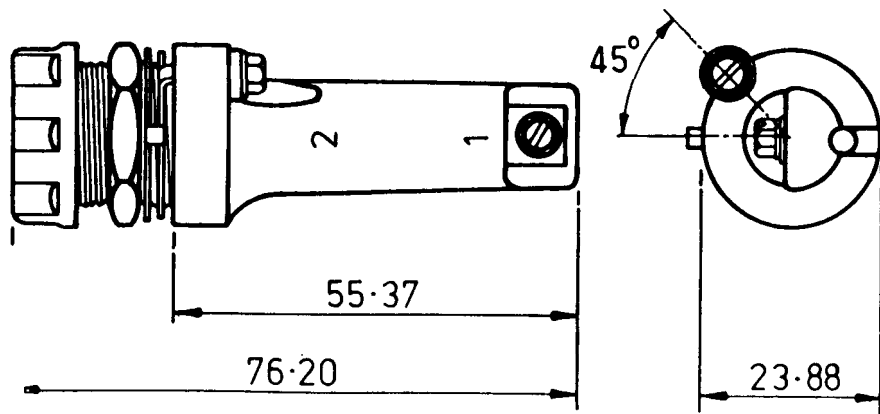


FIG. 56.

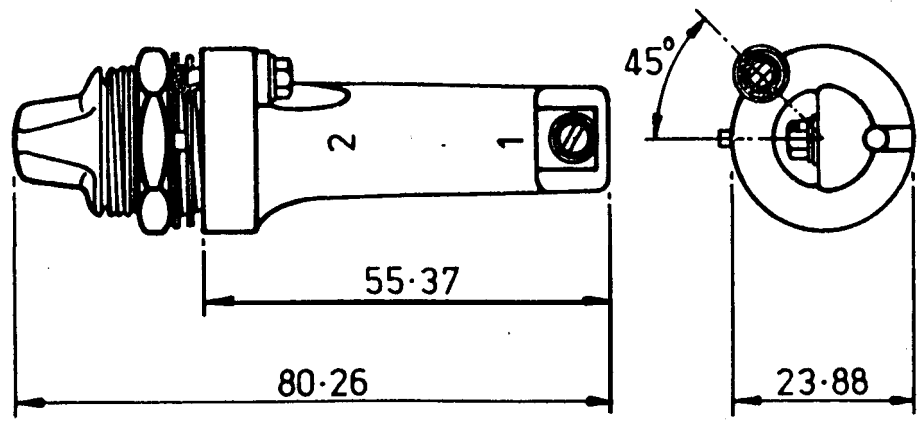


FIG. 57.

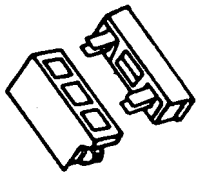


FIG. 58.

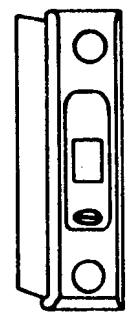
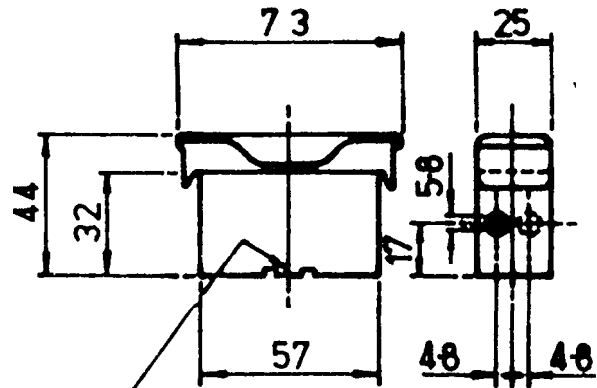
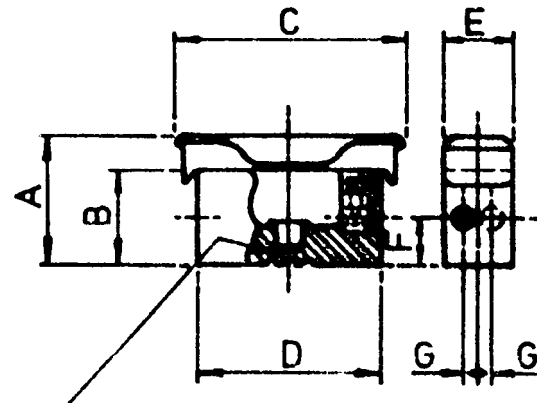


FIG. 59.



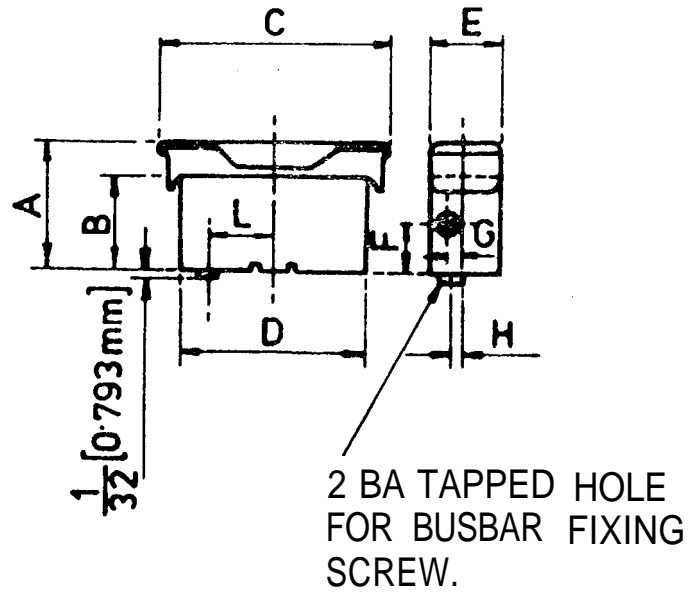
4.8 DIA.
FIXING HOLE

FIG. 60.

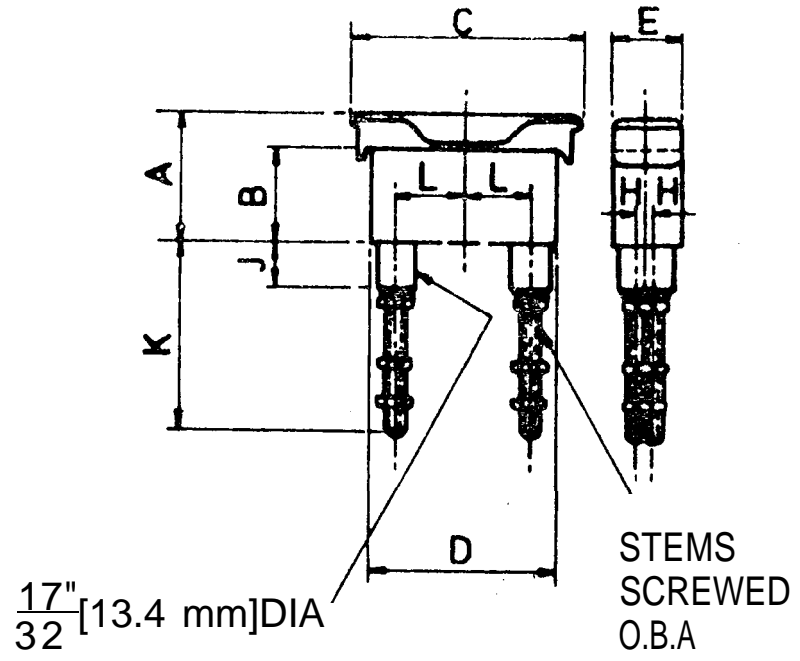


ONE $\frac{3}{16}$ " [4.8mm] DIA.
FIXING HOLE

FRONT CONNECTED
FIG. 61A.

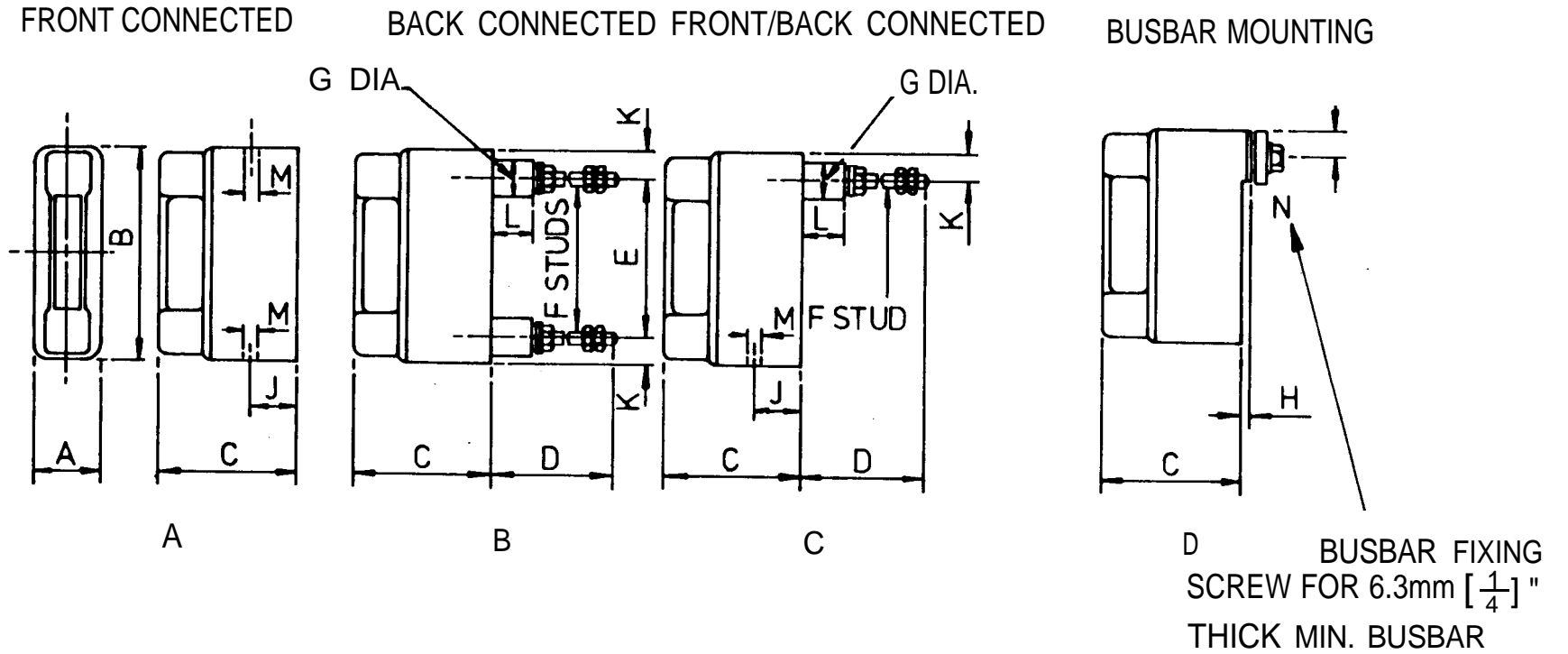


BUSBAR MOUNTING
FIG. 61 B



BACK CONNECTED
FIG. 61 C

	A	B	C	D	E	F	G	H	J	K	L
mm	44	32	82,5	67	25	16,5	5	3	16	65	24



RATING AMP		A	B	C	D	E	F	G	H	J	K	L	M	N
32	mm	31.8	98.4	65.1	81	73	M6	17.5	4.8	21.4	12.7	28.6	6.3	M6 x 16 mm
63	mm	34.9	105	70.7	84.1	77.8	M8	17.5	4.8	22.2	13.5	28.6	7.9	M6 x 16 mm
100	mm	47.6	130	92.1	87.3	93.7	M10	22.2	4.8	29.4	18.3	39.7	11.9	M10 x 18 mm

FIG. 62.

INDEX TO NATO STOCK NUMBERS

NATO STOCK NO 5920-99-	PAGE	NATO STOCK NO 5920-99-	PAGE	NATO STOCK NO 5920-99-	PAGE	NATO STOCK NO 5920-99-	PAGE	NATO STOCK NO 5920-99-	PAGE
012-0231	14	106-7657	19	117-1543	10	408-8556	8	527-6709	14
012-0232	18	106-9192	18	117-4006	10			527-7912	19
012-0597	19	106-9193	19	117-6910	17	419-4888	8		
012-1718	19	106-9194	19						
012-1719	18	106-9195	18	119-1680	8	421-6045	10	528-2151	6
012-1720	19			119-8494	5			528-2152	18
012-1721	18	107-6000	18			437-5467	12		
012-4881	19			142-2732	6			531-5425	18
012-4882	18	108-2057	14	142-2733	5	444-4744	17		
012-8450	16	108-3043	13	142-2734	8	444-4761	8	532-3671	18
		108-3527	5	142-4526	15	444-4996	18		
		108-3528	6	142-6622	14	444-4997	18		
059-0100	15					444-5173	11	533-2247	15
059-0170	14	109-4112	6	193-2944	15			533-3961	10
059-0171	18			193-6528	17	450-8970	18	533-6883	18
059-1061	14	110-2771	8			450-9012	9	533-6884	16
		110-3504	8	194-8155	17	450-9013	9		
100-5461	10	110-3505	8						
		110-3506	9	195-0421	15	451-2328	18	534-0216	5
101-1657	16					451-2719	8	534-8857	12
101-2310	19			198-4959	13	451-2720	8		
		111-4194	15	198-5153	8	451-2721	9		
102-1449	6	111-6523	14			451-7608	19	537-2343	14
102-9148	15								
103-2256	19			199-6603	15	452-3381	8	538-2035	16
103-6347	9	112-5047	10	199-6604	16	452-3382	8	538-9664	5
103-6348	16	112-5115	18	199-7518	12				
103-6349	8	112-6181	14			466-3733	8		
		112-7933	15	203-8447	19	466-3734	8	544-1727	5
104-4515	10							544-1728	18
104-6976	12					468-3099	13	544-2432	12
104-7721	14	113-1266	10	222-1361	14				
		113-2496	11	222-1406	5				
105-0325	8	113-4662	17	222-1541	7	520-0660	9	548-1820	8
105-3946	16	113-7332	19	222-1549	7	520-7543	8		
105-7031	15	113-9802	15	222-1550	7	520-7549	18	580-1725	8
105-7240	9			222-6357	14				
105-9681	7	114-6568	10			522-4471	11	618-1939	16
105-9686	7							618-1958	16
				223-1105	18	525-8316	18	618-2498	5
		115-1967	15	223-4262	12			618-3255	15
106-0938	13	115-9536	7	223-8030	17	526-5099	18	618-5317	18
106-6201	6							618-7985	12

INDEX TO NATO STOCK NUMBERS

NATO STOCK NO 5920-99-	PAGE	NATO STOCK NO 5920-99-	PAGE	NATO STOCK NO 5920-99-	PAGE	NATO STOCK NO 5920-99-	PAGE	NATO STOCK NO 5920-99-	PAGE
620-1959	15	643-1478	14	712-2979	6	923-6035	18	955-0219	15
620-3558	14	643-1920	14			923-6036	19	955-7016	10
620-4240	10	643-6112	19	714-1410	18	923-7283	18		
620-4916	8	643-6529	12			923-7284	19	956-5425	10
				715-2713	12	923-7285	19		
621-7565	12	645-5838	14			923-8199	19	970-2753	10
				804-8651	13			970-6630	6
622-5717	16	646-0878	16			932-1236	16	970-9540	13
		646-1914	16	821-9021	13	932-2265	12		
624-3504	15	646-2268	14			932-5515	12	971-3248	14
624-8099	12			824-0085	13			971-3818	16
						933-0571	8	971-3841	14
625-7854	5	648-3226	5	900-1613	5				
625-7855	6	648-3227	5	900-2559	11	940-1035	5	972-1455	19
		648-3228	5	900-3159	15	940-1036	5	972-1457	5
626-9420	12	648-3229	5	900-3171	12	940-1037	6	972-9809	5
		648-3230	5	900-4028	8	940-1597	16	972-9811	5
628-1644	16	648-3231	5	900-4325	8	940-1598	16		
628-1802	16	648-3232	5	900-5445	5	940-2109	18	999-2074	19
628-5159	13	648-3233	6	900-6145	6	940-9860	9	999-2075	18
628-5180	13	648-3234	6	900-7291	7			999-2076	18
628-6447	10	648-3235	6	900-7849	8	943-4885	10	999-2960	9
		648-3236	6	900-7977	5			999-3570	11
630-5114	17	648-3237	6			945-8077	8	999-9732	5
630-7545	10	648-3238	6						
630-9292	6	648-3239	6	901-8055	15	947-3075	17		
630-9992	15	648-3240	6	901-8056	15	947-6581	10		
		648-3241	6	901-8057	15	947-6781	12		
631-1427	14	648-3242	6	901-8058	16				
631-7599	5	648-3243	6			948-4989	5		
631-8601	10	648-3244	6	911-4016	16	948-5053	6		
				911-8252	10	948-5403	5		
633-8042	15	649-7329	14						
				913-7786	5	950-7947	10		
634-2427	16	710-9629	14	913-8323	10	950-9360	10		
634-4600	18								
634-5661	14	711-1642	12	914-0686	15				
		711-1643	12	914-3439	18	951-2443	19		
635-5668	11	711-1644	12	914-3440	10	951-4707	14		
		711-1645	12	914-7696	5	951-9174	10		
638-2288	15	711-1646	12	914-7697	5	951-9907	10		
638-7373	14	711-1647	12						
638-9623	10	711-1648	12			952-2744	12		
638-9750	18	711-1649	12	915-1566	5	952-2746	12		
		711-1650	12	915-1675	5				
639-2920	16	711-1651	12	915-1830	19	953-0611	18		
		711-7463	5	915-1831	19	953-9743	18		
640-0835	15	711-7960	15	915-1832	19				
640-5619	10	711-9094	14	915-1833	19	954-5887	16		



DIRECTORATE OF STANDARDIZATION
MINISTRY OF DEFENCE
DStan 7/8, Room 5143
Kentigern House, 65 Brown Street, Glasgow G2 8EX
Telephone 0141 224 2332
Facsimile 0141 224 2503

Your reference Def Stan 59-100/1

Our reference D/D Stan/59/4/3/2

Date 31 May 1996

OBSOLESCEMENT NOTICE

Def Stan 59-100 (Part 2)/Issue 1

Title: Fuseholders Carriers Cartridge Fuse Link and Wire Fuse Element and Bases Electrical Fuse Part 2 Lists

This notice has been agreed by the authorities concerned with the use of the above Standard.

This Standard is obsolescent because it is no longer required for the procurement of new equipment but is retained for maintenance purposes in support of equipment in-service equipment.

JOHN CUSH
for Directorate of Standardization