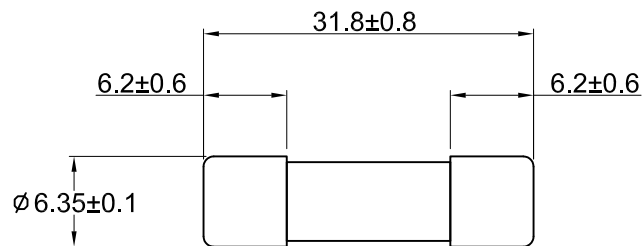
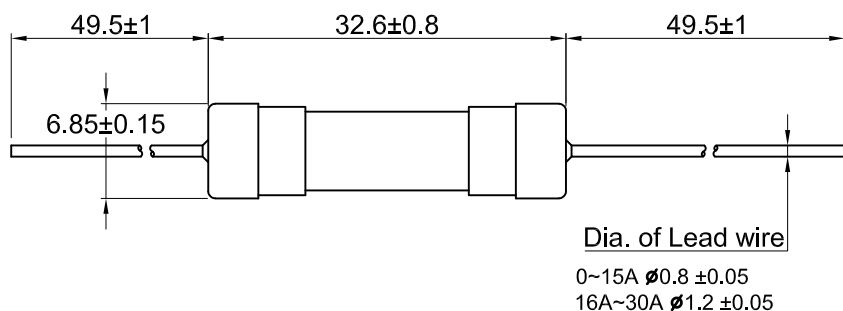


Dimensions in mm

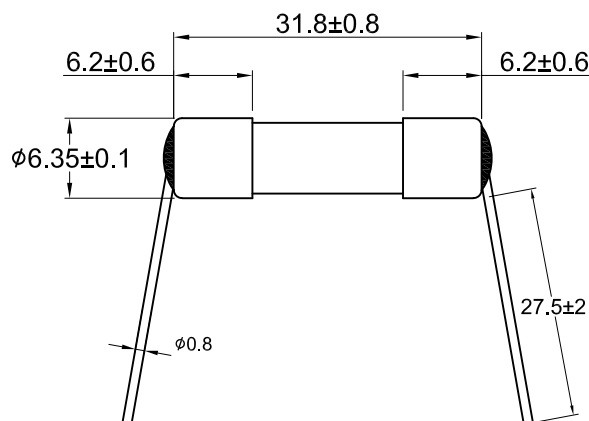
MFC63



MFC63-PA

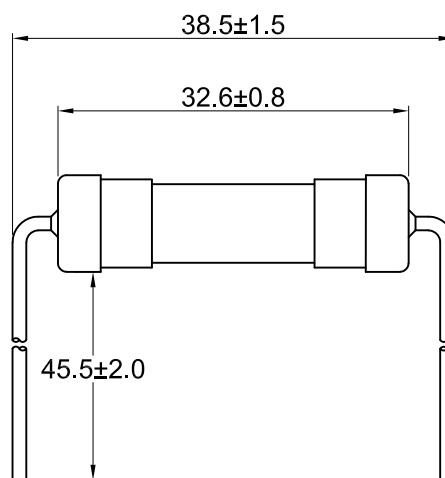


MFC63-P



lead wire 0.8 mm only with current 15A Max.

MFC63-PR



Rated Current	Breaking capacity	Rated Voltage	MFC63-PR/PA			
250mA	@125V/AC 10KA @250V/AC 35A	125V/250V	○	○		
300mA		125V/250V	○	○		
400mA		125V/250V	○	○		
500mA		125V/250V	○	○		
600mA		125V/250V	○	○		
750mA		125V/250V	○	○		
800mA		125V/250V	○	○		
1A		125V/250V	○	○	○	
1.25A	@125V/AC 10KA @250V/AC 100A	125V/250V	○	○	○	
1.5A		125V/250V	○	○	○	
1.6A		125V/250V	○	○	○	
1.8A		125V/250V	○	○	○	
2A		125V/250V	○	○	○	
2.25A		125V/250V	○	○	○	
2.5A		125V/250V	○	○	○	
3A		125V/250V	○	○	○	
3.2A		125V/250V	○	○	○	
3.5A		125V/250V	○	○	○	
4A	@125V/AC 10KA @250V/AC 200A	125V/250V	○	○	○	
4.5A		125V/250V	○	○	○	
5A		125V/250V	○	○	○	
6A		125V/250V	○	○	○	
6.25A		125V/250V	○	○	○	
7A		125V/250V	○	○	○	
8A		125V/250V	○	○	○	
9A		125V/250V	○	○	○	
10A		125V/250V	○	○	○	
12A		@125V/AC 10KA @250V/AC 750A	125V/250V	○	○	○
15A	125V/250V	○	○	○		
20A	@125V/250V/AC 400A	125V/250V				○
25A	@125V/250V/AC 400A	125V/250V				○
30A	125V/250V					○

Test Specification according to standard
UL 248-1,14

Electrical Characteristic

Rated Current	1.0In	1.35In	2.0In
In	Min.	Max.	Max.
250mA-30A	4 h	3600 s	120 s



UNLESS OTHERWISE SPECIFIED DIMENSIONS ARE IN MM TOLERANCE DECIMALS ANGULAR X ± 0.5 ± 2° XX ± 0.25 DO NOT SCALE DRAWING		CUSTOMER NO.	JENN FENG ELECTRIC INDUSTRIAL CO., LTD
		DRAWN BY Tim	
P/N MFC63ax.xxx		CHECKED BY	TITLE Miniature Cartridge Fuse6.35x32mm
REV C		APPROVED BY	PART NO. MFC63 MFC63- P/PA /PR
		DATE 2017.08.15	DRAWING NO. AA05062110
		SCALE	