

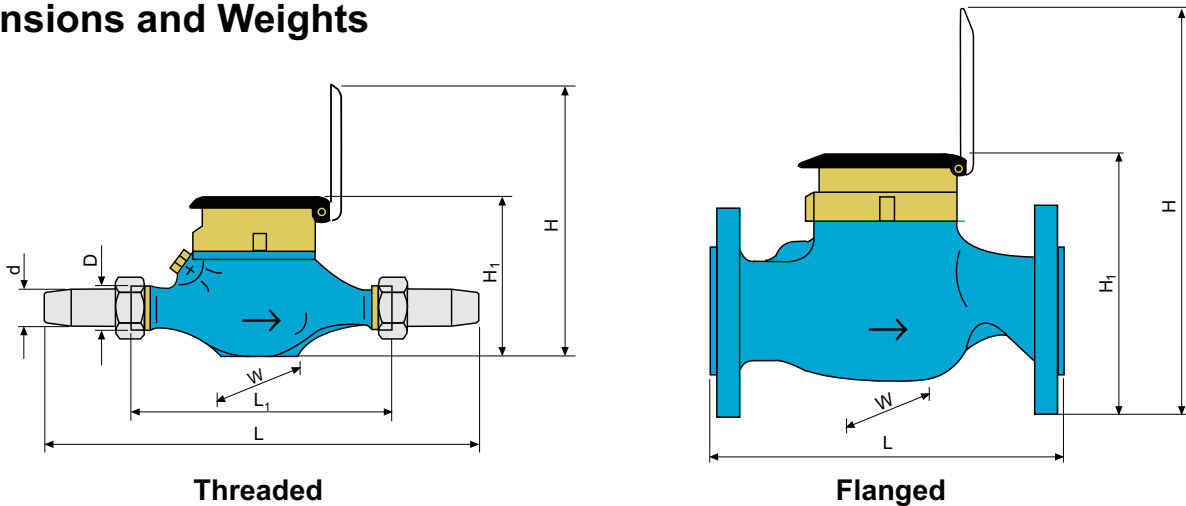
Multi-Jet Water Meter

MT-KD-P

Operating Conditions

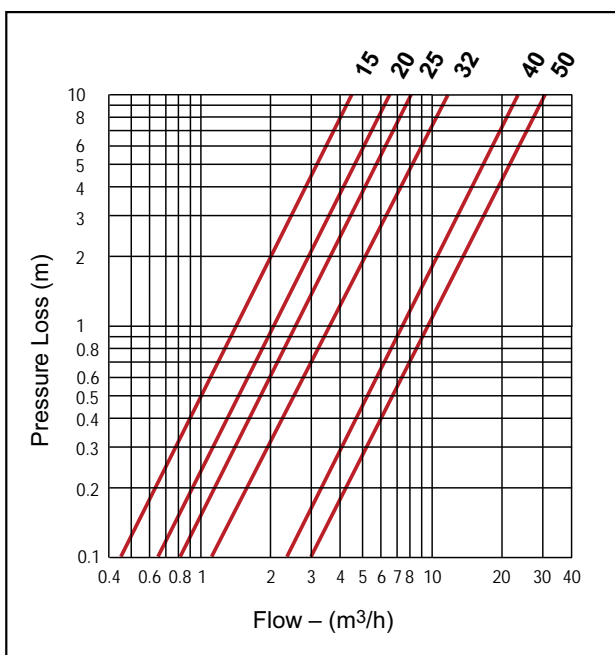
- Water temperature: up to 50°C
- Pressure rating: PN-10

Dimensions and Weights



Nominal Size DN Ø	mm	15	20	25	32	40	50	50
	inch	1/2"	3/4"	1"	1 1/4"	1 1/2"	2"	2"
Body thread (inch)	D	3/4"	1"	1 1/4"	1 1/2"	2"	2 1/4"	Flanged
Connectors thread (inch)	d	1/2"	3/4"	1"	1 1/4"	1 1/2"	2"	–
Length (mm)	L	259/284	284/322	306/376/389	376	435	504	280
	L ₁	165/190	190/228	190/260/273	260	300	350	–
Width (mm)	W	98	98	103	103	126	130	165
Height (mm)	H	200	200	200	225	260	290	270
Height (mm)	H ₁	115	115	115	128	136	161	180
Weight without connectors (kg)		1.4/1.5	1.5/1.7	1.8/2.8/2.8	2.8	4.5	6.5	13.0
Weight with connectors (kg)		1.6/1.7	1.8/2.0	2.4/3.4/3.4	3.6	5.5	8.3	–

Pressure Loss Curve



Metrological Data

Nominal Size DN Ø	mm	15	20	25	32	40	50
	inch	1/2"	3/4"	1"	1 1/4"	1 1/2"	2"
Q _n – Nominal Flow	m ³ /h	1.5	2.5	3.5	6	10	15
Q _{max} – Max. Flow	m ³ /h	3	5	7	12	20	30
Q _t – Transitional Flow	m ³ /h	0.12	0.20	0.28	0.48	0.80	3.0
Q _{min} – Min. Flow	l/h	30	50	70	120	200	450

Accuracy Curve

