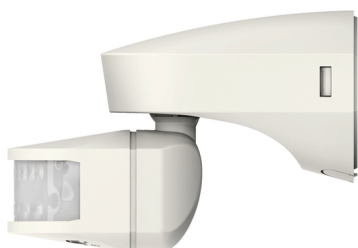


Description

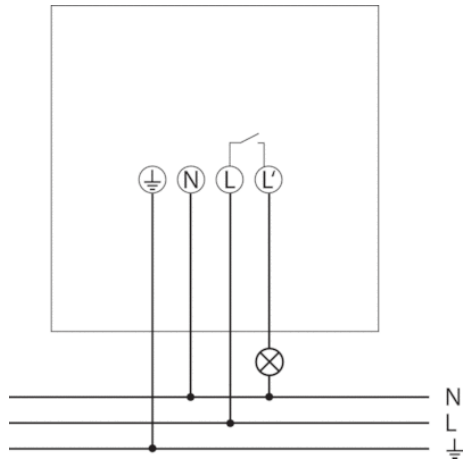


- Motion detector (PIR)
- Automatic lighting control based on presence and brightness
- 180° detection angle
- For outdoor use
- Sensor head can be turned by $\pm 90^\circ$ horizontally and by 30° downwards/upwards
- Adjustable brightness switching value and switch-off delay
- Mixed light measurement suitable for the control of fluorescent, incandescent, halogen lamps and LEDs
- Area limit via stickers
- Test function for checking detection area
- Single-handed plug-in installation

Technical data

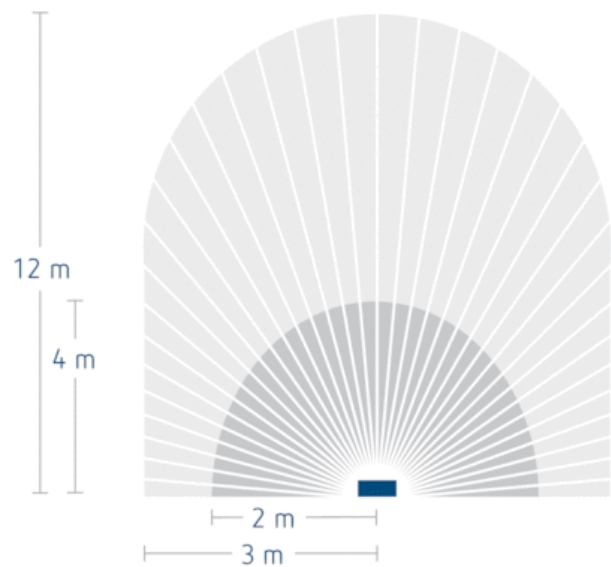
Operating voltage	230 V AC
Frequency	50 Hz
Stand-by consumption	<1 W
Light measurement	Mixed light measurement
Number of channels	1
Installation type	Wall installation
Setting range brightness	5 – 1000 lx
Switching capacity light	10 A (at 230 V AC, $\cos \varphi = 1$), ,
Detection angle	180°
Light switch-off delay	5 s-15 min
Incandescent lamp load	2300 W
Fluorescent lamp load (conventional) parallel-corrected	350 VA 37 μ F
Fluorescent lamp load (conventional) series-corrected	400 VA
LED lamp < 2 W	50 W
LED lamp 2-8 W	150 W
LED lamp > 8 W	150 W
Lamps	Incandescent/halogen lamps, fluorescent lamps, Energy saving lamps, LEDs
Ambient temperature	-20 °C ... +40 °C
Protection class	II
Type of protection	IP 55

Connection example

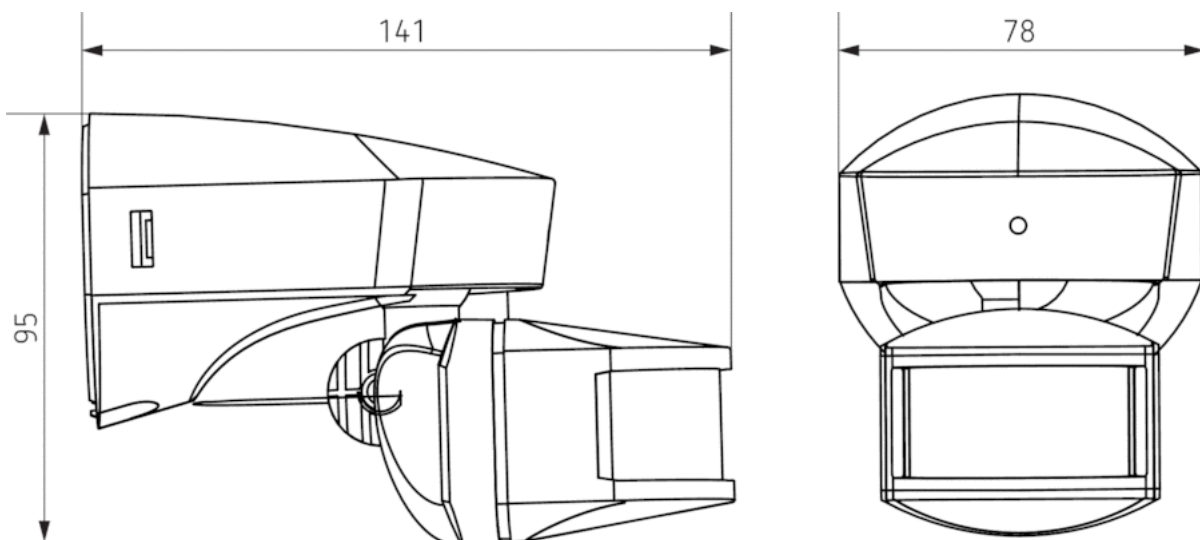


Detection range

Mounting height (A)	Head on to (r)	Diagonally (t)
2,5 m	4 m	12 m



Scale drawings



Article number: 1010205

Accessories

Corner angle theLuxa E WH

- Article number: 9070974
Details ▶ www.theben.de

