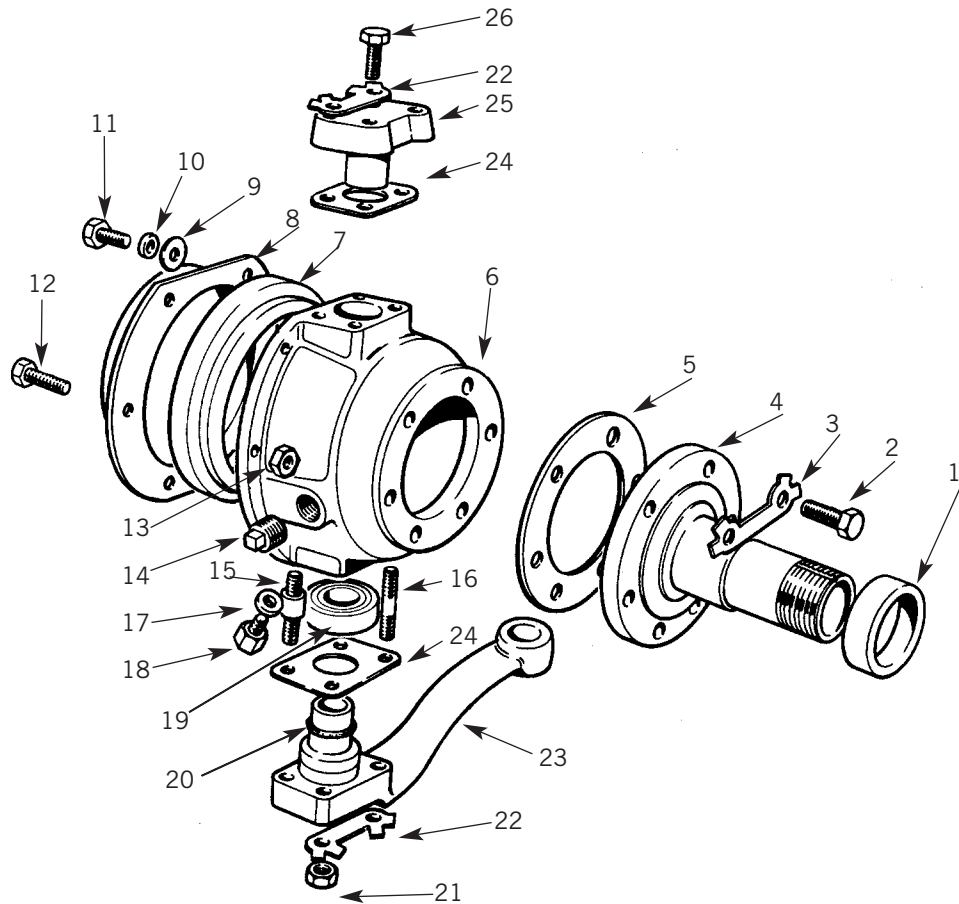




Swivel Pin and Ball Housing



DRAWING REF	QUANTITY	BEARMACH REF	PART NUMBER	DESCRIPTION
1	1	BR 0607	599698	Distance Piece Stub Axle
2	6	BR 0538	237339	Bolt Stub Axle to Swivel Housing
3	3	BR 0965	277311	Locking Plate
4	1	BR 0547	599827	Stub Axle Assembly
5	1	BR 1403	277289	Joint Washer
6		BR 1977	STC3409	Housing Assembly RH
		BR 1976	531004	Housing Assembly LH
7		BR 0023	RTC3528	Oil Seal Swivel Housing
8		BR 0670	235968	Retainer Oil Swivel Seal
9	10	BR 3065	RTC609	Washer Plain
10	10	BR 0622	WH600041L	Spring Washer
11	10	BR 0733	90576510	Bolt 1/4" BSF x 1/2" (3/8" BSF x 1.1/4")
12	2	SH404081	SH404081	Bolt - 1/4" BSF x 3/4"
13	2	BR 0519	3819	Nut - 1/4" BSF
14		BR 0842	3292	Oil Filler Plug
15	4	BR 1707	531043	Stud Lower Steering Lever
16		BR 1705	531494	Stud Lower Steering Lever
17		BR 0266	273069	Joint Washer
18		236070	236070	Drain Plug Swivel Housing
19		BR 0044	217268	Bearing Swivel Pin Lower
		BR 0044G	217268G	Bearing Swivel Pin Lower
		BR 0044R	217268R	Bearing Swivel Pin Lower
20		BR 1979	531433	'O' Ring
21		BR 0739	594104	Nut - 7/16" BSF
22		BR 1704	531001	Lock Washer
23		BR 1972	530988	Steering RH Lever RHD
		BR 1973	530989	Steering LH Lever LHD
24		BR 1700	530985	Shim .003
		BR 1701	530985	Shim .005
		BR 1702	530986	Shim .010
		BR 1703	530987	Shim .030
25		BR 1983	576583	Swivel Pin and Bracket
26		BR 2268	237357	Bolt 7/16" BSF x 1.3/8"