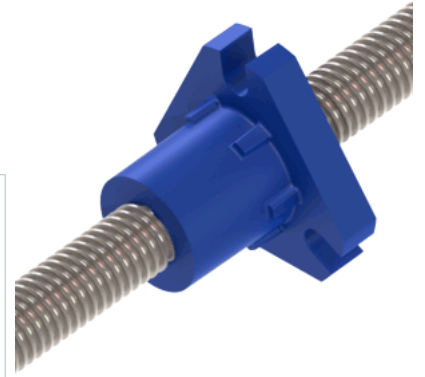
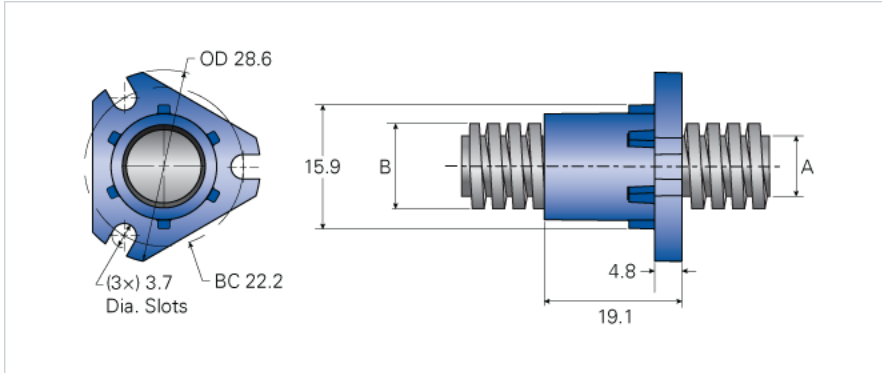


## Metric Flanged Standard Lead Screw Assembly 8 mm x 25 mm A

Call 855-HELIXLT or visit us online at [www.helixlinear.com](http://www.helixlinear.com) to configure and order your Metric Flanged Standard Lead Screw Assembly 8 mm x 25 mm A today!



### Metric Lead Screw

#### Product Info

Part Number	032984A
Thread Direction	RH/LH
Screw Material	Alloy

#### Details

Lead [mm]	25.00
Starts	20
Pitch [mm]	1.3
Diameter [mm]	8
End Code for Types 1,2,3,5 [* Journals may show tracings of the thread]	5
End Code for Type 4 [* Journals may show tracings of the thread]	2
Diameter Code	032
Lead Code	984

#### Dimensions

A [mm]	6.30
B [mm]	7.40

#### Performance Specifications

Efficiency [%]	69-86
Lead Accuracy +/- [in/in]	0.0003

### Metric Flanged Standard Lead Nut

#### Product Info

Part Number	NFA032984
Thread Direction	RH/LH
Type	Acetal

#### Details

Lead [mm]	25.00
Starts	20
Pitch [mm]	1.25
Diameter [mm]	8
Diameter Code	032
Lead Code	984

#### Forces and Torques

Torque to Raise 1 lb. [in-lb]	0.203
-------------------------------	-------

#### Flange Part Numbers

Flange Part Number	n/a
--------------------	-----

#### Weight

Flange Weight [lb]	n/a
Nut Weight [oz]	0.18

#### Performance Specifications

Efficiency [%]	69-86
Lead Accuracy +/- [in/in]	0.0003
Dynamic Load Capacity [lb]	122
Static Load Capacity [lb]	610