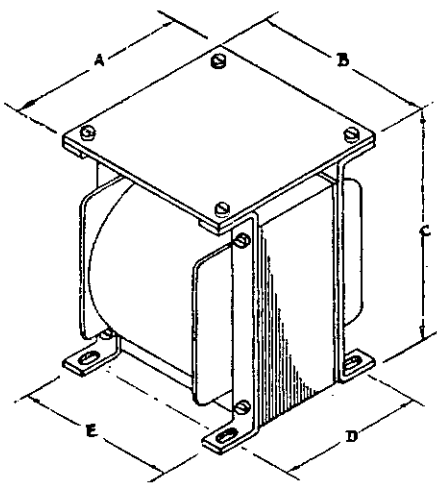


Mounting



Avon Series Mounting Style S.T.

To BSS 2214

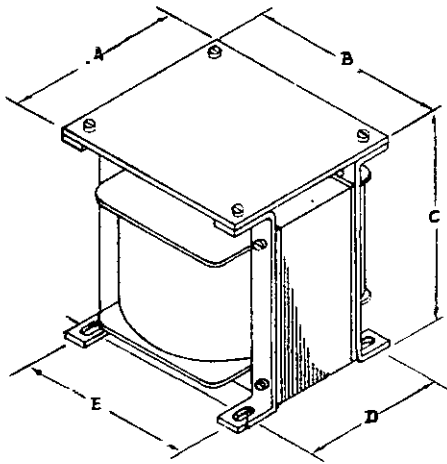
A standard open type assembly for general use to BSS 2214, Group 10/55, H.3. The windings are vacuum-pressure impregnated with a thermo-setting oil-based varnish, and the complete assemblies are enveloped in a sealing coat of black Alkyd-based resin. Also available for horizontal and inverted mounting (Please see drawings No. A1170, A1220 and A1230).

Overall height variations :

- Solder Tags add $\frac{1}{4}$ " to dimension 'C'
- Porcelain Inserts add $\frac{1}{2}$ " to dimension 'C'
- Heavy Current Lugs add $\frac{1}{2}$ " to dimension 'C'
- Semi-shrouded Terminal Blocks add $\frac{1}{4}$ " to dimension 'C'

All dimensions shown on this drawing are in inches.

Size	Dimensions $\pm 1/32$ "			Fixing Centre Dimensions		Fixt. Bolt Size	P.S.
	A	B	C	D	E		
12/ST/3	2 $\frac{1}{4}$	1 $\frac{1}{2}$	3 $\frac{7}{8}$	1 $\frac{1}{4}$	1 $\frac{1}{8}$	4 B.A.	4
12/ST/4	2 $\frac{3}{8}$	1 $\frac{1}{2}$	3 $\frac{7}{8}$	1 $\frac{1}{4}$	1 $\frac{1}{8}$	4 B.A.	6
12/ST/5	2 $\frac{3}{8}$	1 $\frac{1}{2}$	3 $\frac{7}{8}$	2 $\frac{1}{4}$	1 $\frac{1}{8}$	4 B.A.	8
12/ST/6	3	1 $\frac{1}{2}$	3 $\frac{7}{8}$	2 $\frac{3}{8}$	1 $\frac{1}{8}$	4 B.A.	12
116/ST/3	2 $\frac{1}{2}$	1 $\frac{3}{8}$	3 $\frac{3}{8}$	1 $\frac{1}{2}$	1 $\frac{1}{2}$	4 B.A.	
116/ST/4	2 $\frac{3}{4}$	1 $\frac{3}{8}$	3 $\frac{3}{8}$	2 $\frac{1}{8}$	1 $\frac{1}{2}$	4 B.A.	
116/ST/5	3	1 $\frac{3}{8}$	3 $\frac{3}{8}$	2 $\frac{1}{8}$	1 $\frac{1}{2}$	4 B.A.	15
116/ST/6	3 $\frac{1}{4}$	1 $\frac{3}{8}$	3 $\frac{3}{8}$	2 $\frac{1}{8}$	1 $\frac{1}{2}$	4 B.A.	24
84/ST/3	2 $\frac{1}{2}$	2 $\frac{1}{2}$	3 $\frac{1}{2}$	1 $\frac{1}{2}$	2 $\frac{1}{8}$	4 B.A.	
84/ST/4	2 $\frac{3}{8}$	2 $\frac{1}{2}$	3 $\frac{1}{2}$	2 $\frac{1}{8}$	2 $\frac{1}{8}$	4 B.A.	
84/ST/5	3	2 $\frac{1}{2}$	3 $\frac{1}{2}$	2 $\frac{1}{8}$	2 $\frac{1}{8}$	4 B.A.	27
84/ST/6	3 $\frac{1}{4}$	2 $\frac{1}{2}$	3 $\frac{1}{2}$	2 $\frac{1}{8}$	2 $\frac{1}{8}$	4 B.A.	30
42/ST/4	3	2 $\frac{1}{2}$	4 $\frac{1}{4}$	2 $\frac{1}{8}$	2 $\frac{1}{8}$	4 B.A.	
42/ST/5	3 $\frac{1}{4}$	2 $\frac{1}{2}$	4 $\frac{1}{4}$	2 $\frac{1}{8}$	2 $\frac{1}{8}$	4 B.A.	36
42/ST/6	3 $\frac{1}{2}$	2 $\frac{1}{2}$	4 $\frac{1}{4}$	2 $\frac{1}{8}$	2 $\frac{1}{8}$	4 B.A.	42
4/ST/4	3	3 $\frac{1}{8}$	4 $\frac{1}{4}$	2 $\frac{1}{8}$	2 $\frac{1}{4}$	4 B.A.	
4/ST/5	3 $\frac{1}{4}$	3 $\frac{1}{8}$	4 $\frac{1}{4}$	2 $\frac{1}{8}$	2 $\frac{1}{4}$	4 B.A.	52
4/ST/6	3 $\frac{1}{2}$	3 $\frac{1}{8}$	4 $\frac{1}{4}$	2 $\frac{1}{8}$	2 $\frac{1}{4}$	4 B.A.	65
26/ST/4	3 $\frac{3}{8}$	3 $\frac{3}{8}$	4 $\frac{1}{2}$	2 $\frac{1}{4}$	2 $\frac{1}{2}$	2 B.A.	
26/ST/5	3 $\frac{3}{8}$	3 $\frac{3}{8}$	4 $\frac{1}{2}$	2 $\frac{1}{4}$	2 $\frac{1}{2}$	2 B.A.	70
26/ST/6	3 $\frac{7}{8}$	3 $\frac{3}{8}$	4 $\frac{1}{2}$	2 $\frac{1}{4}$	2 $\frac{1}{2}$	2 B.A.	85
26/ST/7	4 $\frac{1}{8}$	3 $\frac{3}{8}$	4 $\frac{1}{2}$	3	2 $\frac{1}{2}$	2 B.A.	100
60/ST/5	3 $\frac{3}{4}$	4	5 $\frac{1}{4}$	2 $\frac{1}{2}$	3 $\frac{3}{8}$	2 B.A.	
60/ST/6	4	4	5 $\frac{1}{4}$	2 $\frac{1}{2}$	3 $\frac{3}{8}$	2 B.A.	100
60/ST/7	4 $\frac{1}{4}$	4	5 $\frac{1}{4}$	3	3 $\frac{3}{8}$	2 B.A.	125
60/ST/8	4 $\frac{1}{2}$	4	5 $\frac{1}{4}$	3 $\frac{1}{4}$	3 $\frac{3}{8}$	2 B.A.	145
60/ST/9	4 $\frac{1}{2}$	4	5 $\frac{1}{4}$	3 $\frac{1}{4}$	3 $\frac{3}{8}$	2 B.A.	180
25/ST/5	4 $\frac{1}{8}$	4 $\frac{1}{4}$	5 $\frac{1}{4}$	3	3 $\frac{3}{8}$	$\frac{1}{2}$ B.S.F.	
25/ST/6	4 $\frac{1}{8}$	4 $\frac{1}{4}$	5 $\frac{1}{4}$	3 $\frac{1}{4}$	3 $\frac{3}{8}$	$\frac{1}{2}$ B.S.F.	
25/ST/7	4 $\frac{1}{8}$	4 $\frac{1}{4}$	5 $\frac{1}{4}$	3 $\frac{1}{4}$	3 $\frac{3}{8}$	$\frac{1}{2}$ B.S.F.	
25/ST/8	4 $\frac{1}{8}$	4 $\frac{1}{4}$	5 $\frac{1}{4}$	3 $\frac{1}{4}$	3 $\frac{3}{8}$	$\frac{1}{2}$ B.S.F.	180
25/ST/9	5 $\frac{1}{4}$	4 $\frac{1}{4}$	5 $\frac{1}{4}$	4	3 $\frac{3}{8}$	$\frac{1}{2}$ B.S.F.	200
245/ST/6	4 $\frac{1}{8}$	4 $\frac{1}{2}$	6 $\frac{1}{4}$	3 $\frac{1}{4}$	3 $\frac{3}{8}$	$\frac{1}{2}$ B.S.F.	
245/ST/7	5	4 $\frac{1}{2}$	6 $\frac{1}{4}$	3 $\frac{1}{2}$	3 $\frac{3}{8}$	$\frac{1}{2}$ B.S.F.	220
245/ST/8	5 $\frac{1}{4}$	4 $\frac{1}{2}$	6 $\frac{1}{4}$	3 $\frac{1}{4}$	3 $\frac{3}{8}$	$\frac{1}{2}$ B.S.F.	245
245/ST/9	5 $\frac{1}{4}$	4 $\frac{1}{2}$	6 $\frac{1}{4}$	4	3 $\frac{3}{8}$	$\frac{1}{2}$ B.S.F.	280
45/ST/7	5 $\frac{1}{2}$	5 $\frac{1}{2}$	7 $\frac{1}{4}$	3 $\frac{7}{8}$	4 $\frac{1}{4}$	$\frac{1}{2}$ B.S.F.	
45/ST/8	5 $\frac{1}{4}$	5 $\frac{1}{2}$	7 $\frac{1}{4}$	3 $\frac{3}{4}$	4 $\frac{1}{2}$	$\frac{1}{2}$ B.S.F.	350
45/ST/9	6	5 $\frac{1}{2}$	7 $\frac{1}{4}$	3 $\frac{3}{4}$	4 $\frac{1}{2}$	$\frac{1}{2}$ B.S.F.	450
45/ST/10	6 $\frac{1}{4}$	5 $\frac{1}{2}$	7 $\frac{1}{4}$	4 $\frac{1}{8}$	4 $\frac{1}{2}$	$\frac{1}{2}$ B.S.F.	550
78/ST/7	5 $\frac{1}{2}$	6 $\frac{3}{4}$	7 $\frac{1}{2}$	3 $\frac{1}{2}$	5 $\frac{7}{8}$	$\frac{1}{2}$ B.S.F.	
78/ST/8	5 $\frac{1}{4}$	6 $\frac{3}{4}$	7 $\frac{1}{2}$	3 $\frac{1}{4}$	5 $\frac{7}{8}$	$\frac{1}{2}$ B.S.F.	600
78/ST/9	6	6 $\frac{3}{4}$	7 $\frac{1}{2}$	4	5 $\frac{7}{8}$	$\frac{1}{2}$ B.S.F.	650
78/ST/10	6 $\frac{1}{4}$	6 $\frac{3}{4}$	7 $\frac{1}{2}$	4 $\frac{1}{4}$	5 $\frac{7}{8}$	$\frac{1}{2}$ B.S.F.	750
78/ST/13	7	6 $\frac{3}{4}$	7 $\frac{1}{2}$	5	5 $\frac{7}{8}$	$\frac{1}{2}$ B.S.F.	
41/ST/10	7	7 $\frac{1}{4}$	9 $\frac{1}{4}$	4 $\frac{1}{8}$	6	$\frac{1}{2}$ B.S.F.	850
41/ST/13	7 $\frac{1}{4}$	7 $\frac{1}{4}$	9 $\frac{1}{4}$	5 $\frac{1}{2}$	6	$\frac{1}{2}$ B.S.F.	1200
41/ST/16	8 $\frac{1}{4}$	7 $\frac{1}{4}$	9 $\frac{1}{4}$	6 $\frac{1}{4}$	6	$\frac{1}{2}$ B.S.F.	
41/ST/18	9	7 $\frac{1}{4}$	9 $\frac{1}{4}$	6 $\frac{1}{4}$	6	$\frac{1}{2}$ B.S.F.	
41/ST/20	9 $\frac{1}{4}$	7 $\frac{1}{4}$	9 $\frac{1}{4}$	7 $\frac{1}{4}$	6	$\frac{1}{2}$ B.S.F.	
41/ST/24	10 $\frac{1}{4}$	7 $\frac{1}{4}$	9 $\frac{1}{4}$	8 $\frac{1}{4}$	6	$\frac{1}{2}$ B.S.F.	
167/ST/12	8 $\frac{1}{2}$	11	12	6	9 $\frac{1}{2}$	$\frac{1}{2}$ B.S.F.	
167/ST/14	9	11	12	6 $\frac{1}{2}$	9 $\frac{1}{2}$	$\frac{1}{2}$ B.S.F.	
167/ST/16	9 $\frac{1}{4}$	11	12	7	9 $\frac{1}{2}$	$\frac{1}{2}$ B.S.F.	
167/ST/18	10	11	12	7 $\frac{1}{2}$	9 $\frac{1}{2}$	$\frac{1}{2}$ B.S.F.	
167/ST/20	10 $\frac{1}{2}$	11	12	8	9 $\frac{1}{2}$	$\frac{1}{2}$ B.S.F.	
167/ST/22	11	11	12	8 $\frac{1}{2}$	9 $\frac{1}{2}$	$\frac{1}{2}$ B.S.F.	
167/ST/24	11 $\frac{1}{2}$	11	12	9	9 $\frac{1}{2}$	$\frac{1}{2}$ B.S.F.	



**Avon Series
Mounting Style H**

To BSS 2214

A standard open type assembly for general use to BSS 2214, Group 10/55, H.3. The windings are vacuum/pressure impregnated with a thermo-setting oil-based varnish, and the complete assemblies are enveloped in a sealing coat of black Alkyd-based resin. Also available for upright and inverted mounting (Please see drawings No. A1180, A1220 and A1230.)

Solder Tags

increase height dimension 'C' by $\frac{1}{4}$ "

Porcelain Inserts

increase height dimension 'C' by $\frac{1}{2}$ "

Heavy Current Lugs

increase height dimension 'C' by $\frac{1}{2}$ "

Semi-shrouded Terminal Blocks

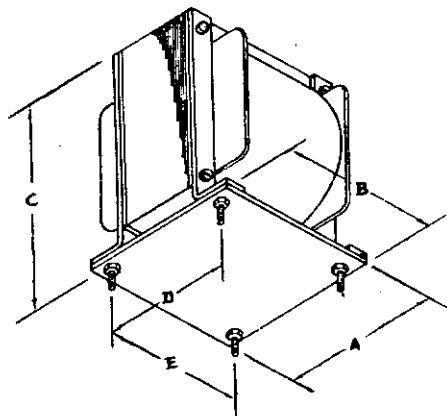
increase height dimension 'C' by $\frac{3}{8}$ "

All dimensions shown on this drawing are in inches.

Size	Dimensions $\pm 1/32$ "			Fixing Centre Dimensions		Fixing Bolt Size	VA Rating at 50 c.p.s.
	A	B	C	D	E		
12/H/3	2 $\frac{1}{4}$	2 $\frac{1}{8}$	2 $\frac{5}{16}$	1 $\frac{1}{8}$	2 $\frac{3}{16}$	4 B.A.	4
12/H/4	2 $\frac{3}{8}$	2 $\frac{1}{8}$	2 $\frac{5}{16}$	1 $\frac{1}{8}$	2 $\frac{3}{16}$	4 B.A.	6
12/H/5	2 $\frac{3}{8}$	2 $\frac{3}{8}$	2 $\frac{5}{16}$	2 $\frac{1}{8}$	2 $\frac{3}{16}$	4 B.A.	8
12/H/6	3	2 $\frac{3}{8}$	2 $\frac{5}{16}$	2 $\frac{1}{8}$	2 $\frac{3}{16}$	4 B.A.	12
116/H/3	2 $\frac{1}{2}$	3	2 $\frac{1}{2}$	1 $\frac{1}{8}$	2 $\frac{3}{8}$	4 B.A.	
116/H/4	2 $\frac{1}{2}$	3	2 $\frac{1}{2}$	2 $\frac{1}{8}$	2 $\frac{3}{8}$	4 B.A.	
116/H/5	3	3	2 $\frac{1}{2}$	2 $\frac{1}{8}$	2 $\frac{3}{8}$	4 B.A.	15
116/H/6	3 $\frac{1}{4}$	3	2 $\frac{1}{2}$	2 $\frac{1}{8}$	2 $\frac{3}{8}$	4 B.A.	24
84/H/3	2 $\frac{1}{2}$	3 $\frac{1}{4}$	3 $\frac{1}{8}$	1 $\frac{1}{8}$	2 $\frac{1}{8}$	4 B.A.	
84/H/4	2 $\frac{1}{2}$	3 $\frac{1}{4}$	3 $\frac{1}{8}$	2 $\frac{1}{8}$	2 $\frac{1}{8}$	4 B.A.	
84/H/5	3	3 $\frac{1}{4}$	3 $\frac{1}{8}$	2 $\frac{1}{8}$	2 $\frac{1}{8}$	4 B.A.	27
84/H/6	3 $\frac{1}{4}$	3 $\frac{1}{4}$	3 $\frac{1}{8}$	2 $\frac{1}{8}$	2 $\frac{1}{8}$	4 B.A.	30
42/H/4	3	3 $\frac{5}{8}$	3 $\frac{1}{8}$	2 $\frac{1}{8}$	3 $\frac{1}{4}$	4 B.A.	
42/H/5	3 $\frac{1}{4}$	3 $\frac{5}{8}$	3 $\frac{1}{8}$	2 $\frac{1}{8}$	3 $\frac{1}{4}$	4 B.A.	36
42/H/6	3 $\frac{1}{2}$	3 $\frac{5}{8}$	3 $\frac{1}{8}$	2 $\frac{1}{8}$	3 $\frac{1}{4}$	4 B.A.	42
4/H/4	3	3 $\frac{5}{8}$	3 $\frac{1}{2}$	2 $\frac{1}{8}$	3 $\frac{1}{2}$	4 B.A.	
4/H/5	3 $\frac{1}{2}$	3 $\frac{5}{8}$	3 $\frac{1}{2}$	2 $\frac{1}{8}$	3 $\frac{1}{2}$	4 B.A.	52
4/H/6	3 $\frac{1}{2}$	3 $\frac{5}{8}$	3 $\frac{1}{2}$	2 $\frac{1}{8}$	3 $\frac{1}{2}$	4 B.A.	65
26/H/4	3 $\frac{3}{8}$	4	4 $\frac{1}{8}$	2 $\frac{1}{4}$	3 $\frac{1}{2}$	2 B.A.	
26/H/5	3 $\frac{3}{8}$	4	4 $\frac{1}{8}$	2 $\frac{1}{4}$	3 $\frac{1}{2}$	2 B.A.	70
26/H/6	3 $\frac{3}{8}$	4	4 $\frac{1}{8}$	2 $\frac{1}{4}$	3 $\frac{1}{2}$	2 B.A.	85
26/H/7	4 $\frac{1}{8}$	4	4 $\frac{1}{8}$	3	3 $\frac{1}{2}$	2 B.A.	100
60/H/5	3 $\frac{3}{4}$	4 $\frac{1}{2}$	4 $\frac{1}{4}$	2 $\frac{1}{2}$	3 $\frac{1}{2}$	2 B.A.	
60/H/6	4	4 $\frac{1}{2}$	4 $\frac{1}{4}$	2 $\frac{1}{2}$	3 $\frac{1}{2}$	2 B.A.	100
60/H/7	4 $\frac{1}{4}$	4 $\frac{1}{2}$	4 $\frac{1}{4}$	3	3 $\frac{1}{2}$	2 B.A.	125
60/H/8	4 $\frac{1}{4}$	4 $\frac{1}{2}$	4 $\frac{1}{4}$	3 $\frac{1}{2}$	3 $\frac{1}{2}$	2 B.A.	145
60/H/9	4 $\frac{1}{4}$	4 $\frac{1}{2}$	4 $\frac{1}{4}$	3 $\frac{1}{2}$	3 $\frac{1}{2}$	2 B.A.	180
25/H/5	4 $\frac{1}{8}$	5	5	3	4 $\frac{1}{8}$	$\frac{1}{2}$ B.S.F.	
25/H/6	4 $\frac{1}{8}$	5	5	3 $\frac{1}{2}$	4 $\frac{1}{8}$	$\frac{1}{2}$ B.S.F.	
25/H/7	4 $\frac{1}{8}$	5	5	3 $\frac{1}{2}$	4 $\frac{1}{8}$	$\frac{1}{2}$ B.S.F.	
25/H/8	4 $\frac{1}{8}$	5	5	3 $\frac{1}{2}$	4 $\frac{1}{8}$	$\frac{1}{2}$ B.S.F.	180
25/H/9	5 $\frac{1}{4}$	5	5	4	4 $\frac{1}{8}$	$\frac{1}{2}$ B.S.F.	200
245/H/6	4 $\frac{5}{8}$	5 $\frac{1}{2}$	5 $\frac{1}{2}$	3 $\frac{1}{2}$	4 $\frac{1}{8}$	$\frac{1}{2}$ B.S.F.	
245/H/7	5	5 $\frac{1}{2}$	5 $\frac{1}{2}$	3 $\frac{1}{2}$	4 $\frac{1}{8}$	$\frac{1}{2}$ B.S.F.	220
245/H/8	5 $\frac{1}{2}$	5 $\frac{1}{2}$	5 $\frac{1}{2}$	3 $\frac{1}{2}$	4 $\frac{1}{8}$	$\frac{1}{2}$ B.S.F.	245
245/H/9	5 $\frac{1}{2}$	5 $\frac{1}{2}$	5 $\frac{1}{2}$	4	4 $\frac{1}{8}$	$\frac{1}{2}$ B.S.F.	280
45/H/7	5 $\frac{1}{2}$	6 $\frac{1}{4}$	6 $\frac{1}{4}$	3 $\frac{7}{8}$	5 $\frac{1}{2}$	$\frac{1}{2}$ B.S.F.	
45/H/8	5 $\frac{1}{4}$	6 $\frac{1}{4}$	6 $\frac{1}{4}$	3 $\frac{3}{4}$	5 $\frac{1}{2}$	$\frac{1}{2}$ B.S.F.	350
45/H/9	6	6 $\frac{1}{4}$	6 $\frac{1}{4}$	3 $\frac{3}{4}$	5 $\frac{1}{2}$	$\frac{1}{2}$ B.S.F.	450
45/H/10	6 $\frac{1}{4}$	6 $\frac{1}{4}$	6 $\frac{1}{4}$	4 $\frac{1}{8}$	5 $\frac{1}{2}$	$\frac{1}{2}$ B.S.F.	550
78/H/7	5 $\frac{1}{2}$	6 $\frac{3}{4}$	7 $\frac{1}{2}$	3 $\frac{1}{2}$	5 $\frac{7}{8}$	$\frac{1}{2}$ B.S.F.	
78/H/8	5 $\frac{1}{2}$	6 $\frac{3}{4}$	7 $\frac{1}{2}$	3 $\frac{1}{2}$	5 $\frac{7}{8}$	$\frac{1}{2}$ B.S.F.	
78/H/9	6	6 $\frac{3}{4}$	7 $\frac{1}{2}$	4	5 $\frac{7}{8}$	$\frac{1}{2}$ B.S.F.	600
78/H/10	6 $\frac{1}{4}$	6 $\frac{3}{4}$	7 $\frac{1}{2}$	4 $\frac{1}{4}$	5 $\frac{7}{8}$	$\frac{1}{2}$ B.S.F.	650
78/H/13	7	6 $\frac{3}{4}$	7 $\frac{1}{2}$	5	5 $\frac{7}{8}$	$\frac{1}{2}$ B.S.F.	750
41/H/10	7	8 $\frac{1}{2}$	8 $\frac{7}{8}$	4 $\frac{1}{4}$	7 $\frac{1}{4}$	$\frac{3}{8}$ B.S.F.	850
41/H/13	7 $\frac{1}{2}$	8 $\frac{1}{2}$	8 $\frac{7}{8}$	5 $\frac{1}{4}$	7 $\frac{1}{4}$	$\frac{3}{8}$ B.S.F.	1200
41/H/16	8 $\frac{1}{2}$	8 $\frac{1}{2}$	8 $\frac{7}{8}$	6 $\frac{1}{4}$	7 $\frac{1}{4}$	$\frac{3}{8}$ B.S.F.	
41/H/18	9	8 $\frac{1}{2}$	8 $\frac{7}{8}$	6 $\frac{1}{4}$	7 $\frac{1}{4}$	$\frac{3}{8}$ B.S.F.	
41/H/20	9 $\frac{1}{2}$	8 $\frac{1}{2}$	8 $\frac{7}{8}$	7 $\frac{1}{4}$	7 $\frac{1}{4}$	$\frac{3}{8}$ B.S.F.	
41/H/24	10 $\frac{1}{4}$	8 $\frac{1}{2}$	8 $\frac{7}{8}$	8 $\frac{1}{4}$	7 $\frac{1}{4}$	$\frac{3}{8}$ B.S.F.	

AVON "A" SERIES

Mounting Style R



Avon "A" Series

Mounting Style R

To BSS 2214

A standard open type inverted assembly for general use to BSS 2214, Group 10/55, H.3. The windings are vacuum/pressure impregnated with a thermosetting oil-based varnish, and the complete assemblies are enveloped in a sealing coat of black Alkyd-based resin.

Solder Tags

increase height dimension 'C' by $\frac{1}{4}$ "

Porcelain Inserts

increase height dimension 'C' by $\frac{1}{2}$ "

Heavy Current Lugs

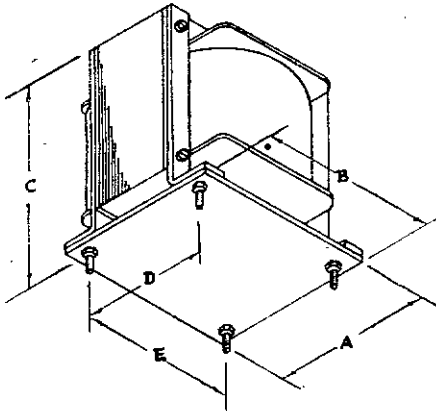
increase height dimension 'C' by $\frac{1}{2}$ "

Semi-shrouded Terminal Blocks

increase height dimension 'C' by $\frac{1}{8}$ "

All dimensions shown on this drawing are in inches.

Size	Dimensions $\pm 1/32$ "			Fixing Centre Dimensions		Fixing Bolt Size	VA Rating at 50 c.p.s.
	A	B	C	D	E		
12/R/3	2 $\frac{1}{8}$	1 $\frac{1}{8}$	3 $\frac{1}{8}$	1 $\frac{1}{8}$	1 $\frac{1}{8}$	4 B.A.	4
12/R/4	2 $\frac{1}{8}$	1 $\frac{1}{8}$	3 $\frac{1}{8}$	1 $\frac{1}{8}$	1 $\frac{1}{8}$	4 B.A.	6
12/R/5	2 $\frac{1}{8}$	1 $\frac{1}{8}$	3 $\frac{1}{8}$	1 $\frac{1}{8}$	1 $\frac{1}{8}$	4 B.A.	8
12/R/6	3	1 $\frac{1}{8}$	3 $\frac{1}{8}$	2 $\frac{1}{8}$	1 $\frac{1}{8}$	4 B.A.	12
116/R/3	2 $\frac{1}{2}$	1 $\frac{7}{8}$	3 $\frac{1}{2}$	1 $\frac{1}{8}$	1 $\frac{1}{2}$	4 B.A.	
116/R/4	2 $\frac{1}{2}$	1 $\frac{7}{8}$	3 $\frac{1}{2}$	2 $\frac{1}{8}$	1 $\frac{1}{2}$	4 B.A.	
116/R/5	3	1 $\frac{7}{8}$	3 $\frac{1}{2}$	2 $\frac{1}{8}$	1 $\frac{1}{2}$	4 B.A.	15
116/R/6	3 $\frac{1}{2}$	1 $\frac{7}{8}$	3 $\frac{1}{2}$	2 $\frac{1}{8}$	1 $\frac{1}{2}$	4 B.A.	24
84/R/3	2 $\frac{1}{2}$	2 $\frac{1}{2}$	3 $\frac{1}{2}$	1 $\frac{1}{8}$	2 $\frac{1}{8}$	4 B.A.	
84/R/4	2 $\frac{1}{2}$	2 $\frac{1}{2}$	3 $\frac{1}{2}$	2 $\frac{1}{8}$	2 $\frac{1}{8}$	4 B.A.	
84/R/5	3	2 $\frac{1}{2}$	3 $\frac{1}{2}$	2 $\frac{1}{8}$	2 $\frac{1}{8}$	4 B.A.	27
84/R/6	3 $\frac{1}{2}$	2 $\frac{1}{2}$	3 $\frac{1}{2}$	2 $\frac{1}{8}$	2 $\frac{1}{8}$	4 B.A.	30
42/R/4	3	2 $\frac{1}{2}$	4 $\frac{1}{8}$	2 $\frac{1}{8}$	2 $\frac{1}{8}$	4 B.A.	
42/R/5	3 $\frac{1}{2}$	2 $\frac{1}{2}$	4 $\frac{1}{8}$	2 $\frac{1}{8}$	2 $\frac{1}{8}$	4 B.A.	36
42/R/6	3 $\frac{1}{2}$	2 $\frac{1}{2}$	4 $\frac{1}{8}$	2 $\frac{1}{8}$	2 $\frac{1}{8}$	4 B.A.	42
4/R/4	3	3 $\frac{3}{8}$	4 $\frac{1}{8}$	2 $\frac{1}{8}$	2 $\frac{1}{2}$	4 B.A.	
4/R/5	3 $\frac{1}{2}$	3 $\frac{3}{8}$	4 $\frac{1}{8}$	2 $\frac{1}{8}$	2 $\frac{1}{2}$	4 B.A.	52
4/R/6	3 $\frac{1}{2}$	3 $\frac{3}{8}$	4 $\frac{1}{8}$	2 $\frac{1}{8}$	2 $\frac{1}{2}$	4 B.A.	65
26/R/4	3 $\frac{3}{8}$	3 $\frac{3}{8}$	4 $\frac{1}{8}$	2 $\frac{1}{2}$	2 $\frac{7}{8}$	2 B.A.	
26/R/5	3 $\frac{3}{8}$	3 $\frac{3}{8}$	4 $\frac{1}{8}$	2 $\frac{1}{2}$	2 $\frac{7}{8}$	2 B.A.	70
26/R/6	3 $\frac{3}{8}$	3 $\frac{3}{8}$	4 $\frac{1}{8}$	2 $\frac{1}{2}$	2 $\frac{7}{8}$	2 B.A.	85
26/R/7	4 $\frac{1}{8}$	3 $\frac{3}{8}$	4 $\frac{1}{8}$	3	2 $\frac{7}{8}$	2 B.A.	100
60/R/5	3 $\frac{3}{8}$	4	5 $\frac{1}{8}$	2 $\frac{1}{2}$	3 $\frac{1}{8}$	2 B.A.	
60/R/6	4	4	5 $\frac{1}{8}$	2 $\frac{1}{2}$	3 $\frac{1}{8}$	2 B.A.	100
60/R/7	4 $\frac{1}{4}$	4	5 $\frac{1}{8}$	3	3 $\frac{3}{8}$	2 B.A.	125
60/R/8	4 $\frac{1}{4}$	4	5 $\frac{1}{8}$	3 $\frac{1}{2}$	3 $\frac{3}{8}$	2 B.A.	145
60/R/9	4 $\frac{1}{2}$	4	5 $\frac{1}{8}$	3 $\frac{1}{2}$	3 $\frac{3}{8}$	2 B.A.	180
25/R/5	4 $\frac{1}{2}$	4 $\frac{1}{2}$	5 $\frac{3}{8}$	3	3 $\frac{1}{2}$	$\frac{1}{2}$ B.S.F.	
25/R/6	4 $\frac{3}{8}$	4 $\frac{1}{2}$	5 $\frac{3}{8}$	3 $\frac{1}{2}$	3 $\frac{3}{8}$	$\frac{1}{2}$ B.S.F.	
25/R/7	4 $\frac{3}{8}$	4 $\frac{1}{2}$	5 $\frac{3}{8}$	3 $\frac{1}{2}$	3 $\frac{3}{8}$	$\frac{1}{2}$ B.S.F.	
25/R/8	4 $\frac{3}{8}$	4 $\frac{1}{2}$	5 $\frac{3}{8}$	3 $\frac{1}{2}$	3 $\frac{3}{8}$	$\frac{1}{2}$ B.S.F.	180
25/R/9	5 $\frac{1}{4}$	4 $\frac{1}{2}$	5 $\frac{3}{8}$	4	3 $\frac{3}{8}$	$\frac{1}{2}$ B.S.F.	200
245/R/6	4 $\frac{3}{8}$	4 $\frac{1}{2}$	6 $\frac{3}{8}$	3 $\frac{1}{2}$	3 $\frac{1}{8}$	$\frac{1}{2}$ B.S.F.	
245/R/7	5	4 $\frac{1}{2}$	6 $\frac{3}{8}$	3 $\frac{1}{2}$	3 $\frac{1}{8}$	$\frac{1}{2}$ B.S.F.	220
245/R/8	5 $\frac{1}{4}$	4 $\frac{1}{2}$	6 $\frac{3}{8}$	3 $\frac{1}{2}$	3 $\frac{1}{8}$	$\frac{1}{2}$ B.S.F.	245
245/R/9	5 $\frac{1}{2}$	4 $\frac{1}{2}$	6 $\frac{3}{8}$	4	3 $\frac{1}{8}$	$\frac{1}{2}$ B.S.F.	280
45/R/7	5 $\frac{1}{2}$	5 $\frac{1}{4}$	7 $\frac{1}{8}$	3 $\frac{3}{8}$	4 $\frac{1}{2}$	$\frac{1}{2}$ B.S.F.	
45/R/8	5 $\frac{1}{2}$	5 $\frac{1}{4}$	7 $\frac{1}{8}$	3 $\frac{1}{2}$	4 $\frac{1}{2}$	$\frac{1}{2}$ B.S.F.	350
45/R/9	6	5 $\frac{1}{4}$	7 $\frac{1}{8}$	3 $\frac{1}{2}$	4 $\frac{1}{2}$	$\frac{1}{2}$ B.S.F.	450
45/R/10	6 $\frac{1}{4}$	5 $\frac{1}{4}$	7 $\frac{1}{8}$	4 $\frac{1}{8}$	4 $\frac{1}{2}$	$\frac{1}{2}$ B.S.F.	550
78/R/7	5 $\frac{1}{2}$	6 $\frac{1}{4}$	7 $\frac{1}{8}$	3 $\frac{1}{2}$	5 $\frac{1}{8}$	$\frac{1}{2}$ B.S.F.	
78/R/8	5 $\frac{3}{8}$	6 $\frac{1}{4}$	7 $\frac{1}{8}$	3 $\frac{1}{2}$	5 $\frac{1}{8}$	$\frac{1}{2}$ B.S.F.	
78/R/9	6	6 $\frac{1}{4}$	7 $\frac{1}{8}$	4	5 $\frac{1}{8}$	$\frac{1}{2}$ B.S.F.	600
78/R/10	6 $\frac{1}{4}$	6 $\frac{1}{4}$	7 $\frac{1}{8}$	4 $\frac{1}{2}$	5 $\frac{1}{8}$	$\frac{1}{2}$ B.S.F.	650
78/R/13	7	6 $\frac{1}{4}$	7 $\frac{1}{8}$	5	5 $\frac{1}{8}$	$\frac{1}{2}$ B.S.F.	750
41/R/10	7	7 $\frac{1}{4}$	9 $\frac{1}{2}$	4 $\frac{1}{2}$	6	$\frac{1}{2}$ B.S.F.	850
41/R/13	7 $\frac{1}{2}$	7 $\frac{1}{4}$	9 $\frac{1}{2}$	5 $\frac{1}{2}$	6	$\frac{1}{2}$ B.S.F.	1200
41/R/16	8 $\frac{1}{2}$	7 $\frac{1}{4}$	9 $\frac{1}{2}$	6 $\frac{1}{2}$	6	$\frac{1}{2}$ B.S.F.	
41/R/18	9	7 $\frac{1}{4}$	9 $\frac{1}{2}$	6 $\frac{3}{4}$	6	$\frac{1}{2}$ B.S.F.	
41/R/20	9 $\frac{1}{2}$	7 $\frac{1}{4}$	9 $\frac{1}{2}$	7 $\frac{1}{4}$	6	$\frac{1}{2}$ B.S.F.	
41/R/24	10 $\frac{1}{2}$	7 $\frac{1}{4}$	9 $\frac{1}{2}$	8 $\frac{1}{4}$	6	$\frac{1}{2}$ B.S.F.	



Avon "A" Series Mounting Style F

To BSS 2214

A standard open type inverted assembly for general use to BSS 2214, Group 10/55, H.3. The windings are vacuum/pressure impregnated with a thermo-setting oil-based varnish, and the complete assemblies are enveloped in a sealing coat of black Alkyd-based resin.

Overall height variations :

Solder Tags add $\frac{1}{4}$ " to dimension 'C'

Porcelain Inserts
add $\frac{1}{2}$ " to dimension 'C'

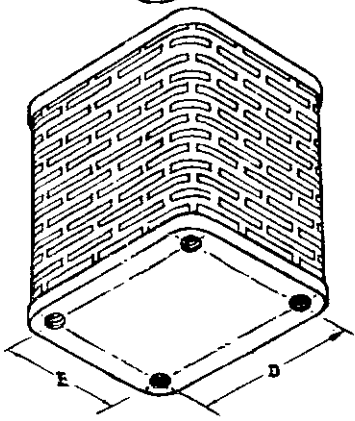
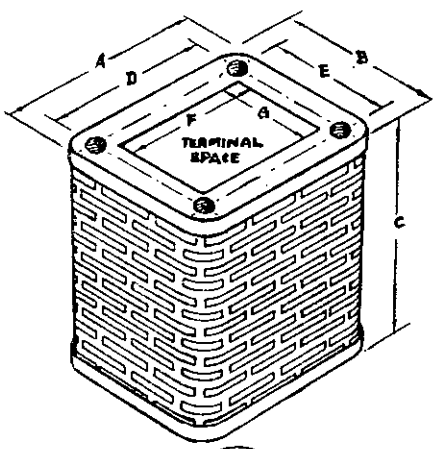
Heavy Current Lugs
add $\frac{1}{4}$ " to dimension 'C'

Semi-shrouded Terminal Blocks
add $\frac{1}{4}$ " to dimension 'C'

All dimensions shown on this drawing are in inches.

Size	Dimensions $\pm 1/32$ "			Fixing Centre Dimensions		Fixing Bolt Size	VA Rating at 50 c.p.s.
	A	B	C	D	E		
12/F/3	2 $\frac{1}{8}$	2 $\frac{3}{8}$	2 $\frac{1}{8}$	1 $\frac{3}{8}$	2 $\frac{1}{8}$	4 B.A.	4
12/F/4	2 $\frac{3}{8}$	2 $\frac{3}{8}$	2 $\frac{1}{8}$	1 $\frac{3}{8}$	2 $\frac{1}{8}$	4 B.A.	6
12/F/5	2 $\frac{3}{8}$	2 $\frac{3}{8}$	2 $\frac{1}{8}$	2 $\frac{1}{8}$	2 $\frac{1}{8}$	4 B.A.	8
12/F/6	3	2 $\frac{3}{8}$	2 $\frac{1}{8}$	2 $\frac{3}{8}$	2 $\frac{1}{8}$	4 B.A.	12
116/F/3	2 $\frac{1}{8}$	3	2 $\frac{3}{8}$	1 $\frac{11}{16}$	2 $\frac{3}{8}$	4 B.A.	
116/F/4	2 $\frac{3}{8}$	3	2 $\frac{3}{8}$	2 $\frac{1}{8}$	2 $\frac{3}{8}$	4 B.A.	
116/F/5	3	3	2 $\frac{3}{8}$	2 $\frac{1}{8}$	2 $\frac{3}{8}$	4 B.A.	15
116/F/6	3 $\frac{1}{4}$	3	2 $\frac{3}{8}$	2 $\frac{1}{8}$	2 $\frac{3}{8}$	4 B.A.	24
84/F/3	2 $\frac{1}{8}$	3 $\frac{1}{4}$	3	1 $\frac{11}{16}$	2 $\frac{11}{16}$	4 B.A.	
84/F/4	2 $\frac{3}{8}$	3 $\frac{1}{4}$	3	2 $\frac{1}{8}$	2 $\frac{11}{16}$	4 B.A.	
84/F/5	3	3 $\frac{1}{4}$	3	2 $\frac{1}{8}$	2 $\frac{11}{16}$	4 B.A.	27
84/F/6	3 $\frac{1}{4}$	3 $\frac{1}{4}$	3	2 $\frac{1}{8}$	2 $\frac{11}{16}$	4 B.A.	30
42/F/4	3	3 $\frac{3}{8}$	3	2 $\frac{1}{8}$	3 $\frac{1}{8}$	4 B.A.	
42/F/5	3 $\frac{1}{4}$	3 $\frac{3}{8}$	3	2 $\frac{1}{8}$	3 $\frac{1}{8}$	4 B.A.	36
42/F/6	3 $\frac{1}{2}$	3 $\frac{3}{8}$	3	2 $\frac{1}{8}$	3 $\frac{1}{8}$	4 B.A.	42
4/F/4	3	3 $\frac{3}{8}$	3 $\frac{11}{16}$	2 $\frac{1}{8}$	3 $\frac{1}{8}$	4 B.A.	
4/F/5	3 $\frac{1}{4}$	3 $\frac{3}{8}$	3 $\frac{11}{16}$	2 $\frac{1}{8}$	3 $\frac{1}{8}$	4 B.A.	52
4/F/6	3 $\frac{1}{2}$	3 $\frac{3}{8}$	3 $\frac{11}{16}$	2 $\frac{1}{8}$	3 $\frac{1}{8}$	4 B.A.	65
26/F/4	3 $\frac{3}{8}$	4	4 $\frac{1}{8}$	2 $\frac{1}{2}$	3 $\frac{1}{2}$	2 B.A.	
26/F/5	3 $\frac{3}{8}$	4	4 $\frac{1}{8}$	2 $\frac{1}{2}$	3 $\frac{1}{2}$	2 B.A.	
26/F/6	3 $\frac{3}{8}$	4	4 $\frac{1}{8}$	2 $\frac{3}{4}$	3 $\frac{1}{2}$	2 B.A.	85
26/F/7	4 $\frac{1}{8}$	4	4 $\frac{1}{8}$	3	3 $\frac{1}{2}$	2 B.A.	100
60/F/5	3 $\frac{3}{8}$	4 $\frac{1}{2}$	4 $\frac{3}{8}$	2 $\frac{1}{2}$	3 $\frac{3}{8}$	2 B.A.	
60/F/6	4	4 $\frac{1}{2}$	4 $\frac{3}{8}$	2 $\frac{3}{4}$	3 $\frac{3}{8}$	2 B.A.	100
60/F/7	4 $\frac{1}{4}$	4 $\frac{1}{2}$	4 $\frac{3}{8}$	3	3 $\frac{3}{8}$	2 B.A.	125
60/F/8	4 $\frac{1}{4}$	4 $\frac{1}{2}$	4 $\frac{3}{8}$	3 $\frac{1}{2}$	3 $\frac{3}{8}$	2 B.A.	145
60/F/9	4 $\frac{3}{8}$	4 $\frac{1}{2}$	4 $\frac{3}{8}$	3 $\frac{1}{2}$	3 $\frac{3}{8}$	2 B.A.	180
25/F/5	4 $\frac{1}{8}$	5	4 $\frac{3}{8}$	3	4 $\frac{3}{8}$	$\frac{1}{2}$ B.S.F.	
25/F/6	4 $\frac{3}{8}$	5	4 $\frac{3}{8}$	3 $\frac{1}{4}$	4 $\frac{3}{8}$	$\frac{1}{2}$ B.S.F.	
25/F/7	4 $\frac{3}{8}$	5	4 $\frac{3}{8}$	3 $\frac{1}{2}$	4 $\frac{3}{8}$	$\frac{1}{2}$ B.S.F.	
25/F/8	4 $\frac{3}{8}$	5	4 $\frac{3}{8}$	3 $\frac{3}{4}$	4 $\frac{3}{8}$	$\frac{1}{2}$ B.S.F.	180
25/F/9	5 $\frac{1}{4}$	5	4 $\frac{3}{8}$	4	4 $\frac{3}{8}$	$\frac{1}{2}$ B.S.F.	200
245/F/6	4 $\frac{3}{8}$	5 $\frac{1}{2}$	5 $\frac{3}{8}$	3 $\frac{1}{2}$	4 $\frac{11}{16}$	$\frac{1}{2}$ B.S.F.	
245/F/7	5	5 $\frac{1}{2}$	5 $\frac{3}{8}$	3 $\frac{3}{4}$	4 $\frac{11}{16}$	$\frac{1}{2}$ B.S.F.	220
245/F/8	5 $\frac{1}{4}$	5 $\frac{1}{2}$	5 $\frac{3}{8}$	3 $\frac{3}{4}$	4 $\frac{11}{16}$	$\frac{1}{2}$ B.S.F.	245
245/F/9	5 $\frac{1}{2}$	5 $\frac{1}{2}$	5 $\frac{3}{8}$	4	4 $\frac{11}{16}$	$\frac{1}{2}$ B.S.F.	280
45/F/7	5 $\frac{1}{2}$	6 $\frac{1}{4}$	6 $\frac{1}{4}$	3 $\frac{7}{8}$	5 $\frac{1}{2}$	$\frac{1}{2}$ B.S.F.	
45/F/8	5 $\frac{3}{4}$	6 $\frac{1}{4}$	6 $\frac{1}{4}$	3 $\frac{7}{8}$	5 $\frac{1}{2}$	$\frac{1}{2}$ B.S.F.	350
45/F/9	6	6 $\frac{1}{4}$	6 $\frac{1}{4}$	3 $\frac{7}{8}$	5 $\frac{1}{2}$	$\frac{1}{2}$ B.S.F.	450
45/F/10	6 $\frac{1}{4}$	6 $\frac{1}{4}$	6 $\frac{1}{4}$	4 $\frac{1}{8}$	5 $\frac{1}{2}$	$\frac{1}{2}$ B.S.F.	550
78/F/7	5 $\frac{1}{2}$	6 $\frac{3}{4}$	7 $\frac{3}{8}$	3 $\frac{1}{2}$	5 $\frac{3}{8}$	$\frac{1}{2}$ B.S.F.	
78/F/8	5 $\frac{3}{4}$	6 $\frac{3}{4}$	7 $\frac{3}{8}$	3 $\frac{3}{4}$	5 $\frac{3}{8}$	$\frac{1}{2}$ B.S.F.	
78/F/9	6	6 $\frac{3}{4}$	7 $\frac{3}{8}$	4	5 $\frac{3}{8}$	$\frac{1}{2}$ B.S.F.	600
78/F/10	6 $\frac{1}{4}$	6 $\frac{3}{4}$	7 $\frac{3}{8}$	4 $\frac{1}{4}$	5 $\frac{3}{8}$	$\frac{1}{2}$ B.S.F.	650
78/F/13	7	6 $\frac{3}{4}$	7 $\frac{3}{8}$	5	5 $\frac{3}{8}$	$\frac{1}{2}$ B.S.F.	750
41/F/10	7	8 $\frac{1}{4}$	8 $\frac{1}{4}$	4 $\frac{3}{8}$	7 $\frac{1}{2}$	$\frac{1}{2}$ B.S.F.	850
41/F/13	7 $\frac{1}{4}$	8 $\frac{1}{4}$	8 $\frac{1}{4}$	5 $\frac{1}{8}$	7 $\frac{1}{2}$	$\frac{1}{2}$ B.S.F.	1200
41/F/16	8 $\frac{1}{4}$	8 $\frac{1}{4}$	8 $\frac{1}{4}$	6 $\frac{1}{4}$	7 $\frac{1}{2}$	$\frac{1}{2}$ B.S.F.	
41/F/18	9	8 $\frac{1}{4}$	8 $\frac{1}{4}$	6 $\frac{3}{4}$	7 $\frac{1}{2}$	$\frac{1}{2}$ B.S.F.	
41/F/20	9 $\frac{1}{2}$	8 $\frac{1}{4}$	8 $\frac{1}{4}$	7 $\frac{1}{4}$	7 $\frac{1}{2}$	$\frac{1}{2}$ B.S.F.	
41/F/24	10 $\frac{1}{2}$	8 $\frac{1}{4}$	8 $\frac{1}{4}$	8 $\frac{1}{4}$	7 $\frac{1}{2}$	$\frac{1}{2}$ B.S.F.	

HENGIST SERIES Universal Mounting



Hengist Series Universal Mounting

A robust assembly particularly suitable for incorporation in short production runs of high grade electronic equipment. The design is registered (Design registration 59487/859488) and provides for upright or inverted mounting with fixing bosses at each end of the container. The windings comply with BSS.2214, Group 10/55, and are vacuum/pressure impregnated with thermo-setting oil-based varnish and enveloped in black alkyd-based resin.

- Solder Tags**
increase height dimension 'C' by $\frac{1}{4}$ "
- Porcelain Inserts**
increase height dimension 'C' by $\frac{1}{4}$ "
- Heavy Current Lugs**
increase height dimension 'C' by $\frac{1}{2}$ "
- Semi-shrouded Terminal Blocks**
increase height dimension 'C' by $\frac{3}{8}$ "

All dimensions shown on this drawing are in inches.

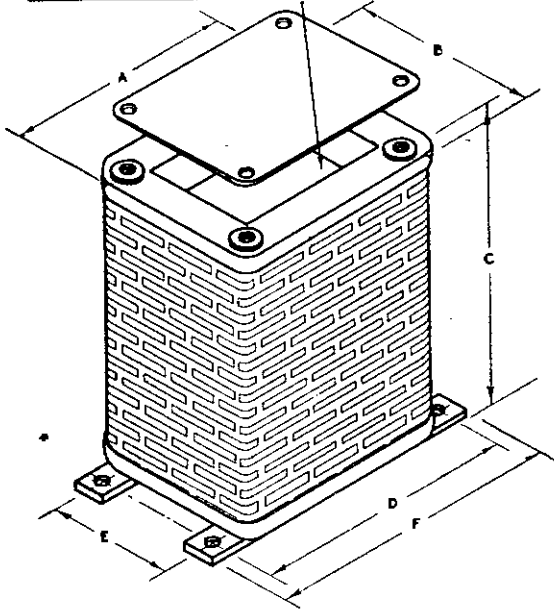
Size	Dimensions			Fixing Centre Dimensions		Chassis Cut-out Dimensions		Fixing Bolt Size	VA Rating at 50 c.p.s.
	A	B	C	D	E	F	G		
12/U/3	3	2	3 $\frac{7}{8}$	2 $\frac{5}{8}$	1 $\frac{1}{8}$	1 $\frac{1}{8}$	1 $\frac{1}{8}$	2 B.A.	4
12/U/4	3	2	3 $\frac{7}{8}$	2 $\frac{5}{8}$	1 $\frac{1}{8}$	1 $\frac{1}{8}$	1 $\frac{1}{8}$	2 B.A.	6
12/U/5	3	2	3 $\frac{7}{8}$	2 $\frac{5}{8}$	1 $\frac{1}{8}$	1 $\frac{1}{8}$	1 $\frac{1}{8}$	2 B.A.	8
12/U/6	3	2	4 $\frac{1}{8}$	2 $\frac{5}{8}$	1 $\frac{1}{8}$	1 $\frac{1}{8}$	1 $\frac{1}{8}$	2 B.A.	12
116/U/3	3 $\frac{1}{8}$	2 $\frac{1}{4}$	3 $\frac{7}{8}$	2 $\frac{5}{8}$	1 $\frac{1}{2}$	2 $\frac{1}{4}$	1 $\frac{1}{8}$	2 B.A.	
116/U/4	3 $\frac{1}{8}$	2 $\frac{1}{4}$	3 $\frac{1}{8}$	2 $\frac{3}{4}$	1 $\frac{1}{2}$	2 $\frac{1}{4}$	1 $\frac{1}{8}$	2 B.A.	
116/U/5	3 $\frac{1}{8}$	2 $\frac{1}{4}$	3 $\frac{1}{8}$	2 $\frac{3}{4}$	1 $\frac{1}{2}$	2 $\frac{1}{4}$	1 $\frac{1}{8}$	2 B.A.	15
116/U/6	3 $\frac{1}{8}$	2 $\frac{1}{4}$	4 $\frac{3}{8}$	2 $\frac{3}{4}$	1 $\frac{1}{2}$	2 $\frac{1}{4}$	1 $\frac{1}{8}$	2 B.A.	24
84/U/3	3 $\frac{1}{8}$	2 $\frac{1}{8}$	3 $\frac{7}{8}$	2 $\frac{1}{8}$	2 $\frac{1}{8}$	2 $\frac{1}{8}$	1 $\frac{1}{8}$	2 B.A.	
84/U/4	3 $\frac{1}{8}$	2 $\frac{1}{8}$	3 $\frac{1}{8}$	2 $\frac{1}{8}$	2 $\frac{1}{8}$	2 $\frac{1}{8}$	1 $\frac{1}{8}$	2 B.A.	
84/U/5	3 $\frac{1}{8}$	2 $\frac{1}{8}$	3 $\frac{1}{8}$	2 $\frac{1}{8}$	2 $\frac{1}{8}$	2 $\frac{1}{8}$	1 $\frac{1}{8}$	2 B.A.	
84/U/6	3 $\frac{1}{8}$	2 $\frac{1}{8}$	4 $\frac{1}{8}$	2 $\frac{1}{8}$	2 $\frac{1}{8}$	2 $\frac{1}{8}$	1 $\frac{1}{8}$	2 B.A.	27
42/U/4	3 $\frac{1}{8}$	2 $\frac{1}{8}$	3 $\frac{1}{8}$	3 $\frac{1}{8}$	2 $\frac{1}{8}$	2 $\frac{1}{8}$	1 $\frac{1}{8}$	2 B.A.	
42/U/5	3 $\frac{1}{8}$	2 $\frac{1}{8}$	4 $\frac{1}{8}$	3 $\frac{1}{8}$	2 $\frac{1}{8}$	2 $\frac{1}{8}$	1 $\frac{1}{8}$	2 B.A.	36
42/U/6	3 $\frac{1}{8}$	2 $\frac{1}{8}$	4 $\frac{1}{8}$	3 $\frac{1}{8}$	2 $\frac{1}{8}$	2 $\frac{1}{8}$	1 $\frac{1}{8}$	2 B.A.	42
4/U/4	3 $\frac{1}{8}$	3 $\frac{1}{8}$	3 $\frac{1}{8}$	3 $\frac{1}{8}$	2 $\frac{1}{4}$	2 $\frac{1}{4}$	2 $\frac{1}{8}$	2 B.A.	
4/U/5	3 $\frac{1}{8}$	3 $\frac{1}{8}$	4 $\frac{1}{8}$	3 $\frac{1}{8}$	2 $\frac{1}{4}$	2 $\frac{1}{4}$	2 $\frac{1}{8}$	2 B.A.	52
4/U/6	3 $\frac{1}{8}$	3 $\frac{1}{8}$	4 $\frac{1}{8}$	3 $\frac{1}{8}$	2 $\frac{1}{4}$	2 $\frac{1}{4}$	2 $\frac{1}{8}$	2 B.A.	65
26/U/4	4 $\frac{1}{8}$	3 $\frac{1}{4}$	4 $\frac{1}{8}$	3 $\frac{1}{2}$	2 $\frac{1}{4}$	3 $\frac{1}{8}$	2 $\frac{1}{2}$	2 B.A.	
26/U/5	4 $\frac{1}{8}$	3 $\frac{1}{4}$	4 $\frac{1}{8}$	3 $\frac{1}{2}$	2 $\frac{1}{4}$	3 $\frac{1}{8}$	2 $\frac{1}{2}$	2 B.A.	70
26/U/6	4 $\frac{1}{8}$	3 $\frac{1}{4}$	4 $\frac{1}{8}$	3 $\frac{1}{2}$	2 $\frac{1}{4}$	3 $\frac{1}{8}$	2 $\frac{1}{2}$	2 B.A.	85
26/U/7	4 $\frac{1}{8}$	3 $\frac{1}{4}$	4 $\frac{1}{8}$	3 $\frac{1}{2}$	2 $\frac{1}{4}$	3 $\frac{1}{8}$	2 $\frac{1}{2}$	2 B.A.	100
60/U/5	4 $\frac{1}{8}$	4 $\frac{1}{8}$	4 $\frac{1}{8}$	3 $\frac{1}{8}$	3 $\frac{1}{8}$	3 $\frac{1}{8}$	2 $\frac{1}{8}$	$\frac{1}{4}$ B.S.F.	
60/U/6	4 $\frac{1}{8}$	4 $\frac{1}{8}$	4 $\frac{1}{8}$	3 $\frac{1}{8}$	3 $\frac{1}{8}$	3 $\frac{1}{8}$	2 $\frac{1}{8}$	$\frac{1}{4}$ B.S.F.	93
60/U/7	4 $\frac{1}{8}$	4 $\frac{1}{8}$	4 $\frac{1}{8}$	3 $\frac{1}{8}$	3 $\frac{1}{8}$	3 $\frac{1}{8}$	2 $\frac{1}{8}$	$\frac{1}{4}$ B.S.F.	110
60/U/8	4 $\frac{1}{8}$	4 $\frac{1}{8}$	5 $\frac{1}{8}$	3 $\frac{1}{8}$	3 $\frac{1}{8}$	3 $\frac{1}{8}$	2 $\frac{1}{8}$	$\frac{1}{4}$ B.S.F.	135
60/U/9	4 $\frac{1}{8}$	4 $\frac{1}{8}$	5 $\frac{1}{8}$	3 $\frac{1}{8}$	3 $\frac{1}{8}$	3 $\frac{1}{8}$	2 $\frac{1}{8}$	$\frac{1}{4}$ B.S.F.	170
25/U/5	5 $\frac{1}{8}$	4 $\frac{1}{8}$	4 $\frac{1}{8}$	4 $\frac{1}{8}$	3 $\frac{1}{8}$	3 $\frac{1}{8}$	3 $\frac{1}{8}$	$\frac{1}{4}$ B.S.F.	
25/U/6	5 $\frac{1}{8}$	4 $\frac{1}{8}$	5 $\frac{1}{8}$	4 $\frac{1}{8}$	3 $\frac{1}{8}$	3 $\frac{1}{8}$	3 $\frac{1}{8}$	$\frac{1}{4}$ B.S.F.	
25/U/7	5 $\frac{1}{8}$	4 $\frac{1}{8}$	5 $\frac{1}{8}$	4 $\frac{1}{8}$	3 $\frac{1}{8}$	3 $\frac{1}{8}$	3 $\frac{1}{8}$	$\frac{1}{4}$ B.S.F.	
25/U/8	5 $\frac{1}{8}$	4 $\frac{1}{8}$	5 $\frac{1}{8}$	4 $\frac{1}{8}$	3 $\frac{1}{8}$	3 $\frac{1}{8}$	3 $\frac{1}{8}$	$\frac{1}{4}$ B.S.F.	180
25/U/9	5 $\frac{1}{8}$	4 $\frac{1}{8}$	5 $\frac{1}{8}$	4 $\frac{1}{8}$	3 $\frac{1}{8}$	3 $\frac{1}{8}$	3 $\frac{1}{8}$	$\frac{1}{4}$ B.S.F.	195
245/U/6	5 $\frac{1}{8}$	4 $\frac{1}{8}$	5 $\frac{1}{8}$	4 $\frac{1}{8}$	3 $\frac{1}{8}$	4 $\frac{1}{8}$	3 $\frac{1}{8}$	$\frac{1}{8}$ B.S.F.	
245/U/7	5 $\frac{1}{8}$	4 $\frac{1}{8}$	5 $\frac{1}{8}$	4 $\frac{1}{8}$	3 $\frac{1}{8}$	4 $\frac{1}{8}$	3 $\frac{1}{8}$	$\frac{1}{8}$ B.S.F.	220
245/U/8	5 $\frac{1}{8}$	4 $\frac{1}{8}$	5 $\frac{1}{8}$	4 $\frac{1}{8}$	3 $\frac{1}{8}$	4 $\frac{1}{8}$	3 $\frac{1}{8}$	$\frac{1}{8}$ B.S.F.	245
245/U/9	5 $\frac{1}{8}$	4 $\frac{1}{8}$	6 $\frac{1}{8}$	4 $\frac{1}{8}$	3 $\frac{1}{8}$	4 $\frac{1}{8}$	3 $\frac{1}{8}$	$\frac{1}{8}$ B.S.F.	280
45/U/7	6 $\frac{1}{8}$	5 $\frac{1}{8}$	6 $\frac{1}{8}$	5 $\frac{1}{8}$	4 $\frac{1}{8}$	4 $\frac{1}{8}$	3 $\frac{1}{8}$	$\frac{1}{8}$ B.S.F.	
45/U/8	6 $\frac{1}{8}$	5 $\frac{1}{8}$	6 $\frac{1}{8}$	5 $\frac{1}{8}$	4 $\frac{1}{8}$	4 $\frac{1}{8}$	3 $\frac{1}{8}$	$\frac{1}{8}$ B.S.F.	325
45/U/9	6 $\frac{1}{8}$	5 $\frac{1}{8}$	6 $\frac{1}{8}$	5 $\frac{1}{8}$	4 $\frac{1}{8}$	4 $\frac{1}{8}$	3 $\frac{1}{8}$	$\frac{1}{8}$ B.S.F.	440
45/U/10	6 $\frac{1}{8}$	5 $\frac{1}{8}$	6 $\frac{1}{8}$	5 $\frac{1}{8}$	4 $\frac{1}{8}$	4 $\frac{1}{8}$	3 $\frac{1}{8}$	$\frac{1}{8}$ B.S.F.	520
78/U/7	7 $\frac{1}{4}$	7 $\frac{1}{4}$	6 $\frac{1}{8}$	5 $\frac{1}{8}$	5 $\frac{1}{8}$	5 $\frac{1}{8}$	5 $\frac{1}{8}$	$\frac{1}{8}$ B.S.F.	
78/U/8	7 $\frac{1}{4}$	7 $\frac{1}{4}$	6 $\frac{1}{8}$	5 $\frac{1}{8}$	5 $\frac{1}{8}$	5 $\frac{1}{8}$	5 $\frac{1}{8}$	$\frac{1}{8}$ B.S.F.	
78/U/9	7 $\frac{1}{4}$	7 $\frac{1}{4}$	6 $\frac{1}{8}$	5 $\frac{1}{8}$	5 $\frac{1}{8}$	5 $\frac{1}{8}$	5 $\frac{1}{8}$	$\frac{1}{8}$ B.S.F.	560
78/U/10	7 $\frac{1}{4}$	7 $\frac{1}{4}$	6 $\frac{1}{8}$	5 $\frac{1}{8}$	5 $\frac{1}{8}$	5 $\frac{1}{8}$	5 $\frac{1}{8}$	$\frac{1}{8}$ B.S.F.	620
78/U/13	7 $\frac{1}{4}$	7 $\frac{1}{4}$	7 $\frac{1}{8}$	5 $\frac{1}{8}$	5 $\frac{1}{8}$	5 $\frac{1}{8}$	5 $\frac{1}{8}$	$\frac{1}{8}$ B.S.F.	
78/U/18	7 $\frac{1}{4}$	7 $\frac{1}{4}$	8 $\frac{1}{8}$	5 $\frac{1}{8}$	5 $\frac{1}{8}$	5 $\frac{1}{8}$	5 $\frac{1}{8}$	$\frac{1}{8}$ B.S.F.	
41/U/10	9 $\frac{1}{4}$	7 $\frac{1}{4}$	8 $\frac{1}{8}$	7 $\frac{1}{4}$	6	6 $\frac{1}{4}$	5	$\frac{1}{8}$ B.S.F.	680
41/U/13	9 $\frac{1}{4}$	7 $\frac{1}{4}$	9 $\frac{1}{8}$	7 $\frac{1}{4}$	6	6 $\frac{1}{4}$	5	$\frac{1}{8}$ B.S.F.	1000
41/U/16	9 $\frac{1}{4}$	7 $\frac{1}{4}$	9 $\frac{1}{8}$	7 $\frac{1}{4}$	6	6 $\frac{1}{4}$	5	$\frac{1}{8}$ B.S.F.	
41/U/18	9 $\frac{1}{4}$	7 $\frac{1}{4}$	10 $\frac{1}{8}$	7 $\frac{1}{4}$	6	6 $\frac{1}{4}$	5	$\frac{1}{8}$ B.S.F.	
41/U/20	9 $\frac{1}{4}$	7 $\frac{1}{4}$	10 $\frac{1}{8}$	7 $\frac{1}{4}$	6	6 $\frac{1}{4}$	5	$\frac{1}{8}$ B.S.F.	
41/U/24	9 $\frac{1}{4}$	7 $\frac{1}{4}$	11 $\frac{1}{8}$	7 $\frac{1}{4}$	6	6 $\frac{1}{4}$	5	$\frac{1}{8}$ B.S.F.	



TWYNHAM SERIES

Totally enclosed with Conduit Entry

TERMINAL PANEL RECESSED BELOW COVER PLATE



Twynham Series

Totally enclosed with Conduit Entry

To BSS 2214, Gp. 10/55 H.3

An air ventilated fully protected type of construction suitable for industrial auto or double wound voltage changing transformers. Normally used for low voltage lighting, isolating a supply from the main power source, or providing a non-standard voltage supply. Supplied with conduit entry and exit as standard but, if required, can be supplied with flex lead input and three-pin socket for the output. The assembly can also be supplied with carrying handles. Windings are vacuum/pressure impregnated with thermo-setting varnish, and enveloped in black Alkyd-based resin.

All dimensions shown on this drawing are in inches.

Size	Dimensions			Fixing Centre Dimensions		Overall Width F	Fixing Bolt Size G	VA Rating at 50 c.p.s.
	A	B	C	D	E			
12/AT/3	3	2	4 3/8	3 1/2	1 5/8	4	2 B.A.	4
12/AT/4	3	2	4 3/8	3 1/2	1 5/8	4	2 B.A.	6
12/AT/5	3	2	4 7/8	3 1/2	1 5/8	4	2 B.A.	8
12/AT/6	3	2	5 1/8	3 1/2	1 5/8	4	2 B.A.	12
116/AT/3	3 1/2	2 1/4	4 11/8	3 7/8	1 1/2	4 3/8	2 B.A.	
116/AT/4	3 3/8	2 1/4	5 1/8	3 7/8	1 1/2	4 3/8	2 B.A.	
116/AT/5	3 3/8	2 1/4	5 5/8	3 7/8	1 1/2	4 3/8	2 B.A.	15
116/AT/6	3 3/8	2 1/4	5 9/8	3 7/8	1 1/2	4 3/8	2 B.A.	24
84/AT/3	3 3/8	2 7/8	4 11/8	4 1/8	2 1/8	4 3/8	2 B.A.	
84/AT/4	3 3/8	2 7/8	5 1/8	4 1/8	2 1/8	4 3/8	2 B.A.	
84/AT/5	3 3/8	2 7/8	5 5/8	4 1/8	2 1/8	4 3/8	2 B.A.	30
84/AT/6	3 3/8	2 7/8	5 9/8	4 1/8	2 1/8	4 3/8	2 B.A.	35
42/AT/4	3 11/8	2 1/8	5 5/8	4 7/8	2 1/8	4 11/8	2 B.A.	
42/AT/5	3 11/8	2 1/8	5 9/8	4 7/8	2 1/8	4 11/8	2 B.A.	36
42/AT/6	3 11/8	2 1/8	5 11/8	4 7/8	2 1/8	4 11/8	2 B.A.	42
4/AT/4	3 11/8	3 9/8	5 5/8	4 7/8	2 1/4	4 11/8	2 B.A.	
4/AT/5	3 11/8	3 9/8	5 9/8	4 7/8	2 1/4	4 11/8	2 B.A.	56
4/AT/6	3 11/8	3 9/8	5 11/8	4 7/8	2 1/4	4 11/8	2 B.A.	70
26/AT/4	4 3/8	3 1/4	5 9/8	4 7/8	2 7/8	5 1/8	2 B.A.	
26/AT/5	4 3/8	3 1/4	5 11/8	4 7/8	2 7/8	5 1/8	2 B.A.	75
26/AT/6	4 3/8	3 1/4	6 1/8	4 7/8	2 7/8	5 1/8	2 B.A.	90
26/AT/7	4 3/8	3 1/4	6 5/8	4 7/8	2 7/8	5 1/8	2 B.A.	110
60/AT/5	4 3/8	4 3/8	6	5 3/8	3 3/8	6 3/8	1/2 B.S.F.	
60/AT/6	4 3/8	4 3/8	6 1/4	5 3/8	3 3/8	6 3/8	1/2 B.S.F.	100
60/AT/7	4 3/8	4 3/8	6 1/2	5 3/8	3 3/8	6 3/8	1/2 B.S.F.	120
60/AT/8	4 3/8	4 3/8	6 3/4	5 3/8	3 3/8	6 3/8	1/2 B.S.F.	140
60/AT/9	4 3/8	4 3/8	7	5 3/8	3 3/8	6 3/8	1/2 B.S.F.	170
25/AT/5	5 3/8	4 5/8	6 1/2	6 3/8	3 3/8	6 3/8	1/2 B.S.F.	
25/AT/6	5 3/8	4 5/8	6 3/4	6 3/8	3 3/8	6 3/8	1/2 B.S.F.	
25/AT/7	5 3/8	4 5/8	7	6 3/8	3 3/8	6 3/8	1/2 B.S.F.	
25/AT/8	5 3/8	4 5/8	7 1/4	6 3/8	3 3/8	6 3/8	1/2 B.S.F.	180
25/AT/9	5 3/8	4 5/8	7 1/2	6 3/8	3 3/8	6 3/8	1/2 B.S.F.	200
245/AT/6	5 3/8	4 7/8	7	6 7/8	3 3/8	7 3/8	5/8 B.S.F.	
245/AT/7	5 3/8	4 7/8	7 1/4	6 7/8	3 3/8	7 3/8	5/8 B.S.F.	220
245/AT/8	5 3/8	4 7/8	7 1/2	6 7/8	3 3/8	7 3/8	5/8 B.S.F.	245
245/AT/9	5 3/8	4 7/8	7 3/4	6 7/8	3 3/8	7 3/8	5/8 B.S.F.	280
45/AT/7	6 1/8	5 1/8	7 1/4	7 3/8	4 1/2	8 3/8	5/8 B.S.F.	
45/AT/8	6 1/8	5 1/8	8	7 3/8	4 1/2	8 3/8	5/8 B.S.F.	350
45/AT/9	6 1/8	5 1/8	8 1/4	7 3/8	4 1/2	8 3/8	5/8 B.S.F.	460
45/AT/10	6 1/8	5 1/8	8 1/2	7 3/8	4 1/2	8 3/8	5/8 B.S.F.	600
78/AT/7	7 1/4	7 1/4	7 1/4	8 1/4	5 7/8	9 1/4	5/8 B.S.F.	
78/AT/8	7 1/4	7 1/4	8	8 1/4	5 7/8	9 1/4	5/8 B.S.F.	
78/AT/9	7 1/4	7 1/4	8 1/4	8 1/4	5 7/8	9 1/4	5/8 B.S.F.	560
78/AT/10	7 1/4	7 1/4	8 1/2	8 1/4	5 7/8	9 1/4	5/8 B.S.F.	650
78/AT/13	7 1/4	7 1/4	9 1/4	8 1/4	5 7/8	9 1/4	5/8 B.S.F.	
78/AT/18	7 1/4	7 1/4	10 1/4	8 1/4	5 7/8	9 1/4	5/8 B.S.F.	
41/AT/10	9 1/4	7 1/2	10 5/8	10 1/2	6	11 1/4	1/2 B.S.F.	720
41/AT/13	9 1/4	7 1/2	11 1/8	10 1/2	6	11 1/4	1/2 B.S.F.	1000
41/AT/16	9 1/4	7 1/2	11 1/2	10 1/2	6	11 1/4	1/2 B.S.F.	
41/AT/18	9 1/4	7 1/2	12 1/8	10 1/2	6	11 1/4	1/2 B.S.F.	
41/AT/20	9 1/4	7 1/2	12 1/2	10 1/2	6	11 1/4	1/2 B.S.F.	
41/AT/24	9 1/4	7 1/2	13 1/8	10 1/2	6	11 1/4	1/2 B.S.F.	

GARDNERS RADIO Ltd

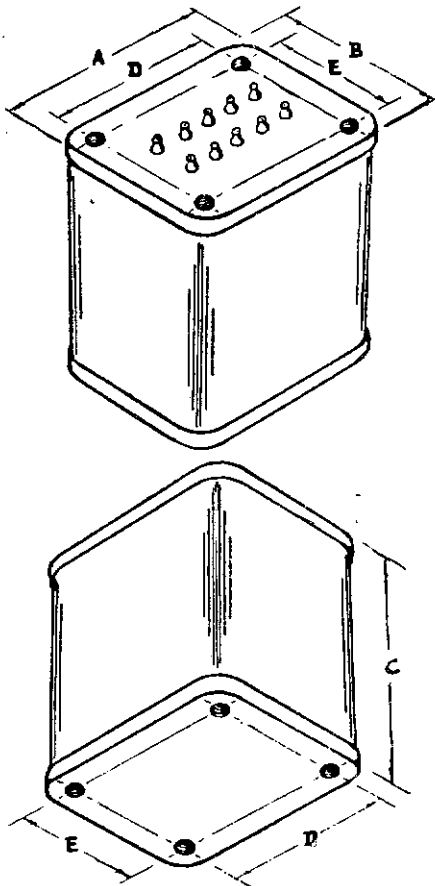
SOMERFORD - CHRISTCHURCH - HANTS
Telephone Christchurch 1734

ISSUE V!!!
FEB. 1961

DRG A840

OUTSPAN SERIES

Universal Mounting. Hermetically Sealed



Outspan Series

For E.H.T. Applications

On oil-filled assembly for E.H.T. applications and normally used for windings delivering, or insulated for, voltages between 3 kv. and 15 kv. R.M.S.

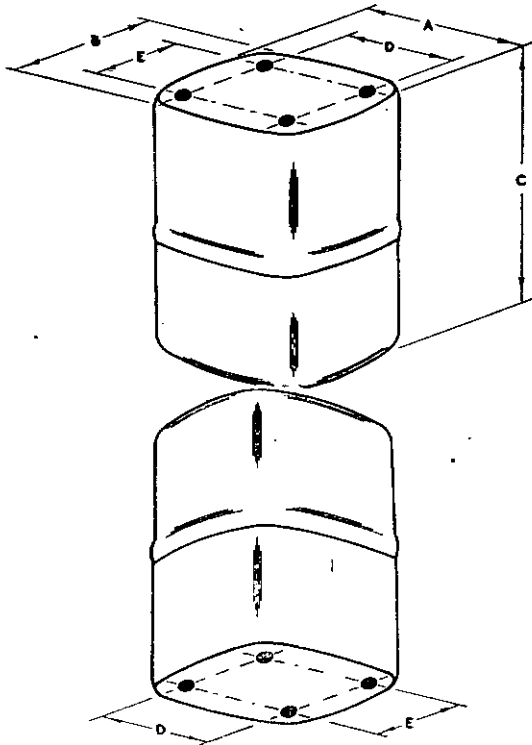
Complies with the general electrical requirements of RCS.214, and fully tropicalised.

The external height of terminal bushings
 for 4.5 kv. R.M.S. Test is $\frac{3}{8}$ "
 " 7.5 kv. " $\frac{1}{2}$ "
 " 10 kv. " $\frac{1}{2}$ "
 " 15 kv. " $\frac{2}{8}$ "

All dimensions shown on this drawing are in inches.

Size	Dimensions			Fixing Centre Dimensions		Chassis Cut-Out Dimensions		Fixing Bolt Size
	A	B	C	D	E	F	G	
403/HS/10	3	2	3 $\frac{1}{2}$	2 $\frac{1}{8}$	1 $\frac{1}{8}$	1 $\frac{1}{8}$	1 $\frac{1}{8}$	4 B.A.
403/HS/12	3	2	3 $\frac{1}{2}$	2 $\frac{1}{8}$	1 $\frac{1}{8}$	1 $\frac{1}{8}$	1 $\frac{1}{8}$	4 B.A.
403/HS/16	3	2	3 $\frac{1}{2}$	2 $\frac{1}{8}$	1 $\frac{1}{8}$	1 $\frac{1}{8}$	1 $\frac{1}{8}$	4 B.A.
403/HS/20	3	2	3 $\frac{1}{2}$	2 $\frac{1}{8}$	1 $\frac{1}{8}$	1 $\frac{1}{8}$	1 $\frac{1}{8}$	4 B.A.
403/HS/24	3	2	4	2 $\frac{1}{8}$	1 $\frac{1}{8}$	1 $\frac{1}{8}$	1 $\frac{1}{8}$	4 B.A.
401/HS/12	3 $\frac{1}{2}$	2 $\frac{1}{2}$	3 $\frac{1}{2}$	2 $\frac{1}{2}$	1 $\frac{1}{2}$	2 $\frac{1}{2}$	1 $\frac{1}{2}$	4 B.A.
401/HS/16	3 $\frac{1}{2}$	2 $\frac{1}{2}$	3 $\frac{1}{2}$	2 $\frac{1}{2}$	1 $\frac{1}{2}$	2 $\frac{1}{2}$	1 $\frac{1}{2}$	4 B.A.
401/HS/18	3 $\frac{1}{2}$	2 $\frac{1}{2}$	3 $\frac{1}{2}$	2 $\frac{1}{2}$	1 $\frac{1}{2}$	2 $\frac{1}{2}$	1 $\frac{1}{2}$	4 B.A.
401/HS/20	3 $\frac{1}{2}$	2 $\frac{1}{2}$	4	2 $\frac{1}{2}$	1 $\frac{1}{2}$	2 $\frac{1}{2}$	1 $\frac{1}{2}$	4 B.A.
401/HS/24	3 $\frac{1}{2}$	2 $\frac{1}{2}$	4 $\frac{1}{2}$	2 $\frac{1}{2}$	1 $\frac{1}{2}$	2 $\frac{1}{2}$	1 $\frac{1}{2}$	4 B.A.
440/HS/12	3 $\frac{3}{8}$	2 $\frac{3}{8}$	3 $\frac{3}{8}$	2 $\frac{3}{8}$	2 $\frac{3}{8}$	2 $\frac{3}{8}$	1 $\frac{1}{4}$	4 B.A.
440/HS/14	3 $\frac{3}{8}$	2 $\frac{3}{8}$	3 $\frac{3}{8}$	2 $\frac{3}{8}$	2 $\frac{3}{8}$	2 $\frac{3}{8}$	1 $\frac{1}{4}$	4 B.A.
440/HS/16	3 $\frac{3}{8}$	2 $\frac{3}{8}$	3 $\frac{3}{8}$	2 $\frac{3}{8}$	2 $\frac{3}{8}$	2 $\frac{3}{8}$	1 $\frac{1}{4}$	4 B.A.
440/HS/20	3 $\frac{3}{8}$	2 $\frac{3}{8}$	4	2 $\frac{3}{8}$	2 $\frac{3}{8}$	2 $\frac{3}{8}$	1 $\frac{1}{4}$	4 B.A.
440/HS/24	3 $\frac{3}{8}$	2 $\frac{3}{8}$	4 $\frac{1}{2}$	2 $\frac{3}{8}$	2 $\frac{3}{8}$	2 $\frac{3}{8}$	1 $\frac{1}{4}$	4 B.A.
442/HS/15	3 $\frac{1}{4}$	2 $\frac{1}{4}$	4 $\frac{1}{8}$	3 $\frac{1}{4}$	2 $\frac{1}{4}$	2 $\frac{1}{4}$	1 $\frac{1}{4}$	2 B.A.
442/HS/16	3 $\frac{1}{4}$	2 $\frac{1}{4}$	4 $\frac{1}{8}$	3 $\frac{1}{4}$	2 $\frac{1}{4}$	2 $\frac{1}{4}$	1 $\frac{1}{4}$	2 B.A.
442/HS/20	3 $\frac{1}{4}$	2 $\frac{1}{4}$	4 $\frac{1}{2}$	3 $\frac{1}{4}$	2 $\frac{1}{4}$	2 $\frac{1}{4}$	1 $\frac{1}{4}$	2 B.A.
442/HS/24	3 $\frac{1}{4}$	2 $\frac{1}{4}$	4 $\frac{1}{2}$	3 $\frac{1}{4}$	2 $\frac{1}{4}$	2 $\frac{1}{4}$	1 $\frac{1}{4}$	2 B.A.
404/HS/15	3 $\frac{1}{2}$	3 $\frac{1}{8}$	4 $\frac{1}{8}$	3 $\frac{1}{2}$	2 $\frac{1}{2}$	2 $\frac{1}{2}$	2 $\frac{1}{2}$	2 B.A.
404/HS/16	3 $\frac{1}{2}$	3 $\frac{1}{8}$	4 $\frac{1}{8}$	3 $\frac{1}{2}$	2 $\frac{1}{2}$	2 $\frac{1}{2}$	2 $\frac{1}{2}$	2 B.A.
404/HS/20	3 $\frac{1}{2}$	3 $\frac{1}{8}$	4 $\frac{1}{2}$	3 $\frac{1}{2}$	2 $\frac{1}{2}$	2 $\frac{1}{2}$	2 $\frac{1}{2}$	2 B.A.
404/HS/24	3 $\frac{1}{2}$	3 $\frac{1}{8}$	4 $\frac{1}{2}$	3 $\frac{1}{2}$	2 $\frac{1}{2}$	2 $\frac{1}{2}$	2 $\frac{1}{2}$	2 B.A.
475/HS/16	4 $\frac{1}{8}$	3 $\frac{1}{4}$	4 $\frac{1}{2}$	3 $\frac{1}{4}$	2 $\frac{3}{8}$	3 $\frac{1}{8}$	2 $\frac{1}{2}$	2 B.A.
475/HS/20	4 $\frac{1}{8}$	3 $\frac{1}{4}$	4 $\frac{1}{2}$	3 $\frac{1}{4}$	2 $\frac{3}{8}$	3 $\frac{1}{8}$	2 $\frac{1}{2}$	2 B.A.
475/HS/24	4 $\frac{1}{8}$	3 $\frac{1}{4}$	5	3 $\frac{1}{4}$	2 $\frac{3}{8}$	3 $\frac{1}{8}$	2 $\frac{1}{2}$	2 B.A.
475/HS/28	4 $\frac{1}{8}$	3 $\frac{1}{4}$	5 $\frac{1}{2}$	3 $\frac{1}{4}$	2 $\frac{3}{8}$	3 $\frac{1}{8}$	2 $\frac{1}{2}$	2 B.A.
460/HS/20	4 $\frac{1}{8}$	4 $\frac{1}{8}$	5	3 $\frac{3}{8}$	3 $\frac{3}{8}$	3 $\frac{3}{8}$	2 $\frac{1}{2}$	$\frac{1}{2}$ B.S.F.
460/HS/24	4 $\frac{1}{8}$	4 $\frac{1}{8}$	5 $\frac{1}{2}$	3 $\frac{3}{8}$	3 $\frac{3}{8}$	3 $\frac{3}{8}$	2 $\frac{1}{2}$	$\frac{1}{2}$ B.S.F.
460/HS/28	4 $\frac{1}{8}$	4 $\frac{1}{8}$	5 $\frac{1}{2}$	3 $\frac{3}{8}$	3 $\frac{3}{8}$	3 $\frac{3}{8}$	2 $\frac{1}{2}$	$\frac{1}{2}$ B.S.F.
460/HS/32	4 $\frac{1}{8}$	4 $\frac{1}{8}$	5 $\frac{1}{2}$	3 $\frac{3}{8}$	3 $\frac{3}{8}$	3 $\frac{3}{8}$	2 $\frac{1}{2}$	$\frac{1}{2}$ B.S.F.
460/HS/36	4 $\frac{1}{8}$	4 $\frac{1}{8}$	6	3 $\frac{3}{8}$	3 $\frac{3}{8}$	3 $\frac{3}{8}$	2 $\frac{1}{2}$	$\frac{1}{2}$ B.S.F.
428/HS/20	5 $\frac{1}{8}$	4 $\frac{1}{8}$	5 $\frac{1}{2}$	4 $\frac{1}{8}$	3 $\frac{3}{8}$	3 $\frac{3}{8}$	3 $\frac{1}{2}$	$\frac{1}{2}$ B.S.F.
428/HS/24	5 $\frac{1}{8}$	4 $\frac{1}{8}$	5 $\frac{1}{2}$	4 $\frac{1}{8}$	3 $\frac{3}{8}$	3 $\frac{3}{8}$	3 $\frac{1}{2}$	$\frac{1}{2}$ B.S.F.
428/HS/28	5 $\frac{1}{8}$	4 $\frac{1}{8}$	6	4 $\frac{1}{8}$	3 $\frac{3}{8}$	3 $\frac{3}{8}$	3 $\frac{1}{2}$	$\frac{1}{2}$ B.S.F.
428/HS/32	5 $\frac{1}{8}$	4 $\frac{1}{8}$	6 $\frac{1}{2}$	4 $\frac{1}{8}$	3 $\frac{3}{8}$	3 $\frac{3}{8}$	3 $\frac{1}{2}$	$\frac{1}{2}$ B.S.F.
428/HS/36	5 $\frac{1}{8}$	4 $\frac{1}{8}$	6 $\frac{1}{2}$	4 $\frac{1}{8}$	3 $\frac{3}{8}$	3 $\frac{3}{8}$	3 $\frac{1}{2}$	$\frac{1}{2}$ B.S.F.
245/HS/24	5 $\frac{1}{8}$	4 $\frac{1}{8}$	5 $\frac{1}{2}$	4 $\frac{1}{8}$	3 $\frac{1}{8}$	4 $\frac{1}{8}$	3 $\frac{1}{8}$	$\frac{1}{2}$ B.S.F.
245/HS/28	5 $\frac{1}{8}$	4 $\frac{1}{8}$	6 $\frac{1}{8}$	4 $\frac{1}{8}$	3 $\frac{1}{8}$	4 $\frac{1}{8}$	3 $\frac{1}{8}$	$\frac{1}{2}$ B.S.F.
245/HS/32	5 $\frac{1}{8}$	4 $\frac{1}{8}$	6 $\frac{1}{8}$	4 $\frac{1}{8}$	3 $\frac{1}{8}$	4 $\frac{1}{8}$	3 $\frac{1}{8}$	$\frac{1}{2}$ B.S.F.
245/HS/36	5 $\frac{1}{8}$	4 $\frac{1}{8}$	6 $\frac{1}{8}$	4 $\frac{1}{8}$	3 $\frac{1}{8}$	4 $\frac{1}{8}$	3 $\frac{1}{8}$	$\frac{1}{2}$ B.S.F.
435/HS/24	6 $\frac{1}{8}$	5 $\frac{1}{8}$	6 $\frac{1}{2}$	5 $\frac{1}{2}$	4 $\frac{1}{2}$	4 $\frac{1}{2}$	3 $\frac{3}{8}$	$\frac{1}{2}$ B.S.F.
435/HS/28	6 $\frac{1}{8}$	5 $\frac{1}{8}$	6 $\frac{1}{2}$	5 $\frac{1}{2}$	4 $\frac{1}{2}$	4 $\frac{1}{2}$	3 $\frac{3}{8}$	$\frac{1}{2}$ B.S.F.
435/HS/32	6 $\frac{1}{8}$	5 $\frac{1}{8}$	7	5 $\frac{1}{2}$	4 $\frac{1}{2}$	4 $\frac{1}{2}$	3 $\frac{3}{8}$	$\frac{1}{2}$ B.S.F.
435/HS/36	6 $\frac{1}{8}$	5 $\frac{1}{8}$	7 $\frac{1}{2}$	5 $\frac{1}{2}$	4 $\frac{1}{2}$	4 $\frac{1}{2}$	3 $\frac{3}{8}$	$\frac{1}{2}$ B.S.F.
435/HS/40	6 $\frac{1}{8}$	5 $\frac{1}{8}$	7 $\frac{1}{2}$	5 $\frac{1}{2}$	4 $\frac{1}{2}$	4 $\frac{1}{2}$	3 $\frac{3}{8}$	$\frac{1}{2}$ B.S.F.
437/HS/28	7 $\frac{1}{2}$	7 $\frac{1}{2}$	6 $\frac{1}{2}$	5 $\frac{7}{8}$	5 $\frac{3}{8}$	5 $\frac{7}{8}$	5 $\frac{3}{8}$	$\frac{1}{2}$ B.S.F.
437/HS/32	7 $\frac{1}{2}$	7 $\frac{1}{2}$	7	5 $\frac{7}{8}$	5 $\frac{3}{8}$	5 $\frac{7}{8}$	5 $\frac{3}{8}$	$\frac{1}{2}$ B.S.F.
437/HS/36	7 $\frac{1}{2}$	7 $\frac{1}{2}$	7 $\frac{1}{2}$	5 $\frac{7}{8}$	5 $\frac{3}{8}$	5 $\frac{7}{8}$	5 $\frac{3}{8}$	$\frac{1}{2}$ B.S.F.
437/HS/40	7 $\frac{1}{2}$	7 $\frac{1}{2}$	7 $\frac{1}{2}$	5 $\frac{7}{8}$	5 $\frac{3}{8}$	5 $\frac{7}{8}$	5 $\frac{3}{8}$	$\frac{1}{2}$ B.S.F.
437/HS/52	7 $\frac{1}{2}$	7 $\frac{1}{2}$	8 $\frac{1}{2}$	5 $\frac{7}{8}$	5 $\frac{3}{8}$	5 $\frac{7}{8}$	5 $\frac{3}{8}$	$\frac{1}{2}$ B.S.F.
437/HS/72	7 $\frac{1}{2}$	7 $\frac{1}{2}$	9 $\frac{1}{2}$	5 $\frac{7}{8}$	5 $\frac{3}{8}$	5 $\frac{7}{8}$	5 $\frac{3}{8}$	$\frac{1}{2}$ B.S.F.
441/HS/40	9 $\frac{1}{2}$	7 $\frac{1}{2}$	8 $\frac{1}{2}$	7 $\frac{1}{2}$	6	6 $\frac{1}{2}$	5	$\frac{1}{2}$ B.S.F.
441/HS/52	9 $\frac{1}{2}$	7 $\frac{1}{2}$	9 $\frac{1}{2}$	7 $\frac{1}{2}$	6	6 $\frac{1}{2}$	5	$\frac{1}{2}$ B.S.F.
441/HS/64	9 $\frac{1}{2}$	7 $\frac{1}{2}$	10	7 $\frac{1}{2}$	6	6 $\frac{1}{2}$	5	$\frac{1}{2}$ B.S.F.
441/HS/72	9 $\frac{1}{2}$	7 $\frac{1}{2}$	10 $\frac{1}{2}$	7 $\frac{1}{2}$	6	6 $\frac{1}{2}$	5	$\frac{1}{2}$ B.S.F.
441/HS/80	9 $\frac{1}{2}$	7 $\frac{1}{2}$	11	7 $\frac{1}{2}$	6	6 $\frac{1}{2}$	5	$\frac{1}{2}$ B.S.F.
441/HS/96	9 $\frac{1}{2}$	7 $\frac{1}{2}$	12	7 $\frac{1}{2}$	6	6 $\frac{1}{2}$	5	$\frac{1}{2}$ B.S.F.

Universal Mounting. Hermetically Sealed incorporating "C" type cores



Gamma Series to RCL.215

The standard Inter-Service assembly for oil-filled transformers incorporating grain oriented 'C' cores. Complies with RCL.215 and RCS.214, Humidity Class H.1.

Type Approval Certificate No. 1092.

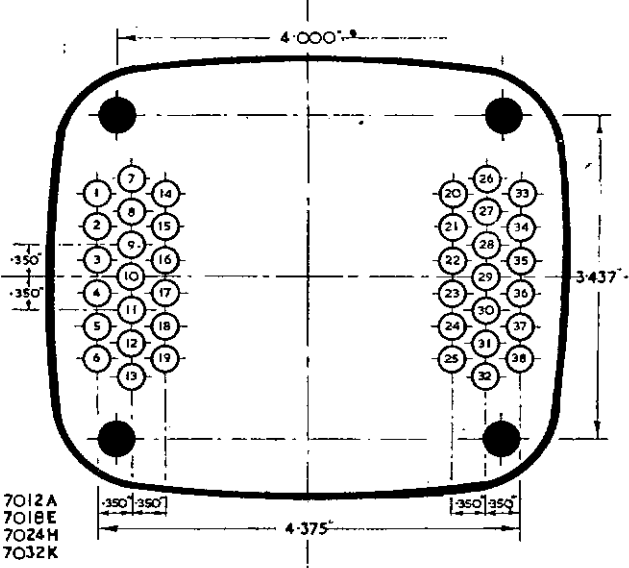
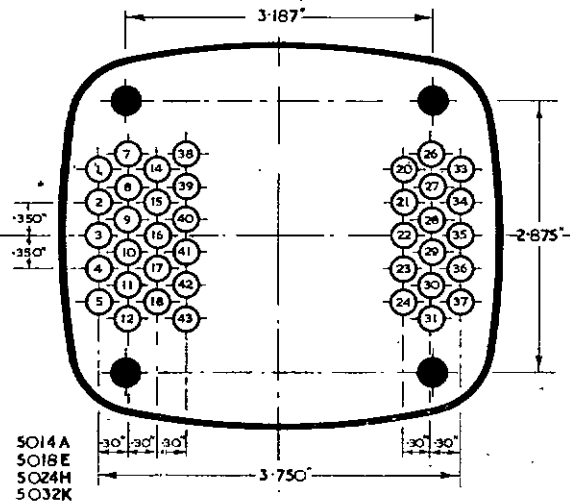
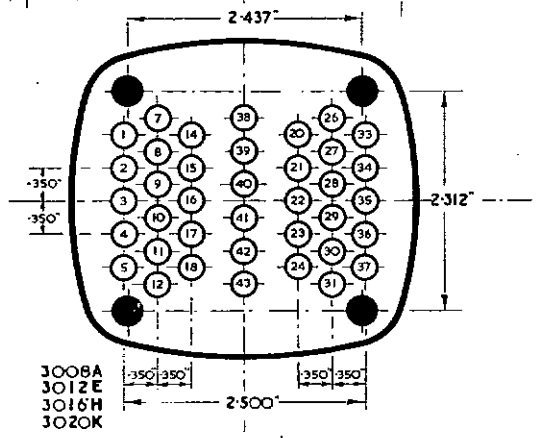
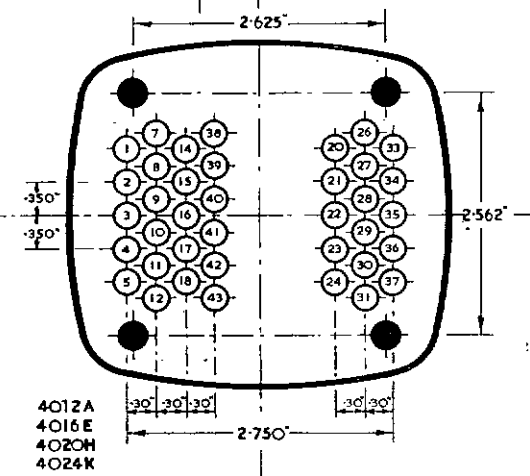
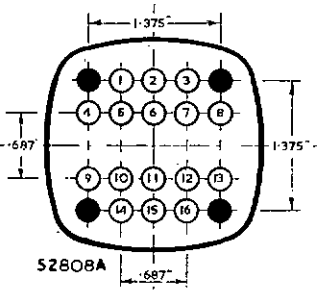
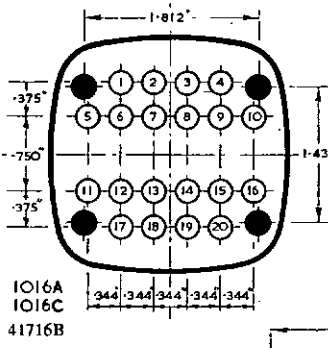
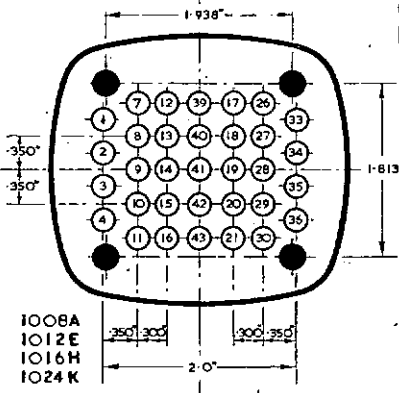
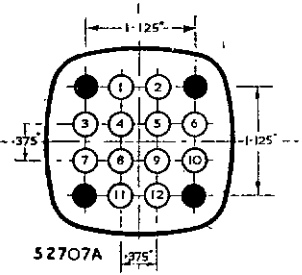
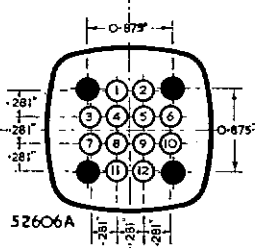
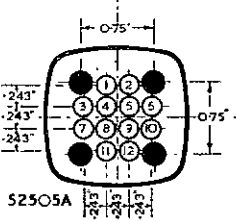
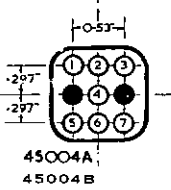
The external height of terminal bushings

- for 4.5 kv. R.M.S. Test is $\frac{1}{8}$ "
- " 7.5 kv. " $\frac{1}{8}$ "
- " 10 kv. " $\frac{1}{8}$ "
- " 15 kv. " $\frac{2}{8}$ "

All dimensions shown on this drawing are in inches

Size	Dimensions			Fixing Centre Dimensions		Fixing Bolt Size
	A	B	C	D	E	
45004A	1	1	1 $\frac{1}{2}$	* $\frac{1}{2}$		6 B.A.
45004B	1	1	2 $\frac{1}{2}$	$\frac{1}{2}$		6 B.A.
52505A	1 $\frac{1}{2}$	1 $\frac{1}{2}$	2 $\frac{1}{2}$	$\frac{1}{2}$	$\frac{1}{2}$	6 B.A.
52606A	1 $\frac{3}{4}$	1 $\frac{3}{4}$	2 $\frac{3}{4}$	$\frac{7}{8}$	$\frac{7}{8}$	4 B.A.
0506A	1 $\frac{3}{4}$	1 $\frac{3}{4}$	2 $\frac{3}{4}$	1 $\frac{1}{4}$	$\frac{3}{4}$	4 B.A.
52707A	1 $\frac{3}{4}$	1 $\frac{3}{4}$	3 $\frac{3}{4}$	1 $\frac{1}{2}$	1 $\frac{1}{2}$	4 B.A.
0706A	2 $\frac{1}{4}$	1 $\frac{1}{4}$	2 $\frac{1}{2}$	1 $\frac{1}{8}$	1 $\frac{1}{8}$	4 B.A.
52808A	2 $\frac{3}{8}$	2 $\frac{3}{8}$	3 $\frac{3}{8}$	1 $\frac{1}{8}$	1 $\frac{1}{8}$	4 B.A.
41716B	2 $\frac{1}{2}$	2 $\frac{1}{2}$	2 $\frac{1}{2}$	1 $\frac{1}{8}$	1 $\frac{1}{8}$	4 B.A.
1016A	2 $\frac{1}{2}$	2 $\frac{1}{2}$	2 $\frac{1}{2}$	1 $\frac{1}{8}$	1 $\frac{1}{8}$	4 B.A.
1016C	2 $\frac{1}{2}$	2 $\frac{1}{2}$	3 $\frac{1}{8}$	1 $\frac{1}{8}$	1 $\frac{1}{8}$	4 B.A.
1008A	3 $\frac{1}{8}$	2 $\frac{3}{8}$	2 $\frac{1}{4}$	1 $\frac{1}{8}$	1 $\frac{1}{8}$	4 B.A.
1012E	3 $\frac{1}{8}$	2 $\frac{3}{8}$	2 $\frac{1}{4}$	1 $\frac{1}{8}$	1 $\frac{1}{8}$	4 B.A.
1016H	3 $\frac{1}{8}$	2 $\frac{3}{8}$	3 $\frac{1}{4}$	1 $\frac{1}{8}$	1 $\frac{1}{8}$	4 B.A.
1024K	3 $\frac{1}{8}$	2 $\frac{3}{8}$	3 $\frac{1}{8}$	1 $\frac{1}{8}$	1 $\frac{1}{8}$	4 B.A.
3008A	3 $\frac{1}{8}$	3 $\frac{1}{8}$	2 $\frac{1}{4}$	2 $\frac{1}{8}$	2 $\frac{1}{8}$	4 B.A.
3012E	3 $\frac{1}{8}$	3 $\frac{1}{8}$	3	2 $\frac{1}{8}$	2 $\frac{1}{8}$	4 B.A.
3016H	3 $\frac{1}{8}$	3 $\frac{1}{8}$	3 $\frac{1}{2}$	2 $\frac{1}{8}$	2 $\frac{1}{8}$	4 B.A.
3020K	3 $\frac{1}{8}$	3 $\frac{1}{8}$	3 $\frac{1}{2}$	2 $\frac{1}{8}$	2 $\frac{1}{8}$	4 B.A.
4012A	4 $\frac{1}{2}$	3 $\frac{3}{8}$	3 $\frac{1}{4}$	2 $\frac{1}{8}$	2 $\frac{1}{8}$	2 B.A.
4016E	4 $\frac{1}{2}$	3 $\frac{3}{8}$	3 $\frac{1}{2}$	2 $\frac{1}{8}$	2 $\frac{1}{8}$	2 B.A.
4020H	4 $\frac{1}{2}$	3 $\frac{3}{8}$	4	2 $\frac{1}{8}$	2 $\frac{1}{8}$	2 B.A.
4024K	4 $\frac{1}{2}$	3 $\frac{3}{8}$	4 $\frac{1}{2}$	2 $\frac{1}{8}$	2 $\frac{1}{8}$	2 B.A.
5014A	4 $\frac{1}{2}$	4 $\frac{1}{2}$	3 $\frac{1}{2}$	3 $\frac{1}{8}$	2 $\frac{1}{8}$	2 B.A.
5018E	4 $\frac{1}{2}$	4 $\frac{1}{2}$	3 $\frac{1}{2}$	3 $\frac{1}{8}$	2 $\frac{1}{8}$	2 B.A.
5024H	4 $\frac{1}{2}$	4 $\frac{1}{2}$	4 $\frac{1}{2}$	3 $\frac{1}{8}$	2 $\frac{1}{8}$	2 B.A.
5032K	4 $\frac{1}{2}$	4 $\frac{1}{2}$	5	3 $\frac{1}{8}$	2 $\frac{1}{8}$	2 B.A.
7012A	5 $\frac{1}{2}$	5 $\frac{1}{8}$	3 $\frac{1}{2}$	4	3 $\frac{1}{8}$	$\frac{1}{2}$ B.S.F.
7018E	5 $\frac{1}{2}$	5 $\frac{1}{8}$	4 $\frac{1}{8}$	4	3 $\frac{1}{8}$	$\frac{1}{2}$ B.S.F.
7024H	5 $\frac{1}{2}$	5 $\frac{1}{8}$	4 $\frac{1}{2}$	4	3 $\frac{1}{8}$	$\frac{1}{2}$ B.S.F.
7032K	5 $\frac{1}{2}$	5 $\frac{1}{8}$	5 $\frac{1}{8}$	4	3 $\frac{1}{8}$	$\frac{1}{2}$ B.S.F.
9016A	6 $\frac{1}{8}$	5 $\frac{1}{8}$	4 $\frac{1}{8}$	4 $\frac{1}{8}$	4 $\frac{1}{8}$	$\frac{5}{16}$ B.S.F.
9024E	6 $\frac{1}{8}$	5 $\frac{1}{8}$	5 $\frac{1}{8}$	4 $\frac{1}{8}$	4 $\frac{1}{8}$	$\frac{5}{16}$ B.S.F.
9032H	6 $\frac{1}{8}$	5 $\frac{1}{8}$	5 $\frac{1}{8}$	4 $\frac{1}{8}$	4 $\frac{1}{8}$	$\frac{5}{16}$ B.S.F.
9044K	6 $\frac{1}{8}$	5 $\frac{1}{8}$	6 $\frac{1}{8}$	4 $\frac{1}{8}$	4 $\frac{1}{8}$	$\frac{5}{16}$ B.S.F.
11020A	9	7 $\frac{1}{2}$	6 $\frac{1}{2}$	6 $\frac{1}{2}$	5 $\frac{1}{2}$	$\frac{5}{16}$ B.S.F.
11032F	9	7 $\frac{1}{2}$	7 $\frac{1}{2}$	6 $\frac{1}{2}$	5 $\frac{1}{2}$	$\frac{5}{16}$ B.S.F.
11064Q	9	7 $\frac{1}{2}$	9 $\frac{1}{2}$	6 $\frac{1}{2}$	5 $\frac{1}{2}$	$\frac{5}{16}$ B.S.F.

* Fixing at terminal end only.

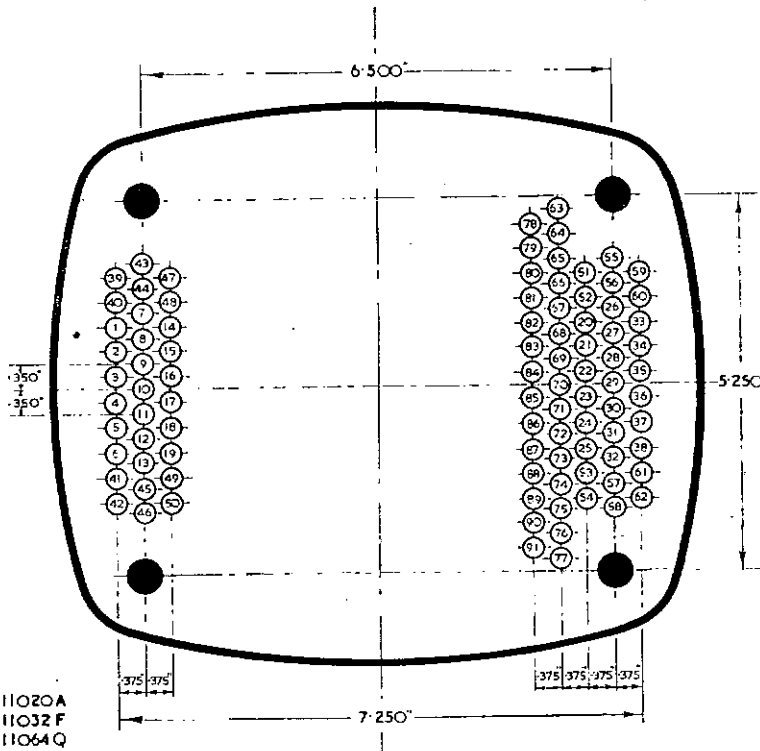
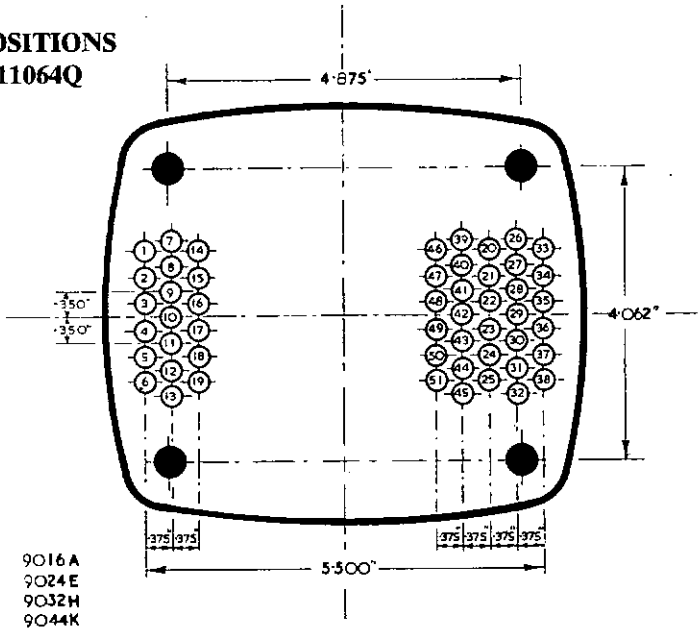


GAMMA SERIES

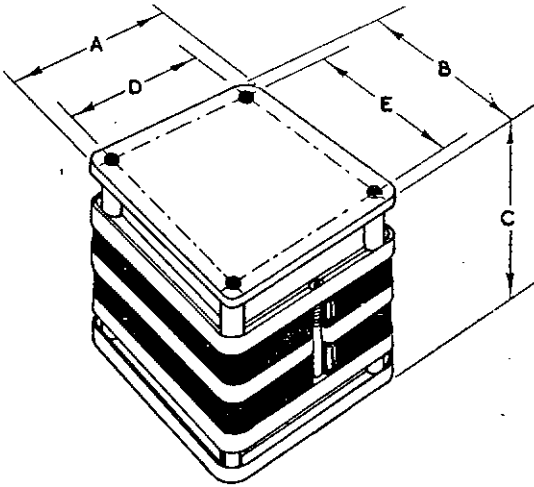
Electrojumble.org.uk



TERMINAL POSITIONS Size 9016A - 11064Q



Universal Mounting. Open Type
incorporating "C" type cores



Delta Series

to RCL.216

The standard Inter-Service assembly for open-type transformers incorporating grain oriented 'C' cores. Complies with RCL.216 and RCS.214, Humidity Class H.2.

Type Approval Certificate No. 931.

*This assembly can, for certain types of transformers and chokes, be supplied with reduced height, known as a 'J' assembly. Where used, subtract 1/2" from dimension 'C'.

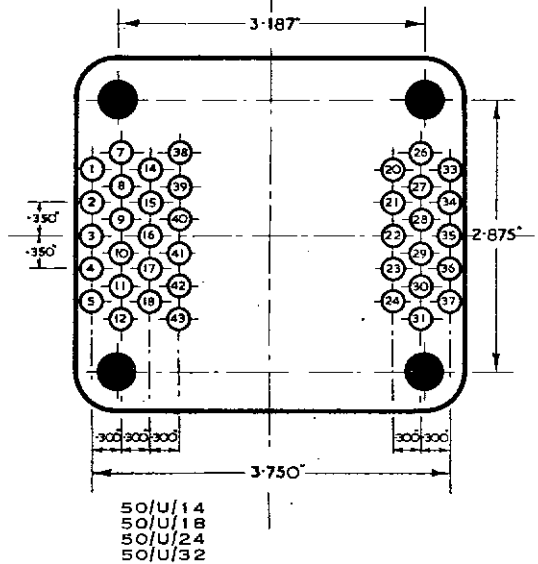
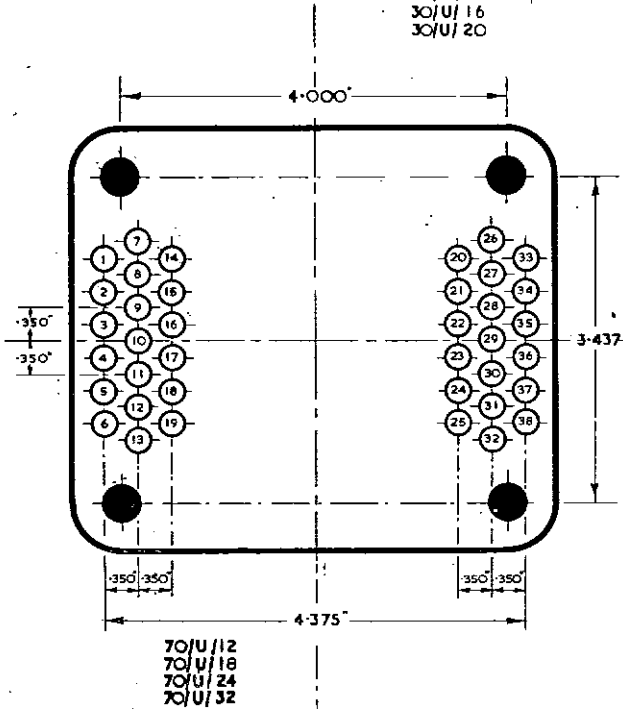
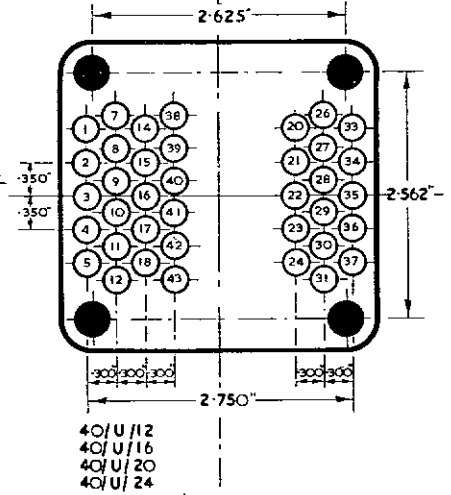
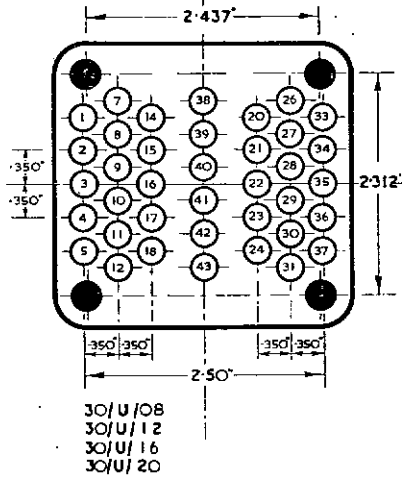
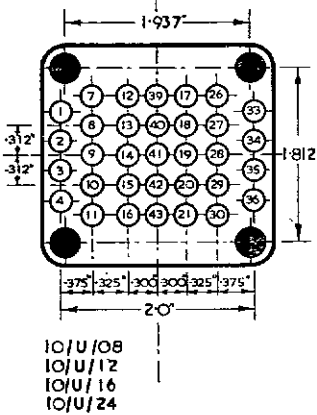
All dimensions shown on this drawing are in inches.

Size	Dimensions			Fixing Centre Dimensions		Fixing Bolt Size
	A	B	*C	D	E	
10/U/08	2 1/8	2 1/8	2 1/2	1 1/8	1 1/8	4 B.A.
10/U/12	2 1/8	2 3/8	2 3/8	1 1/8	1 1/8	4 B.A.
10/U/16	2 1/8	2 5/8	3	1 1/8	1 1/8	4 B.A.
10/U/24	2 1/8	2 5/8	3 1/2	1 1/8	1 1/8	4 B.A.
30/U/08	3 1/8	3 3/4	2 3/8	2 7/8	2 5/8	4 B.A.
30/U/12	3 1/8	3 3/4	3 1/8	2 7/8	2 5/8	4 B.A.
30/U/16	3 1/8	3 3/4	3 3/8	2 7/8	2 5/8	4 B.A.
30/U/20	3 1/8	3 3/4	3 3/8	2 7/8	2 5/8	4 B.A.
40/U/12	3 1/8	3 1/2	3 3/8	2 3/8	2 1/8	2 B.A.
40/U/16	3 1/8	3 1/2	3 3/8	2 3/8	2 1/8	2 B.A.
40/U/20	3 1/8	3 1/2	3 3/8	2 3/8	2 1/8	2 B.A.
40/U/24	3 1/8	3 1/2	4 1/8	2 3/8	2 1/8	2 B.A.
50/U/14	4 1/8	4	3 1/2	3 1/8	2 7/8	2 B.A.
50/U/18	4 1/8	4	4	3 1/8	2 7/8	2 B.A.
50/U/24	4 1/8	4	4 3/8	3 1/8	2 7/8	2 B.A.
50/U/32	4 1/8	4	4 3/8	3 1/8	2 7/8	2 B.A.
70/U/12	5 1/8	4 1/8	4 1/8	4	3 3/8	1/2 B.S.F.†
70/U/18	5 1/8	4 1/8	4 1/2	4	3 3/8	1/2 B.S.F.†
70/U/24	5 1/8	4 1/8	4 3/4	4	3 3/8	1/2 B.S.F.†
70/U/32	5 1/8	4 1/8	5 1/8	4	3 3/8	1/2 B.S.F.†
90/U/16	6 1/8	5 1/2	4 3/8	4 1/8	4 1/8	5/8 B.S.F.†
90/U/24	6 1/8	5 1/2	5 3/8	4 1/8	4 1/8	5/8 B.S.F.†
90/U/32	6 1/8	5 1/2	5 3/8	4 1/8	4 1/8	5/8 B.S.F.†
90/U/44	6 1/8	5 1/2	6 3/8	4 1/8	4 1/8	5/8 B.S.F.†
110/U/20	8 1/8	7 3/8	6 1/2	6 1/2	5 1/2	5/8 B.S.F.†
110/U/32	8 1/8	7 3/8	7	6 1/2	5 1/2	5/8 B.S.F.†
110/U/64	8 1/8	7 3/8	9	6 1/2	5 1/2	5/8 B.S.F.†

† May be supplied unified thread

DELTA SERIES

TERMINAL POSITIONS
Size 10/U/08 - 70/U/32

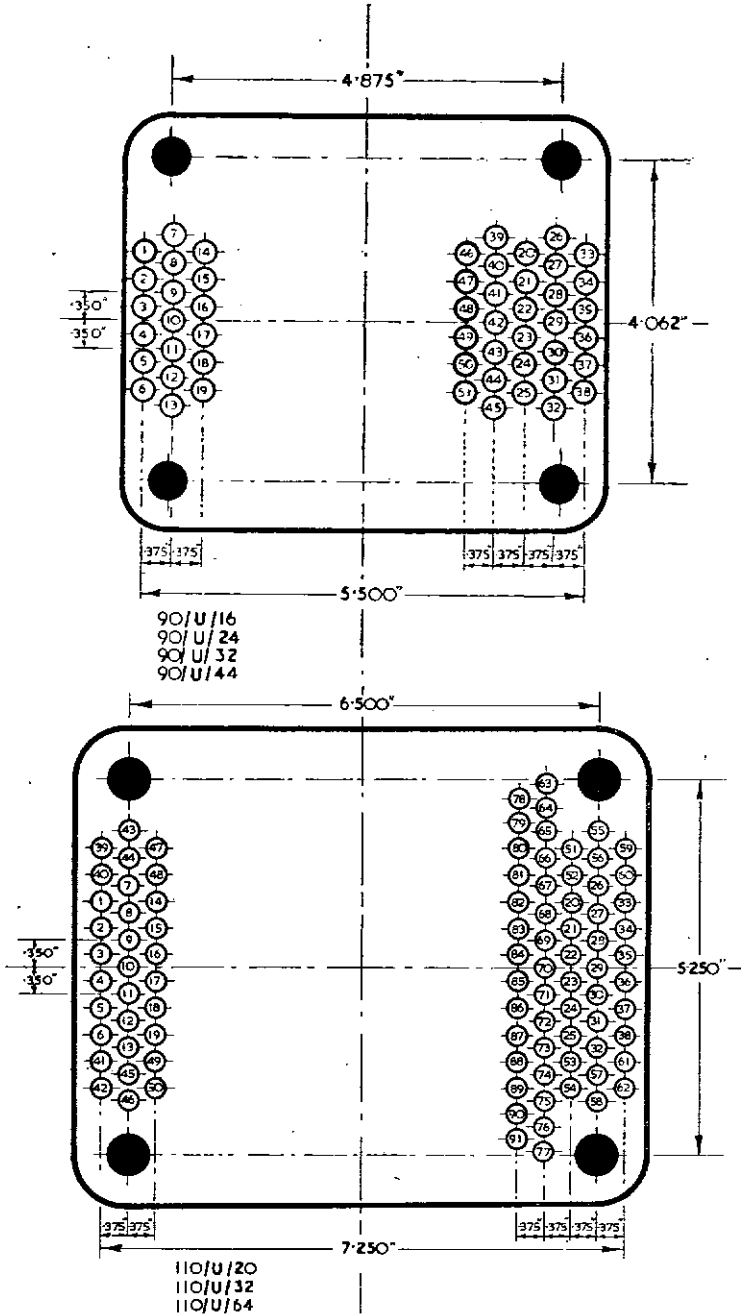


DELTA SERIES

Electrojumble.org.uk



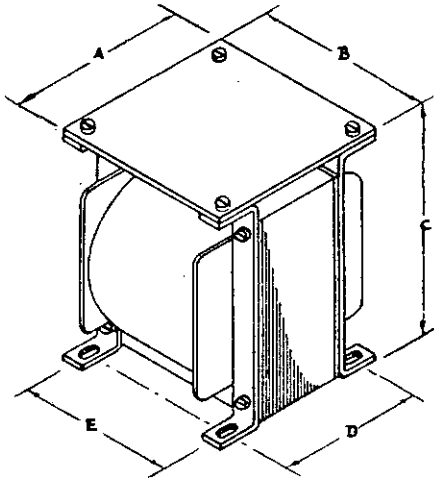
TERMINAL POSITIONS
Size 90/U/16 - 110/U/64



DRG A1803

ISSUE III
JULY, 1959

GARDNERS RADIO *Ltd*
SOMERFORD - CHRISTCHURCH - HANTS
Telephone Christchurch 1734



Barton Series

to RCL.216

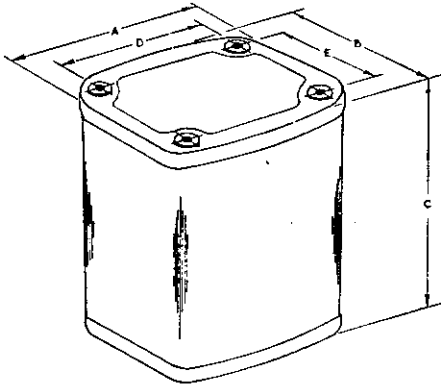
Open type assembly complying with Inter-Service specifications RCL.216 for laminated transformers and chokes, and RCS.214, Humidity Class H.2. The bobbins are impregnated with Hadfield's solventless varnish type AS.5311 and the whole assembly enveloped in Hadfield's solventless varnish type AS.5288.

Overall height variations :

- Solder tags add $\frac{3}{8}$ " to dimension 'C'
- Porcelain inserts add $\frac{3}{4}$ " to dimension 'C'
- Heavy current lugs add $\frac{1}{2}$ " to dimension 'C'
- Semi-shrouded terminal blocks add 1" to dimension 'C'

All dimensions shown on this drawing are in inches.

Size	Dimensions			Fixing Centre Dimensions		Fixing Bolt Size F	VA Rating at 50 c.p.s.
	A	B	C	D	E		
TDF 40310	2 $\frac{7}{8}$	2 $\frac{7}{8}$	3 $\frac{1}{2}$	1 $\frac{1}{2}$	1 $\frac{1}{2}$	4 B.A.	4
TDF 40316	2 $\frac{1}{8}$	2 $\frac{1}{8}$	3 $\frac{1}{2}$	1 $\frac{7}{8}$	1 $\frac{1}{2}$	4 B.A.	6
TDF 40112	2 $\frac{1}{8}$	2 $\frac{1}{4}$	4	1 $\frac{1}{4}$	1 $\frac{1}{2}$	4 B.A.	8
TDF 40118	3 $\frac{1}{8}$	2 $\frac{1}{4}$	4	2 $\frac{1}{8}$	1 $\frac{1}{2}$	4 B.A.	12
TDF 44014	2 $\frac{1}{8}$	2 $\frac{3}{8}$	4 $\frac{1}{8}$	2	2 $\frac{1}{8}$	4 B.A.	20
TDF 44020	3 $\frac{1}{8}$	2 $\frac{3}{8}$	4 $\frac{1}{8}$	2 $\frac{1}{8}$	2 $\frac{1}{8}$	4 B.A.	26
TDF 44215	3 $\frac{1}{2}$	2 $\frac{5}{8}$	4 $\frac{1}{2}$	2 $\frac{1}{8}$	2 $\frac{1}{8}$	4 B.A.	30
TDF 44224	3 $\frac{1}{8}$	2 $\frac{3}{8}$	4 $\frac{1}{2}$	2 $\frac{1}{8}$	2 $\frac{1}{8}$	4 B.A.	40
TDF 40415	3 $\frac{1}{8}$	3 $\frac{3}{8}$	4 $\frac{1}{2}$	2 $\frac{1}{8}$	2 $\frac{1}{4}$	4 B.A.	45
TDF 40424	3 $\frac{3}{8}$	3 $\frac{3}{8}$	4 $\frac{1}{2}$	2 $\frac{3}{8}$	2 $\frac{1}{4}$	4 B.A.	60
TDF 47516	3 $\frac{3}{8}$	3 $\frac{1}{2}$	4 $\frac{5}{8}$	2 $\frac{3}{8}$	2 $\frac{3}{8}$	2 B.A.	65
TDF 47524	4 $\frac{1}{8}$	3 $\frac{1}{2}$	4 $\frac{5}{8}$	2 $\frac{3}{8}$	2 $\frac{3}{8}$	2 B.A.	80
TDF 46020	3 $\frac{1}{8}$	4 $\frac{1}{8}$	5 $\frac{1}{2}$	2 $\frac{1}{4}$	3 $\frac{1}{8}$	2 B.A.	90
TDF 46028	4 $\frac{1}{8}$	4 $\frac{1}{8}$	5 $\frac{1}{2}$	3 $\frac{1}{4}$	3 $\frac{1}{8}$	2 B.A.	110
TDF 42820	4 $\frac{1}{8}$	4 $\frac{1}{8}$	6	2 $\frac{3}{8}$	3 $\frac{3}{8}$	$\frac{1}{4}$ B.S.F.	125
TDF 42832	5 $\frac{1}{8}$	4 $\frac{1}{8}$	6	3 $\frac{3}{8}$	3 $\frac{3}{8}$	$\frac{1}{4}$ B.S.F.	175
TDF 43524	5 $\frac{1}{8}$	5 $\frac{3}{8}$	7 $\frac{3}{8}$	3 $\frac{1}{2}$	4 $\frac{1}{2}$	$\frac{1}{4}$ B.S.F.	225
TDF 43536	6 $\frac{1}{8}$	5 $\frac{3}{8}$	7 $\frac{3}{8}$	4 $\frac{1}{4}$	4 $\frac{1}{2}$	$\frac{1}{4}$ B.S.F.	375
TDF 43728	5 $\frac{1}{8}$	7 $\frac{1}{8}$	7 $\frac{3}{8}$	3 $\frac{3}{4}$	5 $\frac{1}{8}$	$\frac{1}{4}$ B.S.F.	450
TDF 43740	6 $\frac{1}{8}$	7 $\frac{3}{8}$	7 $\frac{3}{8}$	4 $\frac{1}{2}$	5 $\frac{1}{8}$	$\frac{1}{4}$ B.S.F.	600



**Solent Series
Universal Mounting**

An attractive commercial pattern assembly designed to B.S.2214, Group 10/55, with plan dimensions and fixing centres, at each end, complying with RCL.215. The three-part container is filled with a high thermal conductivity loaded compound and finished grey hammer paint. Standard models incorporate turret terminals but, if desired, ceramic bushings in solid lids can be fitted for tropical conditions.

Turret Lugs

increase height dimension "C" by $\frac{1}{8}$ "

Terminal Bushings for

4.5kV RMS test increase dim. "C" by $\frac{1}{8}$ "
 7.5kV " " " " " " " $\frac{1}{4}$ "
 10kV " " " " " " " $\frac{1}{2}$ "
 12.5kV " " " " " " " $\frac{3}{8}$ "

Heavy Current Loops for

10 amps. increase dimension "C" by $\frac{1}{8}$ "
 20 amps. " " " " " " " $\frac{1}{4}$ "
 30 amps. " " " " " " " $\frac{1}{2}$ "
 40 amps. " " " " " " " $\frac{3}{8}$ "
 50 amps. " " " " " " " $\frac{1}{2}$ "
 100 amps. " " " " " " " $\frac{3}{4}$ "

Semi-Shrouded Terminal Blocks

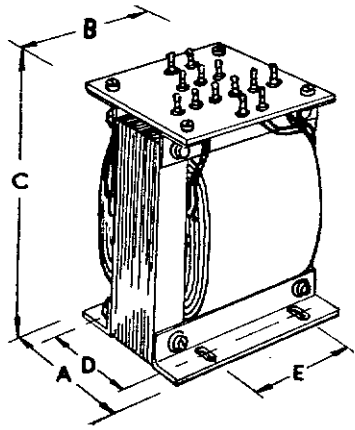
increase height dimension "C" by 1"

All dimensions shown on this drawing are in inches.

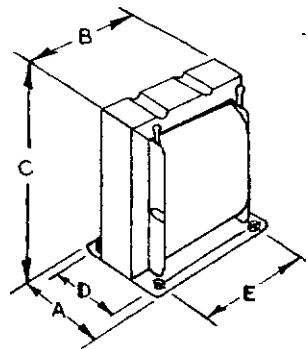
Size	Dimension			Fixing Centre Dimensions		Fixing Bolt Size	VA Rating at 50 c.p.s.
	A	B	C	D	E		
5/S/							
6/S/19	1 $\frac{1}{4}$	1 $\frac{1}{4}$	2 $\frac{1}{4}$	0.875	0.875	4 BA	2
7/S/22	1 $\frac{3}{8}$	1 $\frac{3}{8}$	2 $\frac{1}{2}$	1.125	1.125	4 BA	4
8/S/26	2 $\frac{1}{8}$	2 $\frac{1}{8}$	3 $\frac{1}{4}$	1.375	1.375	4 BA	9
9/S/26	2 $\frac{1}{8}$	2 $\frac{1}{8}$	3 $\frac{1}{4}$	1.813	1.438	4 BA	18
9/S/32	2 $\frac{1}{8}$	2 $\frac{1}{8}$	4	1.813	1.438	4 BA	30
10/S/32	3 $\frac{1}{8}$	2 $\frac{3}{8}$	4	1.938	1.813	4 BA	38
10/S/34	3 $\frac{1}{8}$	2 $\frac{3}{8}$	4 $\frac{1}{2}$	1.938	1.813	4 BA	44
30/S/35	3 $\frac{1}{8}$	3 $\frac{7}{8}$	4 $\frac{3}{8}$	2.438	2.312	2 BA	70
30/S/38	3 $\frac{1}{8}$	3 $\frac{7}{8}$	4 $\frac{1}{2}$	2.438	2.312	2 BA	100
40/S/40	4 $\frac{1}{8}$	3 $\frac{1}{2}$	5	2.625	2.562	2 BA	120
40/S/44	4 $\frac{1}{8}$	3 $\frac{1}{2}$	5 $\frac{1}{2}$	2.625	2.562	2 BA	
50/S/40	4 $\frac{1}{2}$	4 $\frac{1}{8}$	5	3.188	2.875	$\frac{1}{2}$ BSF	140
50/S/44	4 $\frac{1}{2}$	4 $\frac{1}{8}$	5 $\frac{1}{2}$	3.188	2.875	$\frac{1}{2}$ BSF	160
70/S/42	5 $\frac{1}{8}$	5 $\frac{1}{8}$	5 $\frac{1}{2}$	4.00	3.437	$\frac{1}{2}$ BSF	200
70/S/52	5 $\frac{1}{8}$	5 $\frac{1}{8}$	6 $\frac{1}{2}$	4.00	3.437	$\frac{1}{2}$ BSF	295
90/S/50	6 $\frac{1}{4}$	5 $\frac{3}{8}$	6 $\frac{1}{4}$	4.875	4.062	$\frac{3}{8}$ BSF	330
90/S/58	6 $\frac{1}{4}$	5 $\frac{3}{8}$	7 $\frac{1}{4}$	4.875	4.062	$\frac{3}{8}$ BSF	530

MINIFORD SERIES

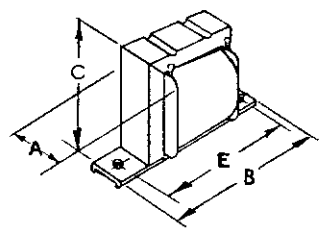
STYLE 1



STYLE 2



STYLE 3



MINIFORD SERIES

To B.S. Specification Group 10/40,
H.3A

An open-type assembly of economical construction incorporating grain oriented cores. The windings are vacuum and pressure impregnated with thermo-setting varnish, and the completed assembly enveloped in black Alkyd-based resin.

All dimensions shown on this drawing are in inches.

Style	Size	A	B	C	D	E	No. of Fixing Holes	Fixing Hole Size
3	45004	$\frac{7}{8}$	$1\frac{1}{8}$	$1\frac{1}{4}$		$1\frac{1}{8}$	2	$\frac{1}{8}$
3	52505	1	$1\frac{1}{8}$	$1\frac{1}{4}$		$1\frac{1}{16}$	2	$\frac{1}{8}$
2	43906	$1\frac{3}{8}$	$1\frac{1}{2}$	$1\frac{7}{8}$	$\frac{1}{2}$	$1\frac{3}{16}$	4	$\frac{1}{8}$
2	52606	$1\frac{3}{8}$	$1\frac{1}{2}$	$1\frac{1}{4}$	$\frac{1}{2}$	$1\frac{3}{16}$	4	$\frac{1}{8}$
2	52707	$1\frac{3}{8}$	$1\frac{1}{8}$	2	$\frac{1}{4}$	$1\frac{3}{16}$	4	$\frac{1}{8}$
2	52808	$1\frac{7}{8}$	$1\frac{1}{2}$	$2\frac{1}{4}$	1	$1\frac{1}{8}$	4	$\frac{1}{8}$
1	120/M/6	$1\frac{1}{4}$	$1\frac{7}{8}$	$2\frac{1}{16}$	$1\frac{1}{4}$	1	4	4 B.A.
1	120/M/8	$2\frac{1}{8}$	$1\frac{7}{8}$	$2\frac{1}{16}$	$1\frac{1}{2}$	1	4	4 B.A.
1	279/M/7	$2\frac{1}{4}$	$2\frac{1}{4}$	3	$1\frac{1}{2}$	$1\frac{1}{4}$	4	4 B.A.
1	279/M/10	$2\frac{3}{8}$	$2\frac{1}{4}$	3	$1\frac{7}{8}$	$1\frac{1}{4}$	4	4 B.A.
1	43/M/8	$2\frac{3}{8}$	$2\frac{1}{8}$	$3\frac{1}{2}$	$1\frac{1}{8}$	$1\frac{1}{2}$	4	4 B.A.
1	43/M/12	$2\frac{7}{8}$	$2\frac{1}{8}$	$3\frac{1}{2}$	$2\frac{1}{16}$	$1\frac{1}{2}$	4	4 B.A.
1	280/M/9	$2\frac{1}{2}$	$2\frac{1}{8}$	$3\frac{1}{2}$	$1\frac{7}{8}$	$1\frac{1}{8}$	4	4 B.A.
1	280/M/12	$3\frac{1}{2}$	$2\frac{1}{8}$	$3\frac{1}{2}$	$2\frac{1}{4}$	$1\frac{1}{8}$	4	4 B.A.
1	280/M/14	$3\frac{1}{2}$	$2\frac{1}{8}$	$3\frac{1}{2}$	$2\frac{1}{2}$	$1\frac{1}{8}$	4	4 B.A.
1	174/M/10	3	$3\frac{1}{8}$	$4\frac{1}{2}$	$1\frac{7}{8}$	$2\frac{3}{8}$	4	4 B.A.
1	174/M/14	$3\frac{1}{2}$	$3\frac{1}{8}$	$4\frac{1}{2}$	$2\frac{3}{8}$	$2\frac{3}{8}$	4	4 B.A.
1	173/M/12	$3\frac{3}{8}$	$3\frac{1}{4}$	5	$2\frac{1}{4}$	$2\frac{1}{2}$	4	2 B.A.
1	173/M/16	$4\frac{1}{8}$	$3\frac{3}{4}$	5	$2\frac{1}{4}$	$2\frac{1}{2}$	4	2 B.A.
1	248/M/14	4	$4\frac{1}{2}$	$5\frac{3}{8}$	$2\frac{1}{2}$	3	4	$\frac{1}{4}$ B.S.F.

Dimensions A.B.C. subject to tolerance of $\pm \frac{1}{16}$

GARDNERS RADIO

SOMERFORD - CHRISTCHURCH - HANTS
Telephone Christchurch 1734

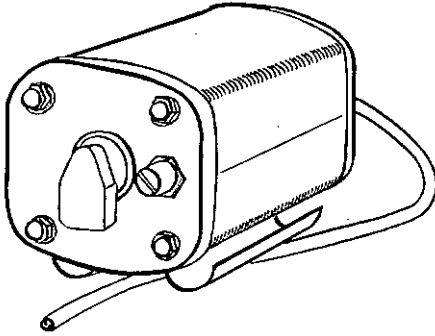
ISSUE V
March 1961

DRG A1965



CASTLE SERIES

Portable Transformers

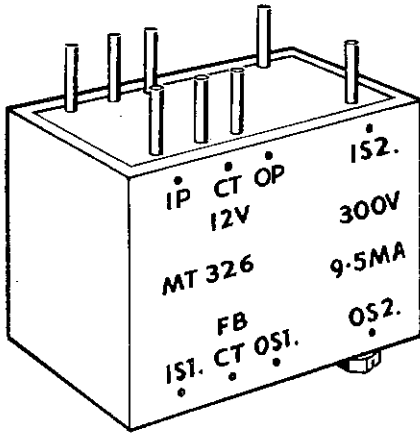


Castle Series Portable Transformers

A portable assembly intended for Auto, Isolating and Low Voltage transformers, equally suitable for floor or wall mounting. A flexible lead, five feet long, connects to the mains supply and an easily replaceable screw type fuse is incorporated in the mains circuit. A three-pin plug and socket is provided for the output, the third pin being used as an earthed centre tapping on the secondary winding. The case is attractively finished with silver-grey hammer stove enamel and plated parts.

All dimensions shown on this drawing are in inches

Size	Overall Dimensions			Weight lb.
	Width	Height	Can Length	
9/C/33	2 $\frac{1}{8}$	2 $\frac{1}{8}$	4 $\frac{1}{2}$	3 $\frac{1}{2}$
9/C/36	2 $\frac{1}{8}$	2 $\frac{1}{2}$	4 $\frac{1}{2}$	3 $\frac{1}{2}$
10/C/39	3 $\frac{1}{8}$	3 $\frac{1}{8}$	5 $\frac{1}{2}$	4 $\frac{1}{2}$
10/C/42	3 $\frac{1}{8}$	3 $\frac{3}{8}$	5 $\frac{1}{2}$	4 $\frac{1}{2}$
30/C/43	3 $\frac{1}{2}$	4	5 $\frac{1}{2}$	5 $\frac{1}{2}$
30/C/46	3 $\frac{1}{2}$	4	6	6 $\frac{1}{2}$
40/C/46	4 $\frac{1}{8}$	4 $\frac{1}{2}$	6	7 $\frac{1}{2}$
40/C/50	4 $\frac{1}{8}$	4 $\frac{1}{2}$	6 $\frac{1}{2}$	8
40/C/54	4 $\frac{1}{8}$	4 $\frac{1}{2}$	7	9
50/C/50	4 $\frac{1}{2}$	4 $\frac{7}{8}$	6 $\frac{1}{2}$	11
50/C/54	4 $\frac{1}{2}$	4 $\frac{7}{8}$	7	13 $\frac{1}{2}$
70/C/60	5 $\frac{1}{2}$	5 $\frac{1}{2}$	7 $\frac{1}{2}$	16
70/C/64	5 $\frac{1}{2}$	5 $\frac{1}{2}$	8 $\frac{1}{2}$	19
90/C/66	6 $\frac{1}{2}$	6 $\frac{1}{2}$	8 $\frac{1}{2}$	25
90/C/70	6 $\frac{1}{2}$	6 $\frac{1}{2}$	9	38



Forest Series

A series of moulds available for casting transformers and chokes in Epoxy resin. Terminals can on the smaller models be positioned for the standard printed circuit matrix to BS.3081.

All dimensions shown on this drawing are in inches.

Mould No.	Dimensions			Fixing Centres		
	A	B	C			
1	1 1/8	1 1/8	2			
2	2 1/16	1 1/16	1 1/16		1 1/8	6 B.A.
3	7/8	7/8	7/8	1/2	1/2	6 B.A.
4						
5						
6	3 1/4	3 1/4	3 1/4	3	2	2 B.A.
7	1 1/4	1 1/4	1 1/4			
8	1 1/16	1 1/16	1 1/16			
9						
10	1 1/2	1 1/2	1 1/2			
11	4 1/2	3 1/4	3 3/8	3 1/4	2 1/2	2 B.A.
12	1 1/4	1	1 1/4	7/8	7/8	6 B.A.
13	1 1/8	1 1/8	2			
14	2 7/16	2 3/8	2 3/8	1 1/4	1 1/4	4 B.A.
15L	5 1/4	4 1/4	6			
16						
17						
18	1 1/2	1 1/2	2 1/4	1 1/4	1 1/4	4 B.A.
19	3 1/16	2 1/4	4			
20						
21	6	4 3/8	8 1/4	3	3 3/8	
22	3 1/8	1 1/16	2 1/4	2 3/8	1 1/4	4 B.A.
23	3 1 1/2	1 1/2	2 1/4	1 1/4	3	4 B.A.
24	4 1/16	2 1/2	3	1 1/8	3 1/16	4 B.A.
25	4 1/8	2 1/4	4	1 1/4	4	2 B.A.
26	1 1/16	1 1/8	1 1/8	1 1/8	1 1/8	6 B.A.
27						
28						
29						
30						
31						
32						
33						
34						
35						
36						