

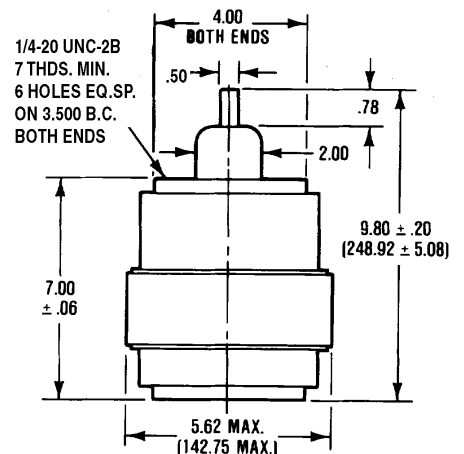


CVDP 1500, 2300 SPECIFICATIONS

| Model Number | Capacity Range (pF) | Voltage (kV) Peak | | Current Amps (RMS) Max. | Type | Nominal Dimensions | | Torque (in lbs.) Max. | Direct Pull (lbs.) Max. | Weight (nominal) |
|----------------|---------------------|-------------------|---------|-------------------------|---------|--------------------|---------------|-----------------------|-------------------------|------------------|
| | | Test | Working | | | Length (in/mm) | Diam. (in/mm) | | | |
| CVDP-1500-7.5S | 35-1500 | 7.5 | 4.5 | 150 | Ceramic | 9.80 / 248.92 | 5.56 / 142.75 | 8.0 | 84 | 9 lb. 14 oz. |
| CVDP-1500-10S | 35-1500 | 10 | 6.0 | 155 | Ceramic | 9.80 / 248.92 | 5.56 / 142.75 | 8.0 | 84 | 9 lb. 14 oz. |
| CVDP-1500-15S | 35-1500 | 15 | 9.0 | 160 | Ceramic | 9.80 / 248.92 | 5.56 / 142.75 | 8.0 | 84 | 9 lb. 14 oz. |
| CVDP-2300-7.5S | 50-2300 | 7.5 | 4.5 | 160 | Ceramic | 9.80 / 248.92 | 5.60 / 142.80 | 8.0 | 84 | 9 lb. 14 oz. |
| CVDP-2300-10S | 50-2300 | 10 | 6.0 | 180 | Ceramic | 9.80 / 248.92 | 5.60 / 142.80 | 8.0 | 84 | 9 lb. 14 oz. |
| CVDP-2300-15S | 50-2300 | 15 | 9.0 | 200 | Ceramic | 9.80 / 248.92 | 5.60 / 142.80 | 8.0 | 84 | 9 lb. 14 oz. |

NOTES:

Mounting: Both ends have tapped holes.





CAPACITANCE VS TURNS
CVDP-1500

